

# CA31

Date: February 10, 1998  
 Ref: CA031-0.DOC  
 Revision: 00  
 Author: SM

<b>Cable code</b>	CA31
<b>Description</b>	PLC Port to Mitsubishi FX Prog. Port
<b>Type of Communication</b>	RS422
<b>Panel Connector</b>	DA15S
<b>PLC Connector</b>	DB25P
<b>Notes</b>	

Table 1. Cable description

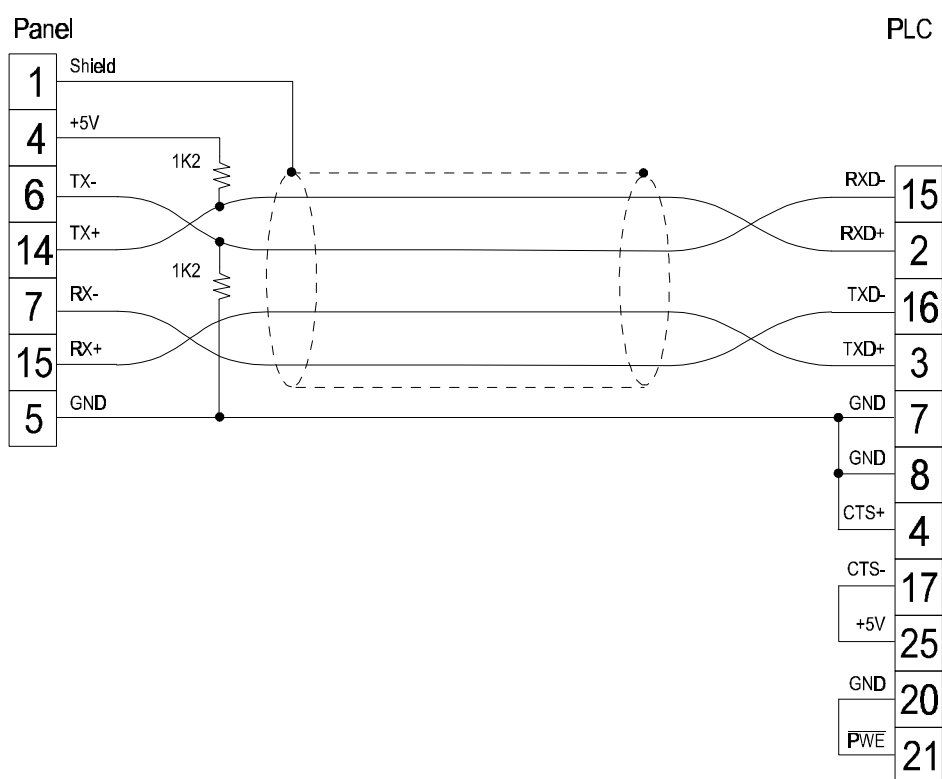


Figure 1. Cable diagram