

# CA91

Date: October 5, 1998  
 Ref: Ca091-0.doc  
 Revision: 00  
 Author: TT

<b>Cable code</b>	CA91
<b>Description</b>	PLC Port to GE CMM Port 1 or Port 2
<b>Type of Communication</b>	RS-232
<b>Panel Connector</b>	D-sub type 15S
<b>Controller Connector</b>	D-sub type 25P
<b>Notes</b>	

Table 1. Cable description

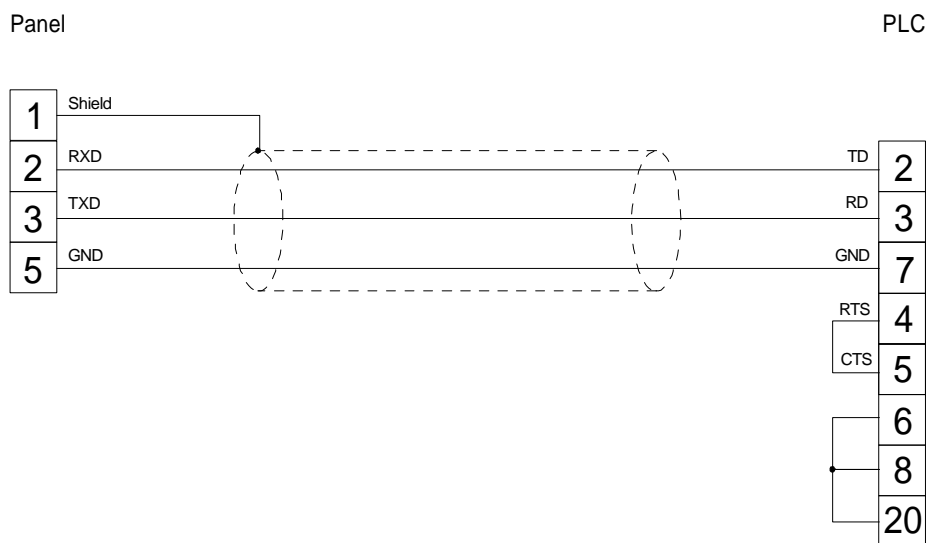


Figure 1. Cable diagram