

CA103

Date: December 4, 1996

Ref: Ca103-1

Revision: 01

Author:

| | |
|------------------------------|---|
| Cable code | CA103 |
| Description | UniOP PLC Port to Telemecanique TSX 47 Prog. Port |
| Type of Communication | RS-232/Current Loop 20 mA |
| Panel Connector | D-sub type 15S |
| PLC Connector | D-sub type 9P |
| Notes | This cable includes an RS-232 to Current Loop converter. The Current Loop interface is passive. |

table 1. Cable description

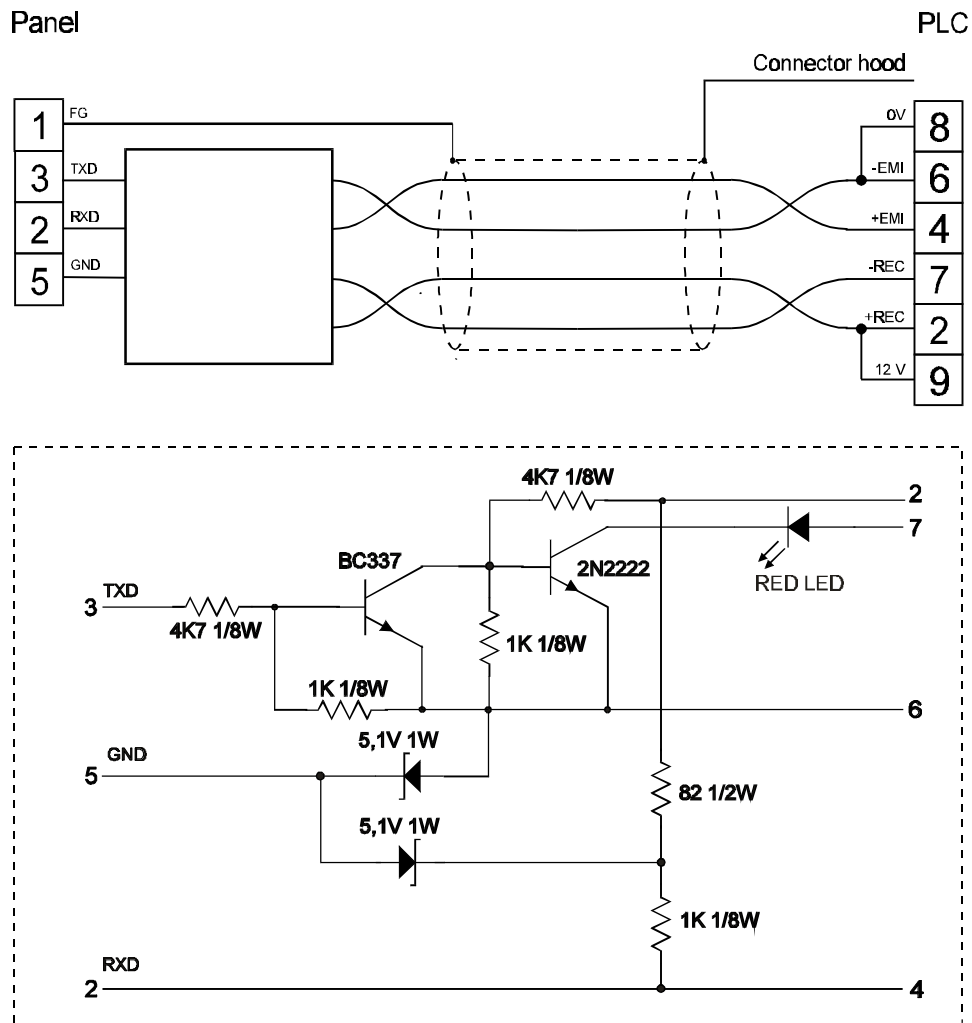


figure 1. Cable diagram