

## CA255

Date: April 15, 2011

Ref: CA255

Revision: 00

Author: AB

<b>Cable code</b>	CA255
<b>Description</b>	eTOP400/500 serie PLC Port to MPI Port
<b>Type of Communication</b>	RS-485
<b>Panel Connector</b>	D-sub type 9P
<b>PLC Connector</b>	D-sub type 9P
<b>Notes</b>	Compatible <b>only</b> with serie 400/500 operator panels. <b>Warning: panel and plc uses the same connector type, make sure to connect the cable on the right side as a wrong connection can causate damages.</b>

table 1. Cable description

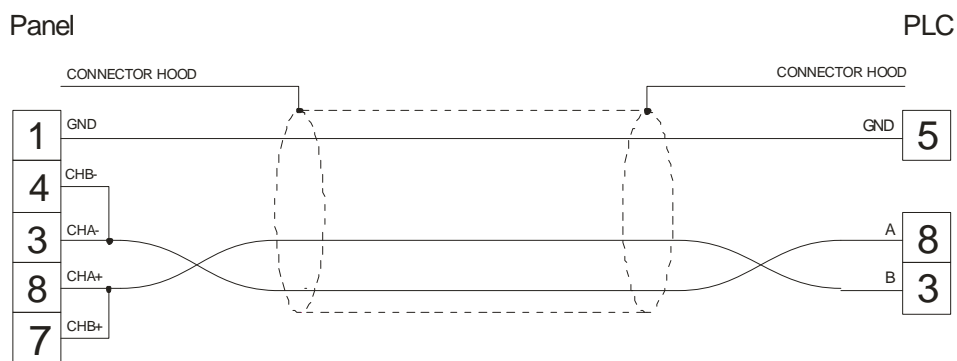


figure 1. Cable diagram