

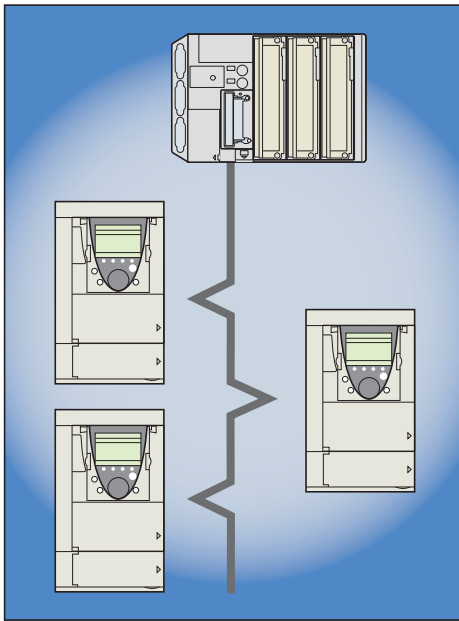
Altivar 61

Communication parameters

User's manual

Software V5.8

02/2013



Contents

Document structure and directions for use	5
Presentation	6
Software enhancements	8
Enhancements made to version V1.2 in comparison to V1.1	8
Enhancements made to version V1.4 in comparison to V1.2	8
Enhancements made to version V1.5 in comparison to V1.4	9
Enhancements made to version V1.8 in comparison to V1.6	9
Enhancements made to version V2.1 in comparison to V1.8	9
Enhancements made to version V5.8 in comparison to V2.1	9
Notations	10
Description of parameters	10
Drive terminal displays	10
Profiles	11
What is a profile?	11
Functional profiles supported by Altivar 61 drives	12
I/O profile	13
Definition	13
Control word - run on state [2 wire] (2C)	15
Control word - run on edge [3 wire] (3C)	16
Status word (ETA)	17
CiA402 profile	18
Functional description	18
CiA402 state chart	19
Description of states	20
Control word (CMD)	22
Status word (ETA)	24
Starting sequence	25
Sequence for a drive powered by the power section line supply	26
Sequence for a drive with separate control section	28
Sequence for a drive with line contactor control	31
Command/reference switching	34
Channels	34
Not separate mode	35
Separate mode	35
Switching in not separate mode	36
Switching in separate mode	36
Channel switching	37
Reference switching principle	39
Command switching principle	40
Assigning control word bits	41
Copy on switching	44
Forced local mode	45
Definition	45
Forced local mode and reference switching	46
Forced local mode and command switching	47
Priority stops	49
Priority stops on the graphic display terminal	49
Priority stops via the terminals or the network	49
Communication monitoring	51
Principle	51
Network monitoring criteria	51
Behavior in the event of a network fault	52
Detailed operation	53
Assignment of references from a network	55
Reference parameters	55
Without PID regulator	56
With PID regulator	57
Configuration saving and switching	58
Saving the configuration	58
Restore configuration	60
Configuration switching via control word	61
Configuration switching by selection	65
Parameter set switching	67
Loading drive parameters	72
Requirement	72
Procedure	72
Command parameters	74
Setpoint parameters	77

Contents

Status parameters	79
Output value parameters	87
Output values (speed)	87
Output values (torque)	88
Output values (motor)	89
Reference parameters	90
References (speed)	90
References (regulator)	92
Input measurements	92
Thermal states	93
Time	94
I/O parameters	96
Logic I/O	96
Analog inputs	97
Analog outputs	98
Encoder	99
Fault parameters	100
Log parameters	107
Description of last fault log	107
Log of the following faults	111
Identification parameters	115
CiA402 standard configuration and adjustment parameters	118
ODVA standard configuration and adjustment parameters	122
Index of parameter codes	123

Document structure and directions for use

Installation Manual

This manual describes:

- Assembly
- How to connect the drive

Programming manual

This manual describes:

- Functions
- Parameters
- Use of the drive terminal (integrated display terminal and graphic display terminal)

Communication Parameters Manual

This manual describes:

- The operating modes specific to communication (state chart)
- The interaction between communication and local control
- The control, reference and monitoring parameters with specific information for use via a bus or communication network

It does not include the drive adjustment and configuration parameters, which are contained in the Excel file supplied as an appendix.

All the parameters are grouped together in an Excel file supplied as an appendix, with the following data:

- Code
- Name
- Addresses: logical, CANopen, INTERBUS, DeviceNet
- Category
- Read/write access
- Type: signed numerical, unsigned numerical, etc.
- Unit
- Factory setting
- Minimum value
- Maximum value
- Display on graphic display terminal and 7-segment integrated display terminal
- Menu concerned

This file offers the option of sorting and arranging the data according to any criterion chosen by the user.

Data relating to operation, interdependences and limits of use are described in the Programming Manual.

The various documents are to be used as follows:

1. Design and programming of the drive with the Programming Manual
2. Design and programming of the communication with the Parameters Manual
3. Definition of addresses and any values of the adjustment and configuration parameters to be modified by communication with the parameter files

The section entitled "Loading drive parameters" on page [72](#) describes the recommended procedure for loading parameters through communication.

Modbus, CANopen, Ethernet, Profibus, INTERBUS, Uni-Telway, FIPIO, Modbus Plus and DeviceNet, etc., manuals

These manuals describe:

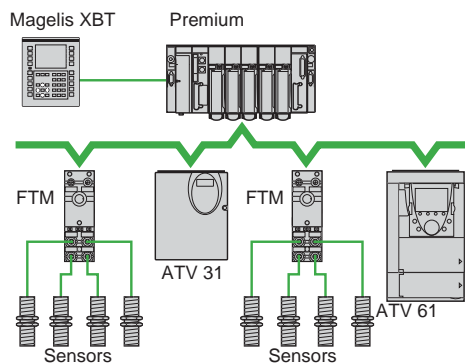
- Assembly
- Connection to the bus or network
- Diagnostics
- Configuration of parameters specific to communication via the integrated display terminal or the graphic display terminal

They describe the protocol communication services in detail.

ATV 38/ATV 61 Migration Manual

This manual describes the differences between the Altivar 61 and the Altivar 38 and explains how to replace an Altivar 38, including how to replace drives communicating on a bus or a network.

Presentation



Example of configuration on the CANopen bus

The Altivar 61 drive has been designed to meet all the configuration requirements encountered within the context of industrial communication installations.

It includes Modbus and CANopen communication protocols as standard.

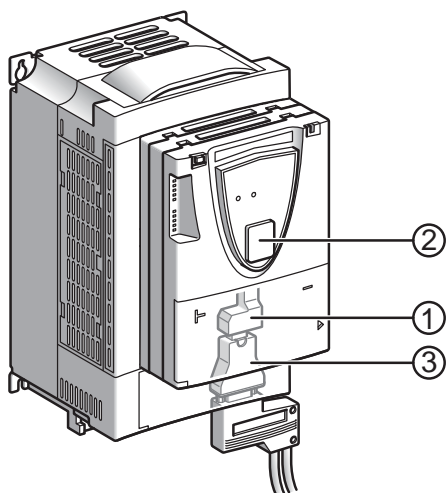
Two integrated communication ports enable direct access to the Modbus protocol:

- One RJ45 Modbus connector port ②, located on the drive front panel, which is used to connect:
 - The remote graphic display terminal
 - A Magelis industrial HMI terminal
 - The PowerSuite software workshop
- One RJ45 Modbus network port ①, located on the drive's control terminals, which is dedicated to control and signaling by a PLC or other type of controller. It can also be used to connect a display terminal or the PowerSuite software workshop.

The CANopen protocol can be accessed from the Modbus network port via the CANopen adapter ③ (1).

The Altivar 61 can also be connected to other networks and industrial communication buses by using one of the communication option cards:

- Ethernet TCP/IP
- Modbus/Uni-Telway. This card provides access to additional functions, which complement those of the integrated ports (Modbus ASCII and 4-wire RS 485)
- Fipio
- Modbus Plus
- Profibus DP
- DeviceNet
- INTERBUS
- etc. (Please refer to the catalog)



② The control section can be powered separately, thus allowing communication (monitoring, diagnostics) to be maintained even if the power supply section fails.

① The main communication functions of Altivar 38 drives are compatible with the Altivar 61 (2):

- Connection
- Communication services
- Drive behavior (profile)
- Control and monitoring parameters
- Basic adjustment parameters

The PowerSuite software workshop supports the transfer of configurations from Altivar 38 drives to Altivar 61.

(1) If the CANopen adapter is installed, Modbus will not be available on the network port ①.

(2) Please refer to the ATV 38/ATV 61 Migration Manual supplied on the documentation CD-ROM.

Presentation

All the drive functions are accessible via the network:

- Control
- Monitoring
- Adjustment
- Configuration

If the "Controller Inside" programmable card is installed on the drive, its variables (%MW, etc.) can be accessed via the integrated Modbus ports or the Ethernet option card.

The speed/torque control and reference can come from different sources:

- The I/O terminals
- The communication network
- The "Controller Inside" programmable card
- The remote graphic display terminal
- The PowerSuite software workshop (for commissioning and maintenance)

The Altivar 61 drive's advanced functions can be used to manage switching of these control and reference sources according to the application requirements.

The periodic communication variables can be selected via:

- The network configuration software (Sycon, etc.): CANopen, DeviceNet
- The Altivar 61 drive's communication scanner function: Profibus DP, Fipio, Modbus Plus
- The network's IO Scanner function: Ethernet TCP/IP

With the exception of DeviceNet, regardless of network type, the Altivar 61 can be controlled:

- In accordance with the Drivecom profile (CANopen CiA DSP 402)
- In accordance with the I/O profile, whereby control is as straightforward and flexible as control via the I/O terminals

The DeviceNet card supports the ODVA standard profile.

Communication is monitored according to criteria specific to each protocol. Regardless of protocol type, the reaction of the drive to a communication fault can be configured:

- Drive fault involving: Freewheel stop, stop on ramp, fast stop or braked stop
- Stop without drive fault
- Maintain the last command received
- Fallback position at a predefined speed
- Ignore the fault

A command from the CANopen bus is handled with the same priority as an input from the drive terminals. This enables very good response times to be achieved on the network port via the CANopen adapter.

Software enhancements

Since the Altivar ATV 61 was first launched, it has benefited from the addition of several new functions. The software version is now V5.8. Although this documentation relates to version V5.8, it can still be used with earlier versions. The software version is indicated on the nameplate attached to the body of the drive.

Enhancements made to version V1.2 in comparison to V1.1

New parameters and functions

Option of operating with a BACnet communication card

[1.8 FAULT MANAGEMENT] (FLt) menu

- The external fault [EXTERNAL FAULT] (EtF-) can now be configured in positive or negative logic via [External fault config.] (LEt).

Enhancements made to version V1.4 in comparison to V1.2

Factory setting



Note: In versions V1.1 and V1.2, analog output AO1 was assigned to the motor frequency. In the new version, this output is not assigned.

With the exception of this parameter, the factory settings of versions V1.1 and V1.2 remain the same in the new version. The new functions are inactive in the factory setting.

New parameters and functions

[1.2 MONITORING] (SUP-) menu

Addition of states and internal values relating to the new functions described below.

[1.3 SETTINGS] (SEt-) menu

- [High torque thd.] (ttH)
- [Low torque thd.] (ttL)
- [Pulse warning thd.] (FqL)
- [Freewheel stop Thd] (FFt)

[1.4 MOTOR CONTROL] (drC-) menu

- Extension of the following configurations to all drive ratings (previously limited to 45 kW (60 HP) for ATV61●●●M3X and to 75 kW (100 HP) for ATV61●●●N4): synchronous motor [Sync. mot.] (SYn), sinus filter [Sinus filter] (OFI), noise reduction [Noise reduction] (nrd), braking balance [Braking balance] (bbA).

[1.5 INPUTS / OUTPUTS CFG] (I-O-) menu

- [AI net. channel] (AIC1)
- New options for assigning relays and logic outputs: torque greater than high threshold, torque lower than low threshold, motor in forward rotation, motor in reverse rotation, measured speed threshold attained.
- Analog output AO1 can now be used as a logic output and assigned to relay functions and logic outputs.
- New option of modifying the scaling of analog outputs using the parameters [Scaling AOx min] (ASLx) and [Scaling AOx max] (ASHx).
- New options for assigning analog outputs: signed motor torque and measured motor speed.
- New options for assigning alarm groups: torque greater than high threshold, torque less than low threshold, measured speed threshold attained.

[1.7 APPLICATION FUNCT.] (Fun-) menu

- The summing, subtraction and multiplication reference functions can now be assigned to virtual input [Network AI] (AIU1).
- New parameter [Freewheel stop Thd] (FFt) used to adjust a threshold for switching to freewheel at the end of a stop on ramp or fast stop.
- The torque limitation [TORQUE LIMITATION] (tOL-) can now be configured in whole % or in 0.1% increments using [Torque increment] (IntP) and assigned to virtual input [Network AI] (AIU1).
- New Damper control function using the [DAMPERMANAGEMENT] (dAM-) menu.
- Parameter switching [PARAM. SET SWITCHING] (MLP-) can now be assigned to attained frequency thresholds [Freq. Th. attain.] (FtA) and [Freq. Th. 2 attain.] (F2A).

Software enhancements

[1.8 FAULT MANAGEMENT] (FLt-) menu

- Option to reinitialize the drive without turning it off, via [Product reset] (rP).
- Option to reinitialize the drive via a logic input without turning it off, using [Product reset assig.] (rPA).
- The option to configure the "output phase loss" fault [Output Phase Loss] (OPL) to [Output cut] (OAC) has been extended to all drive ratings (previously limited to 45 kW (60 HP) for ATV61●●●M3X and 75 kW (100 HP) for ATV61●●●N4).
- New monitoring function based on speed measurement using "Pulse input" input, via the [FREQUENCY METER] (FqF-) menu.
- The braking unit short-circuit fault can now be configured using [Brake res. fault Mgt] bUb).
- The [Damper stuck] (Fd1) fault in the Damper control function can be configured via [DAMPER FAULT MGT.] (FdL-).

Enhancements made to version V1.5 in comparison to V1.4

Extension of the range with addition of the drives ATV61●●●Y for network 500 to 690 V.
The ranges of adjustment and factory settings of some parameters are adapted to the new voltage.

[1.5 INPUTS / OUTPUTS CFG] (I-O-) menu

Increase in adjustment range of delay parameters for relays and logic outputs : 0 to 60000 ms instead of 0 to 9999 ms.

[1.7 APPLICATION FUNCT.] (Fun-) menu

- New parameter [Conf. sensor flow] (LnS) allowing to adjust the sensor of null flow in positive or negative logic.

Enhancements made to version V1.6 in comparison to V1.5

The communication card APOGEE FLN P1 (VW3 A3 314) is fully supported with the version V1.6 and above of the Altivar 61 software.

Enhancements made to version V1.8 in comparison to V1.6

[7 DISPLAY CONFIG.] menu

Addition in [7.4 KEYPAD PARAMETERS] of [Power up menu] parameter. This parameter allows to choose the menu which is displayed on the drive on power up.

Enhancements made to version V2.1 in comparison to V1.8

[1.7 APPLICATION FUNCT.] (Fun-) menu

New parameters and functions

- New parameter [Regen. Conenction] (OLr). With this parameter it is possible to return the braking energy to the mains.
- New parameter [Dis. operat opt code] (dOtd).

Enhancements made to version V5.8 in comparison to V2.1

Motor frequency range

The maximum output frequency has been limited to 599 Hz.

[1.5 INPUTS / OUTPUTS CFG] (I-O-) menu

New parameter and function

New methods of assigning logic output, [R1 Assignment] (r1): [Drive start] (Strt).

New factory setting

- [Motor control type] (Ctt) has been modified, [Energy Sav.] (nLd) to [V/F 2pts] (UF2).
- [IGBT test] (Strt) has been modified, [No] (nO) to [Yes] (YES).
- [Dis. operat opt code] (dOtd) has been modified, [Freewheel] (nSt) to [Ramp stop] (rMP).

1.7 APPLICATION FUNCT.] (FUN-) menu

New parameter and function

- New parameter [Pmax Motor] (tPMM).
- New parameter [Pmax Generator] (tPMG).

Notations

Description of parameters

Identification

A parameter is defined by means of various character strings:

- Code: 4 characters max. The code makes it possible to identify the parameter on the integrated 7-segment display terminal (Examples: **brt**, **tLIG**)
- Name: Description in plain text (used by the PowerSuite software workshop)
- Terminal name: Character string in square brackets for the graphic display terminal [**Gen. torque lim**]

Addresses

There are 4 formats for specifying parameter addresses:

- Logic address: Address for Modbus messaging (RS485 and Ethernet TCI/IP) and the PKW indexed periodic variables (Fipio, Profibus DP), in decimal and hexadecimal (preceded by 16#) format.
To optimize Modbus messaging performance, two addresses are given for the control word and the status word. The addresses annotated "speed" are for use in rpm; the addresses annotated "frequency" are for use in Hz.
- CANopen index: CANopen index/subindex in hexadecimal, to be used for PDO and SDO messaging variable assignment.
- INTERBUS index: Index/subindex in hexadecimal for PCP messaging.
- DeviceNet path: Class/instance/attribute in hexadecimal.

Read/write

- R: Read only
- R/W: Read and write
- R/WS: Read and write, but write only possible when motor is at standstill

Type

- WORD (bit register): Word where each bit represents an item of command, monitoring or configuration information
- WORD (listing): Word where each value represents a possible choice for a configuration or state
- INT: Signed integer
- UINT: Unsigned integer
- DINT: Signed double integer
- UDINT: Unsigned double integer

Format

Hexadecimal values are written as follows: 16#●●●●

Drive terminal displays

The menus that appear on the graphic display terminal are shown in square brackets.

Example: **[1.9 COMMUNICATION]**

The menus that appear on the integrated 7-segment display terminal always end with a dash and appear between round brackets.

Example: **(COM-)**

Parameter names are displayed on the remote graphic display terminal in square brackets.

Example: **[Fallback speed]**

The parameter codes displayed on the integrated 7-segment display terminal are shown in round brackets.

Example: **(LFF)**

Profiles

What is a profile?

There are three types of profile:

- Communication profiles
- Functional profiles
- Application profiles

Communication profiles

A communication profile describes the characteristics of the bus or network:

- Cables
- Connectors
- Electrical characteristics
- Access protocol
- Addressing system
- Periodic exchange service
- Messaging service
- etc.

A communication profile is unique to a type of network (Fipio, Profibus DP, etc.) and is used by various different types of device.

Functional profiles

A functional profile describes the behavior of a type of device. It defines:

- Functions
- The parameters (name, format, unit, type, etc.)
- The periodic I/O variables
- State chart(s)
- etc.

A functional profile is common to all members of a device family (variable speed drives, encoders, I/O modules, displays, etc.).

Ideally, functional profiles should be network-independent, but in reality they are not. They can feature common or similar parts. The standardized (IEC 61800-7) functional profiles of variable speed drives are:

- CiA402
- PROFIDRIVE
- CIP

DRIVECOM has been available since 1991.

CiA402 "Device profile for drives and motion control" represents the next stage of this standard's development and is maintained by Can In Automation.

Some protocols also support the ODVA (Open DeviceNet Vendor Association) profile.

Application profiles

Application profiles define in their entirety the services to be provided by the devices on a machine. E.g. profile for elevators "CiA DSP 417-2 V 1.01 part 2: CANopen application profile for lift control systems - virtual device definitions".

Interchangeability

The aim of communication and functional profiles is to achieve interchangeability of the devices connected via the network.

Although this aim is not always achieved, the profiles facilitate free competition.

Functional profiles supported by Altivar 61 drives

I/O profile

Using the I/O profile simplifies PLC programming.

When controlling via the terminals or the display terminal, the I/O profile is used without knowing it. With an Altivar 61, the I/O profile can also be used when controlling via a network.

The drive starts up as soon as the run command is sent. The 16 bits of the control word can be assigned to a function or a terminal input.

This profile can be developed for simultaneous control of the drive via:

- The terminals
- The Modbus control word
- The CANopen control word
- The network card control word
- The "Controller Inside" control word

The I/O profile is supported by the drive itself and therefore in turn by all the communication ports (integrated Modbus, CANopen and the Ethernet, Fipio, ModbusPlus, Modbus, Uni-Telway, Profibus DP, DeviceNet, and INTERBUS communication cards).

CiA402 profile

The drive only starts up following a command sequence. The control word is standardized. 5 bits of the control word (bits 11 to 15) can be assigned to a function or a terminal input.

The CiA402 profile is supported by the drive itself and therefore in turn by all the communication ports (integrated Modbus, CANopen and the Ethernet, Fipio, ModbusPlus, Modbus, Uni-Telway, Profibus DP, DeviceNet, and INTERBUS communication cards).

The Altivar 61 supports the CiA402 profile's "Velocity mode".

In the CiA402 profile, there are two modes that are specific to the Altivar 61 and characterize command and reference management (see section "Command/reference switching", page [34](#)):

- Separate mode **[Separate] (SEP)**
- Not separate mode **[Not separ.] (SIM)**

ODVA profile

The drive starts up as soon as the run command is sent. The control word is standardized.

The ODVA profile is supported by the DeviceNet communication card.

I/O profile

Definition

The behavior of the drive is identical whether via the network or via the terminals.
The I/O profile is achieved via the following configuration:

Menu	Parameter	Value
[1.6 - COMMAND] (CtL-)	[Profile] (CHCF)	[I/O profile] (IO)

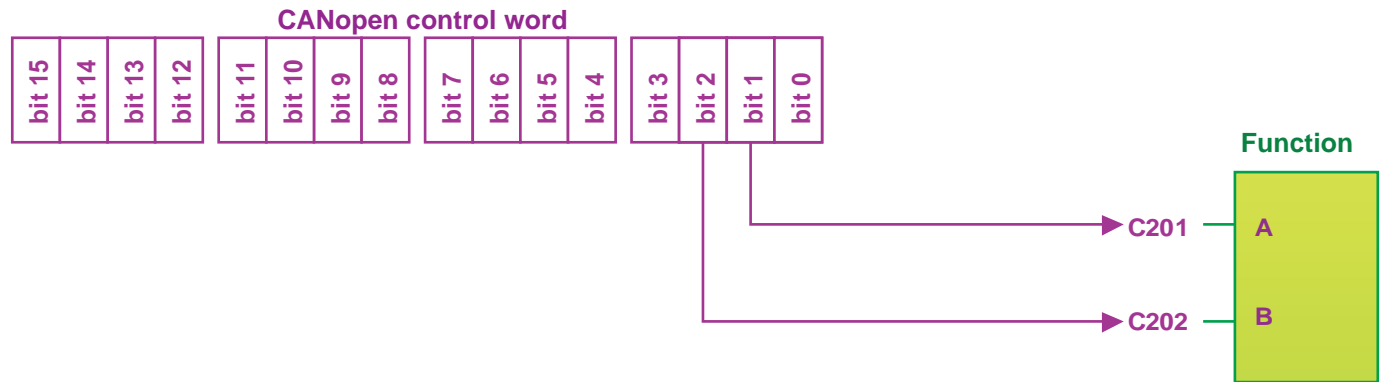
As well as to logic inputs of the terminals, drive functions can be assigned to control word bits.

A function input can be assigned to:

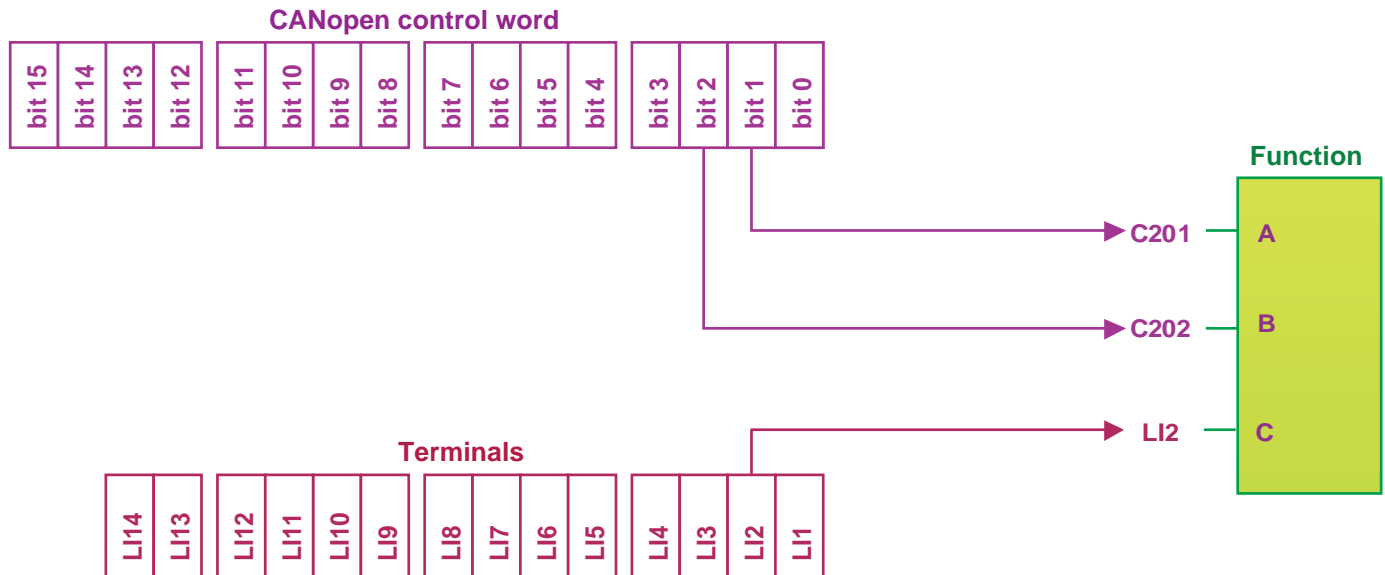
- A terminal input (LI2 to LI14)
- A Modbus control word bit (C101 to C115)
- A CANopen control word bit (C201 to C215)
- A network card control word bit (C301 to C315)
- A Controller Inside control word bit (C401 to C415)
- A switched bit (Cd00 to Cd15): See "Command/reference switching" section.

Schematic diagrams:

Fixed assignment on CANopen:

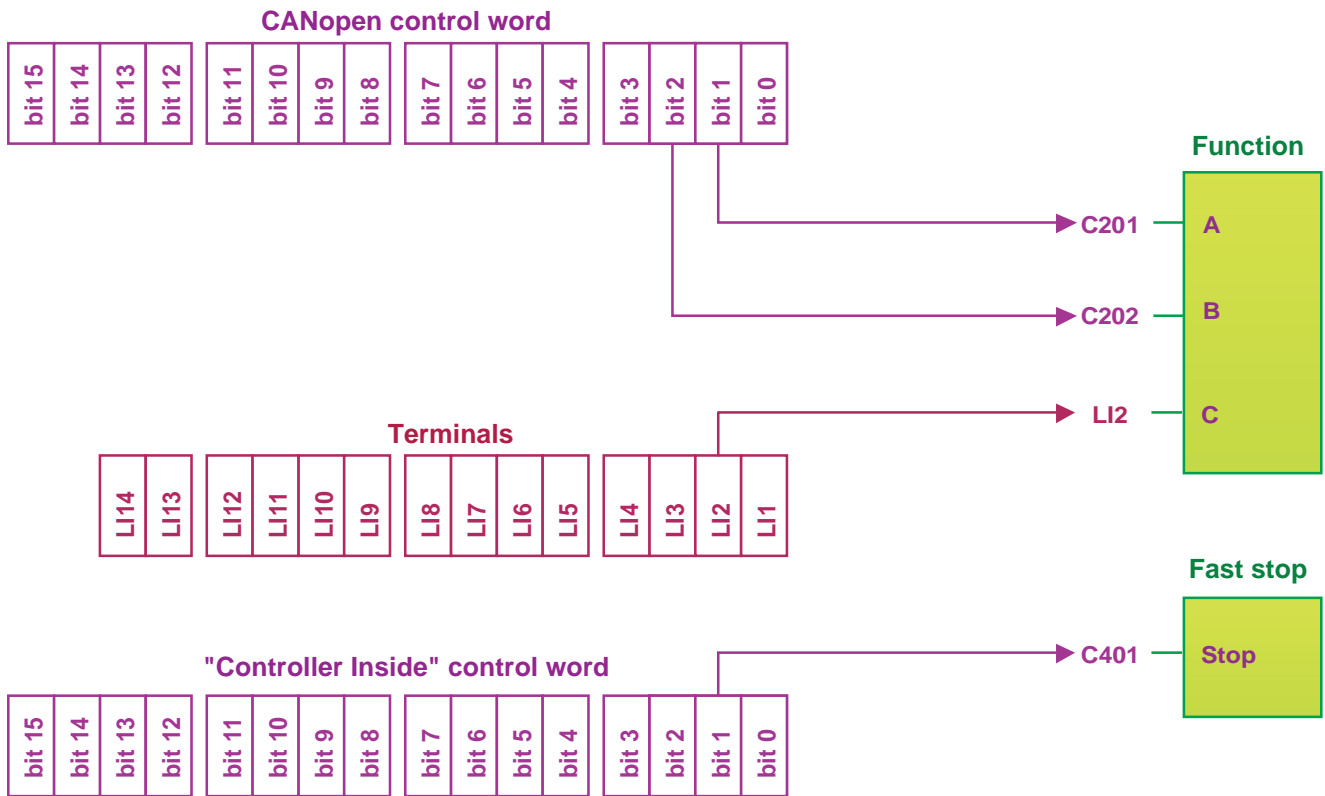


Fixed assignment to terminals and on CANopen:

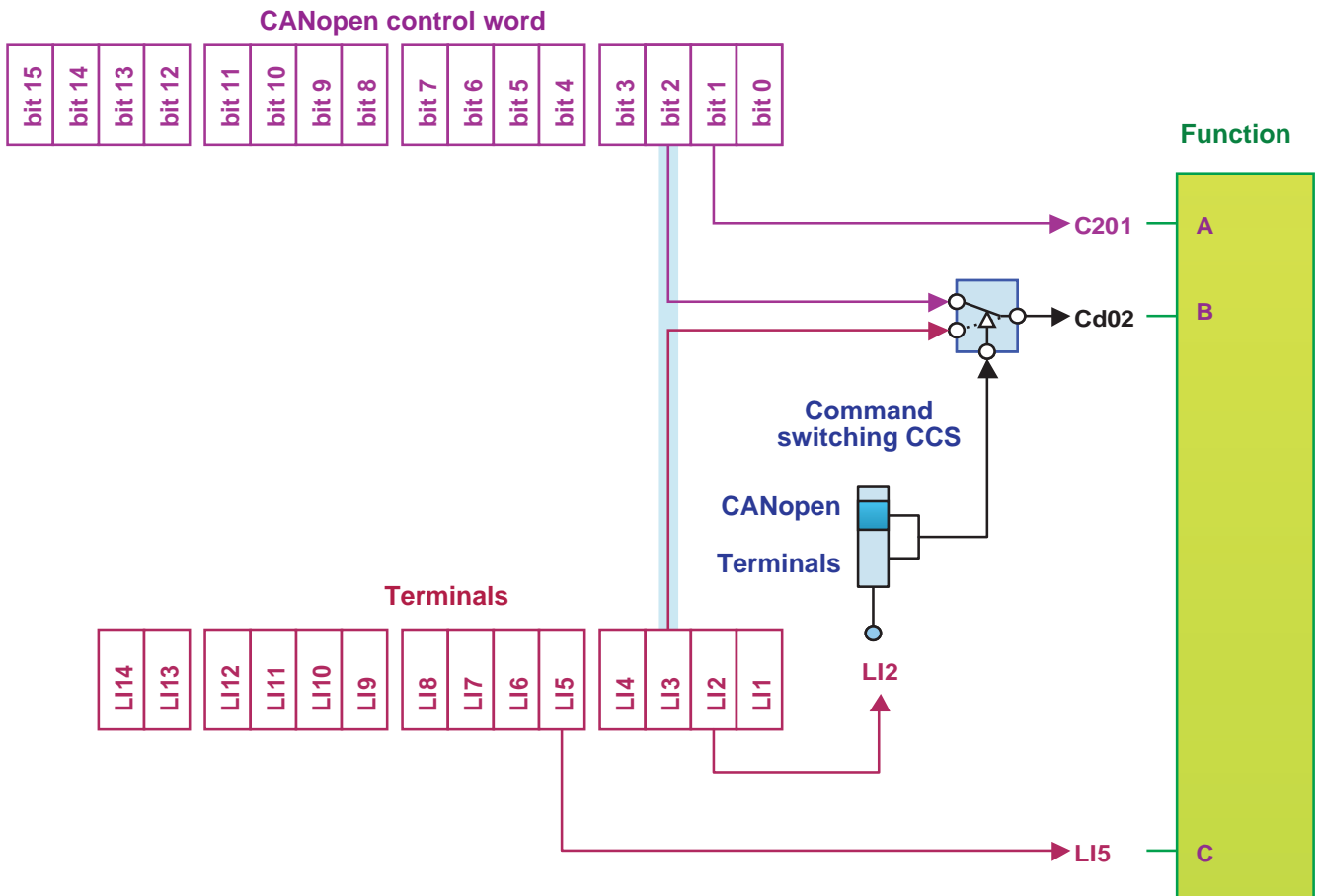


I/O profile

Fixed assignment to terminals, on CANopen and on "Controller Inside" card:



Fixed assignment to terminals and on CANopen with command switching:



I/O profile

Control word - run on state [2 wire] (2C)

Please refer to the [1.5 INPUTS / OUTPUTS CFG] (I-O-) section of the Programming Manual.

The forward run command is automatically assigned to input LI1 and to bit 0 of the various control words.

This assignment cannot be modified.

The run command is active on state 1:

- Of input LI1, if the terminals are active
- Of bit 0 of the control word, if the network is active

Bits 1 to 15 of the control words can be assigned to drive functions.

bit 7	bit 6	bit 5	bit 4
Configurable	Configurable	Configurable	Configurable

bit 3	bit 2	bit 1	bit 0
Configurable	Configurable	Configurable	Forward

bit 15	bit 14	bit 13	bit 12
Configurable	Configurable	Configurable	Configurable

bit 11	bit 10	bit 9	bit 8
Configurable	Configurable	Configurable	Configurable

In the case of a [2 wire] (2C) run on state command and I/O profile, fixed assignment of a function input is possible using the following codes:

Bit	Fixed assignments						
	Drive terminals	Logic I/O card	Extended I/O card	Modbus	CANopen	Network card	"ControllerInside" card
bit 0	Forward						
bit 1	LI2	-	-	C101	C201	C301	C401
bit 2	LI3	-	-	C102	C202	C302	C402
bit 3	LI4	-	-	C103	C203	C303	C403
bit 4	LI5	-	-	C104	C204	C304	C404
bit 5	LI6	-	-	C105	C205	C305	C405
bit 6	-	LI7	-	C106	C206	C306	C406
bit 7	-	LI8	-	C107	C207	C307	C407
bit 8	-	LI9	-	C108	C208	C308	C408
bit 9	-	LI10	-	C109	C209	C309	C409
bit 10	-	-	LI11	C110	C210	C310	C410
bit 11	-	-	LI12	C111	C211	C311	C411
bit 12	-	-	LI13	C112	C212	C312	C412
bit 13	-	-	LI14	C113	C213	C313	C413
bit 14	-	-	-	C114	C214	C314	C414
bit 15	-	-	-	C115	C215	C315	C415

For example, to assign the operating direction command to bit 1 of CANopen, simply configure the [Reverse assign.] (rrS) parameter with the value [C201] (C201).

Control word - run on edge [3 wire] (3C)

Please refer to the [\[1.5 INPUTS / OUTPUTS CFG\] \(I-O-\)](#) section of the Programming Manual.

The stop command is automatically assigned to input **LI1** and to bit 0 of the control words.

This assignment cannot be modified.

This command enables running on state 1:

- Of input **LI1**, if the terminals are active
- Of bit 0 of the control word, if the network is active

The forward run command is automatically assigned to input **LI2** and to bit 1 of the control words.

This assignment cannot be modified.

The forward run command is active if the stop command is at 1 and on a rising edge (0 → 1):

- Of input **LI2**, if the terminals are active
- Of bit 1 of the control word, if the network is active

Bits 2 to 15 of the control words can be assigned to drive functions.

bit 7	bit 6	bit 5	bit 4
Configurable	Configurable	Configurable	Configurable

bit 3	bit 2	bit 1	bit 0
Configurable	Configurable	Forward	Stop

bit 15	bit 14	bit 13	bit 12
Configurable	Configurable	Configurable	Configurable

bit 11	bit 10	bit 9	bit 8
Configurable	Configurable	Configurable	Configurable

In the case of a [\[3 wire\] \(3C\)](#) run on state command and I/O profile, fixed assignment of a function input is possible using the following codes:

Bit	Fixed assignments						
	Drive terminals	Logic I/O card	Extended I/O card	Modbus	CANopen	Network card	"ControllerInside" card
bit 0	Authorization to run (Stop)						
bit 1	Forward						
bit 2	LI3	-	-	C102	C202	C302	C402
bit 3	LI4	-	-	C103	C203	C303	C403
bit 4	LI5	-	-	C104	C204	C304	C404
bit 5	LI6	-	-	C105	C205	C305	C405
bit 6	-	LI7	-	C106	C206	C306	C406
bit 7	-	LI8	-	C107	C207	C307	C407
bit 8	-	LI9	-	C108	C208	C308	C408
bit 9	-	LI10	-	C109	C209	C309	C409
bit 10	-	-	LI11	C110	C210	C310	C410
bit 11	-	-	LI12	C111	C211	C311	C411
bit 12	-	-	LI13	C112	C212	C312	C412
bit 13	-	-	LI14	C113	C213	C313	C413
bit 14	-	-	-	C114	C214	C314	C414
bit 15	-	-	-	C115	C215	C315	C415

For example, to assign the operating direction command to bit 2 of CANopen, simply configure the [\[Reverse assign.\] \(rRS\)](#) parameter with the value [\[C202\] \(C202\)](#).

I/O profile

Status word (ETA)

bit 7	bit 6	bit 5	bit 4	bit 3	bit 2	bit 1	bit 0
Alarm	Reserved (= 0 or 1)	Reserved (= 1)	Power section line supply present	Fault	Running	Ready	Reserved (= 0 or 1)

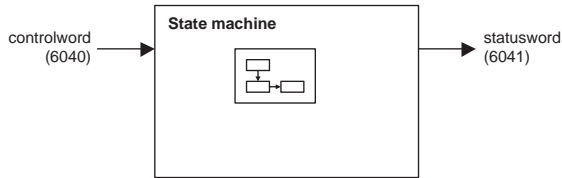
bit 15	bit 14	bit 13	bit 12	bit 11	bit 10	bit 9	bit 8
Direction of rotation	Stop via STOP key	Reserved (= 0)	Reserved (= 0)	Reference outside limits	Reference reached	Command or reference via network	Reserved (= 0)

The status word is identical in the I/O profile and the CiA402 profile. For more detailed information, refer to section "CiA402 profile", page [18](#).

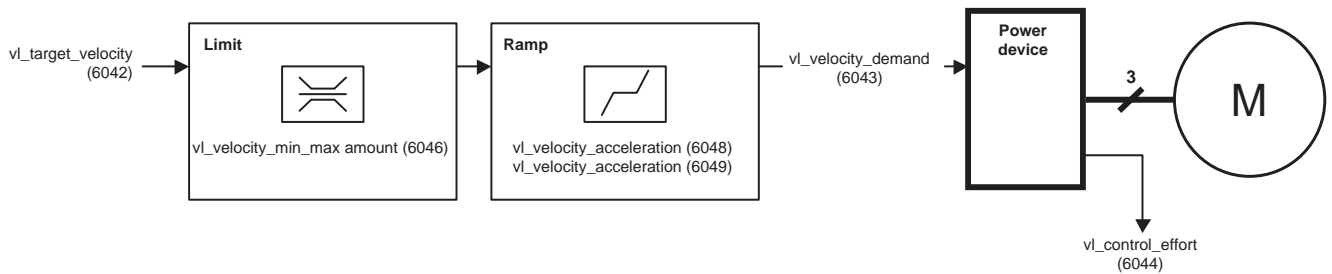
Functional description

- The operation of the drive can be summarized by 2 main functions, described by the following 2 diagrams (the values in brackets are the CANopen addresses of the parameters):

- Control diagram:



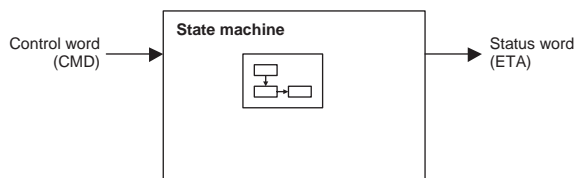
- Simplified diagram of the speed control in "Velocity" mode:



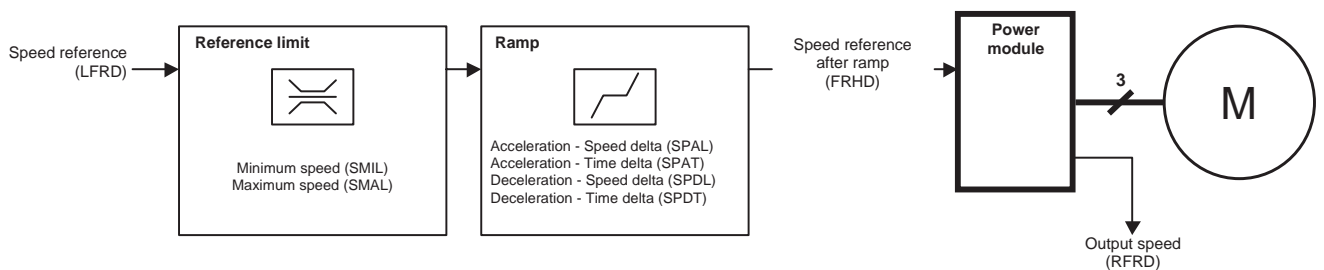
- The main parameters are shown with their CiA402 name and their CiA402/Drivecom index (the values in brackets are the parameter codes).

These diagrams translate as follows for the Altivar system:

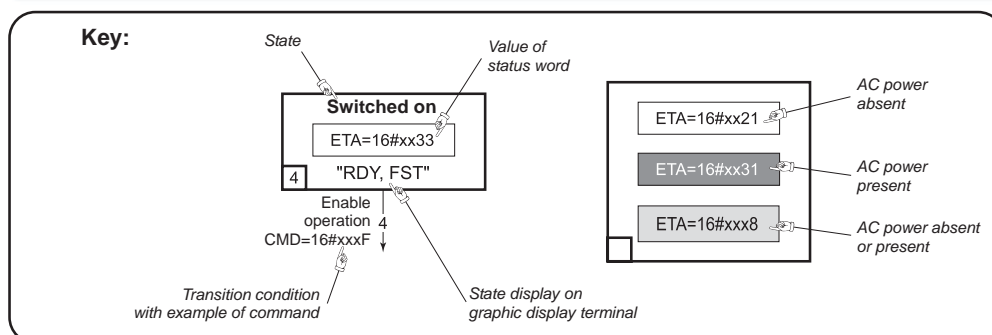
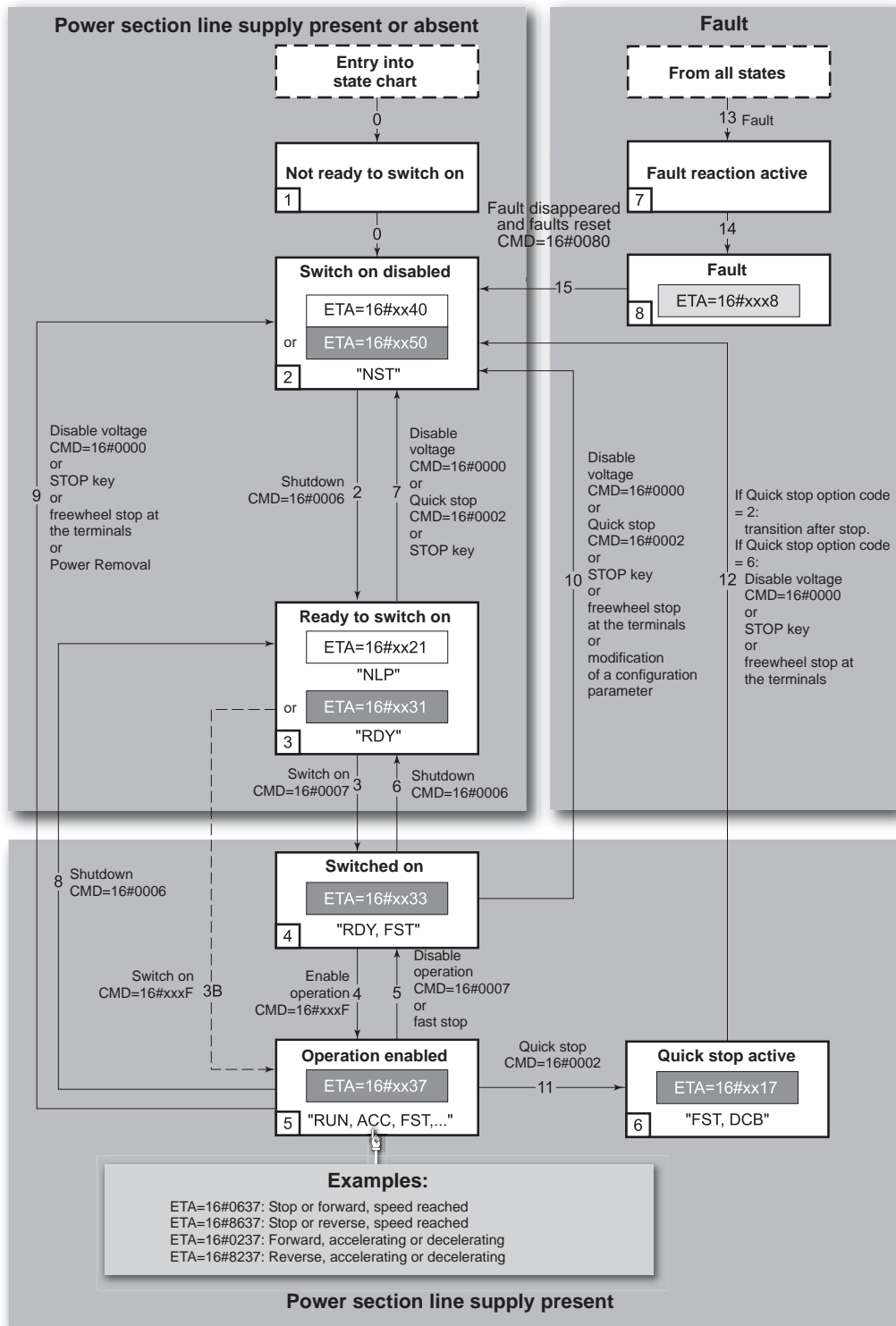
- Control diagram:



- Simplified diagram of the speed regulation in "Velocity" mode:



CiA402 state chart



Description of states

Each state represents an internal reaction by the drive.

This chart will change depending on whether the control word is sent (CMD) or an event occurs (a fault, for example).

The drive state can be identified by the value of the status word (ETA).

1 - Not ready to switch on

Initialization starts. This is a transient state invisible to the communication network.

2 - Switch on disabled

The drive is inactive.

The drive is locked, no power is supplied to the motor.

For a separate control section, it is not necessary to supply AC power to the power section.

For a separate control section with line contactor, the contactor is not controlled.

The configuration and adjustment parameters can be modified.

3 - Ready to switch on

Awaiting power section line supply.

For a separate control section, it is not necessary to supply AC power to the power section, but the system will expect it in order to change to state "4 - Switch on".

For a separate control section with line contactor, the contactor is not controlled.

The drive is locked, no power is supplied to the motor.

The configuration and adjustment parameters can be modified.

4 - Switched on

The drive is supplied with AC power but is stationary.

For a separate control section, the power section line supply must be present.

For a separate control section with line contactor, the contactor is controlled.

The drive is locked, no power is supplied to the motor.

The power stage of the drive is ready to operate, but voltage has not yet been applied to the output.

The adjustment parameters can be modified.

Modification of a configuration parameter returns the drive to state "2 - Switch on disabled".

5 - Operation enabled

The drive is running.

For a separate control section, the power section line supply must be present.

For a separate control section with line contactor, the contactor is controlled.

The drive is unlocked, power is supplied to the motor.

The drive functions are activated and voltage is applied to the motor terminals.

However, in the case of an open-loop drive, if the reference is zero or the "Halt" command is applied, no power is supplied to the motor and no torque is applied.

Auto-tuning (tUn) requires an injection of current into the motor. The drive must therefore be in state "5 - Operation enabled" for this command.

The adjustment parameters can be modified.

The configuration parameters cannot be modified.

Note: The "4 - Enable operation" command must be taken into consideration only when the channel is valid (see Communication monitoring page 51). In particular, if the channel is involved in the command and the reference, transition 4 will take place only after the reference has been received for the first time.

The reaction of the drive to a "Disable operation" command depends on the value of the "Disable operation option code" (DOTD) parameter:

- If the "Disable operation option code" parameter has the value 0, the drive goes to "4 - Switched on" and stops in freewheel stop
- If the "Disable operation option code" parameter has the value 1, the drive stops on ramp and then goes to "4 - Switched on"

CiA402 profile

6 - Quick stop active

Emergency stop

The drive performs a fast stop, after which restarting will only be possible once the drive has changed to the "Switch on disabled" state. During fast stop, the drive is unlocked and power is supplied to the motor. The configuration parameters cannot be modified.

The condition for transition 12 to the state "2 - Switch on disabled" depends on the value of the parameter "Quick stop option code" (QSTD):

- If the "Quick stop option code" parameter has the value 2, the drive stops according to the fast stop ramp and then goes into the state "2 - Switch on disabled".
- If the "Quick stop option code" parameter has the value 6, the drive stops according to the fast stop ramp and then remains in the state "6 - Quick stop active" until:
 - A "Disable voltage" command is received
 - Or the STOP key is pressed
 - Or there is a freewheel stop command via the terminals

7 - Fault reaction active

Transient state during which the drive performs an action appropriate to the type of fault.

The drive function is activated or deactivated according to the type of reaction configured in the fault management parameters.

8 - Fault

Drive faulty.

The drive is locked, no power is supplied to the motor.

Summary

State	Power section line supply for separate control section	Power supplied to motor	Modification of configuration parameters
1 - Not ready to switch on	Not required	No	Yes
2 - Switch on disabled	Not required	No	Yes
3 - Ready to switch on	Not required	No	Yes
4 - Switched on	Required	No	Yes, return to "2 - Switch on disabled" state
5 - Operation enabled	Required	Yes, apart from an open-loop drive with a zero reference or in the event of a "Halt" command for an open-loop drive.	No
6 - Quick stop active	Required	Yes, during fast stop	No
7 - Fault reaction active	Depends on fault management configuration	Depends on fault management configuration	-
8 - Fault	Not required	No	Yes

Control word (CMD)

bit 7	bit 6	bit 5	bit 4	bit 3	bit 2	bit 1	bit 0
Fault reset	Reserved (= 0)	Reserved (= 0)	Reserved (= 0)	Enable operation	Quick stop	Enable voltage	Switch on
Ack. fault				Run command	Emergency stop	Authorization to supply AC power	Contacteur control

bit 15	bit 14	bit 13	bit 12	bit 11	bit 10	bit 9	bit 8
Assignable	Assignable	Assignable	Assignable	By default, direction of rotation command.	Reserved (= 0)	Reserved (= 0)	Halt
							Halt

Command	Transition address	Final state	bit 7	bit 3	bit 2	bit 1	bit 0	Example value
			Fault reset	Enable operation	Quick stop	Enable voltage	Switch on	
Shutdown	2, 6, 8	3 - Ready to switch on	x	x	1	1	0	16#0006
Switch on	3	4 - Switched on	x	x	1	1	1	16#0007
Enable operation	4	5 - Operation enabled	x	1	1	1	1	16#000F
Disable operation	5	4 - Switched on	x	0	1	1	1	16#0007
Disable voltage	7, 9, 10, 12	2 - Switch on disabled	x	x	x	0	x	16#0000
Quick stop	11	6 - Quick stop active	x	x	0	1	x	16#0002
	7, 10	2 - Switch on disabled						
Fault reset	15	2 - Switch on disabled	0 → 1	x	x	x	x	16#0080

x: Value is of no significance for this command.

0 → 1: Command on rising edge

CiA402 profile

Stop commands:

The "Halt" command enables movement to be interrupted without having to leave the "5 - Operation enabled" state. The stop is performed in accordance with the **[Type of stop] (Stt)** parameter.

In the case of an open-loop drive, if the "Halt" command is active, no power is supplied to the motor and no torque is applied.

In the case of a closed-loop drive, if the "Halt" command is active, power continues to be supplied to the motor and torque is applied during stopping.

Regardless of the assignment of the **[Type of stop] (Stt)** parameter (**[Fast stop] (FSt)**, **[Ramp stop] (rMP)**, **[Freewheel] (nSt)**, **[DC injection] (dCI)**), the drive remains in the "5 - Operation enabled" state.

A Fast Stop command at the terminals or using a bit of the control word assigned to Fast Stop causes a change to the "4 - Switched on" state. A "Halt" command does not cause this transition.

A Freewheel Stop command at the terminals or using a bit of the control word assigned to Freewheel Stop causes a change to the "2 - Switch on disabled" state.

WARNING

RISK OF EQUIPMENT DAMAGE

When the braking loop is configured, it is necessary to use the "Halt" command (bit 8 of CMD command word) to stop.

Failure to follow these instructions can result in death, serious injury or equipment damage.

Assigning control word bits

In the CiA402 profile, fixed assignment of a function input is possible using the following codes:

Bit	Integrated Modbus	CANopen	Network card	"Controller Inside" card
bit 11	C111	C211	C311	C411
bit 12	C112	C212	C312	C412
bit 13	C113	C213	C313	C413
bit 14	C114	C214	C314	C414
bit 15	C115	C215	C315	C415

For example, to assign the DC injection braking to bit 13 of CANopen, simply configure the **[DC injection assign.] (dCI)** parameter with the **[C213] (C213)** value.

Bit 11 is assigned by default to the operating direction command **[Reverse assign.] (rrS)**.

Status word (ETA)

bit 7	bit 6	bit 5	bit 4	bit 3	bit 2	bit 1	bit 0
Warning	Switch on disabled	Quick stop	Voltage enabled	Fault	Operation enabled	Switched on	Ready to switch on
Alarm	Power section line supply disabled	Emergency stop	Power section line supply present	Fault	Running	Ready	Awaiting power section line supply

bit 15	bit 14	bit 13	bit 12	bit 11	bit 10	bit 9	bit 8
Direction of rotation	Stop via STOP key	Reserved (= 0)	Reserved (= 0)	Internal limit active	Target reached	Remote	Reserved (= 0)
				Reference outside limits	Reference reached	Command or reference via network	

Status	bit 6	bit 5	bit 4	bit 3	bit 2	bit 1	bit 0	ETA masked by 16#006F ⁽¹⁾
	Switch on disabled	Quick stop	Voltage enabled	Fault	Operation enabled	Switched on	Ready to switch on	
1 - Not ready to switch on	0	x	x	0	0	0	0	-
2 - Switch on disabled	1	x	x	0	0	0	0	16#0040
3 - Ready to switch on	0	1	x	0	0	0	1	16#0021
4 - Switched on	0	1	1	0	0	1	1	16#0023
5 - Operation enabled	0	1	1	0	1	1	1	16#0027
6 - Quick stop active	0	0	1	0	1	1	1	16#0007
7 - Fault reaction active	0	x	x	1	1	1	1	-
8 - Fault	0	x	x	1	0	0	0	16#0008 ⁽²⁾ or 16#0028

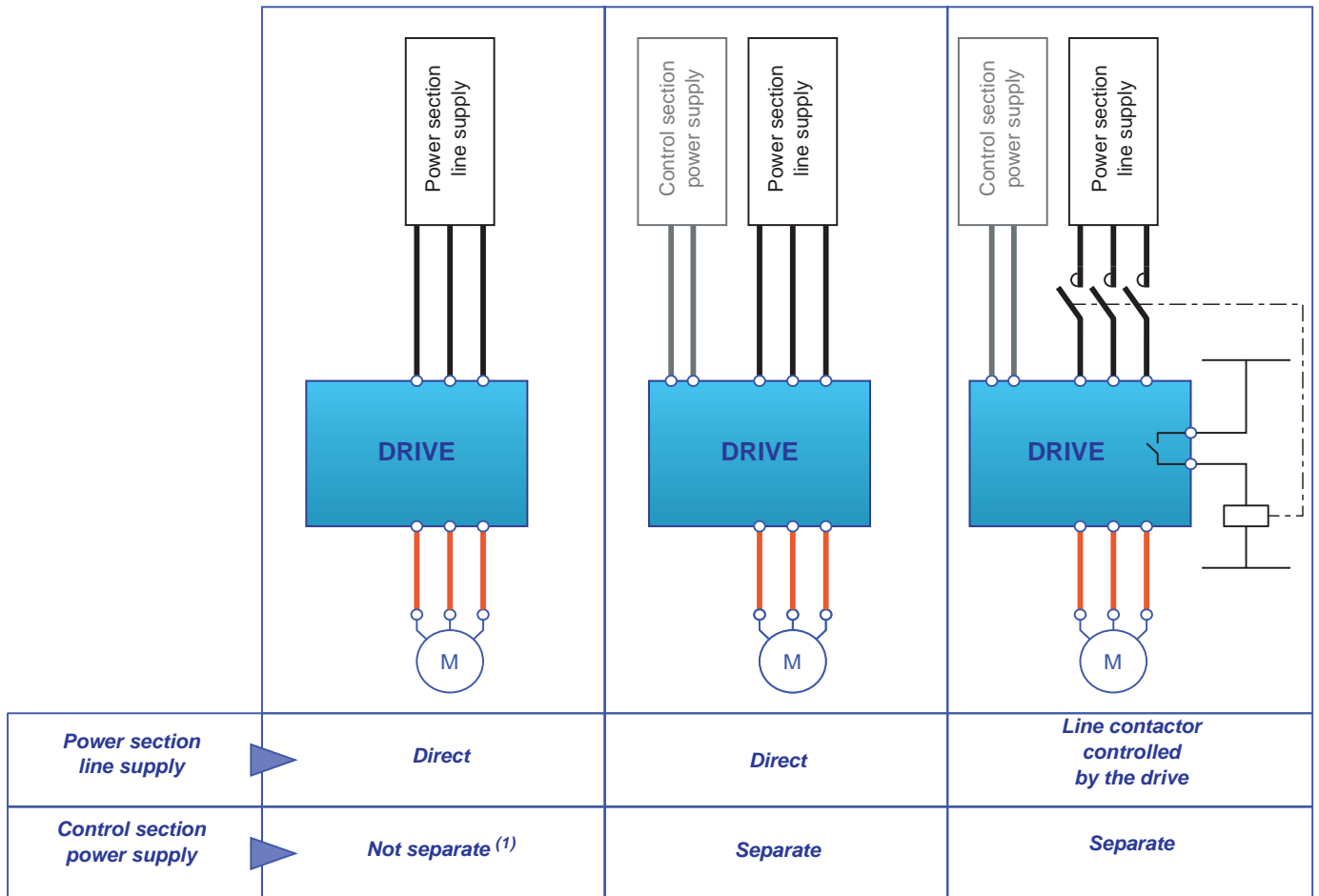
x: In this state, the value of the bit can be 0 or 1.

⁽¹⁾ This mask can be used by the PLC program to test the chart state.

⁽²⁾ Fault following state "6 - Quick stop active".

Starting sequence

The command sequence in the state chart depends on how power is being supplied to the drive. There are three possible scenarios:



⁽¹⁾ The power section supplies the control section.

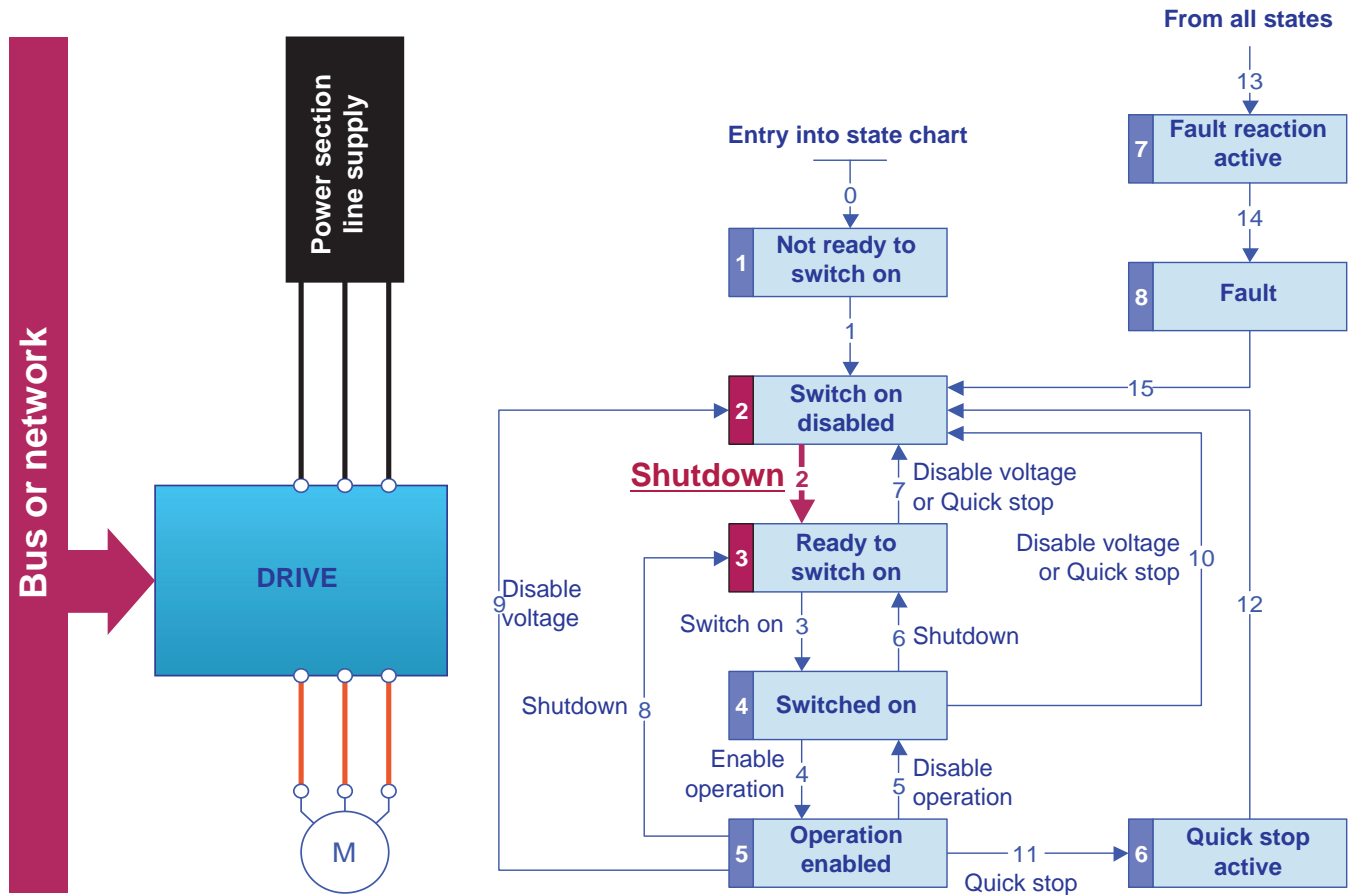
Sequence for a drive powered by the power section line supply

Both the power and control sections are powered by the power section line supply.

If power is supplied to the control section, it has to be supplied to the power section as well.

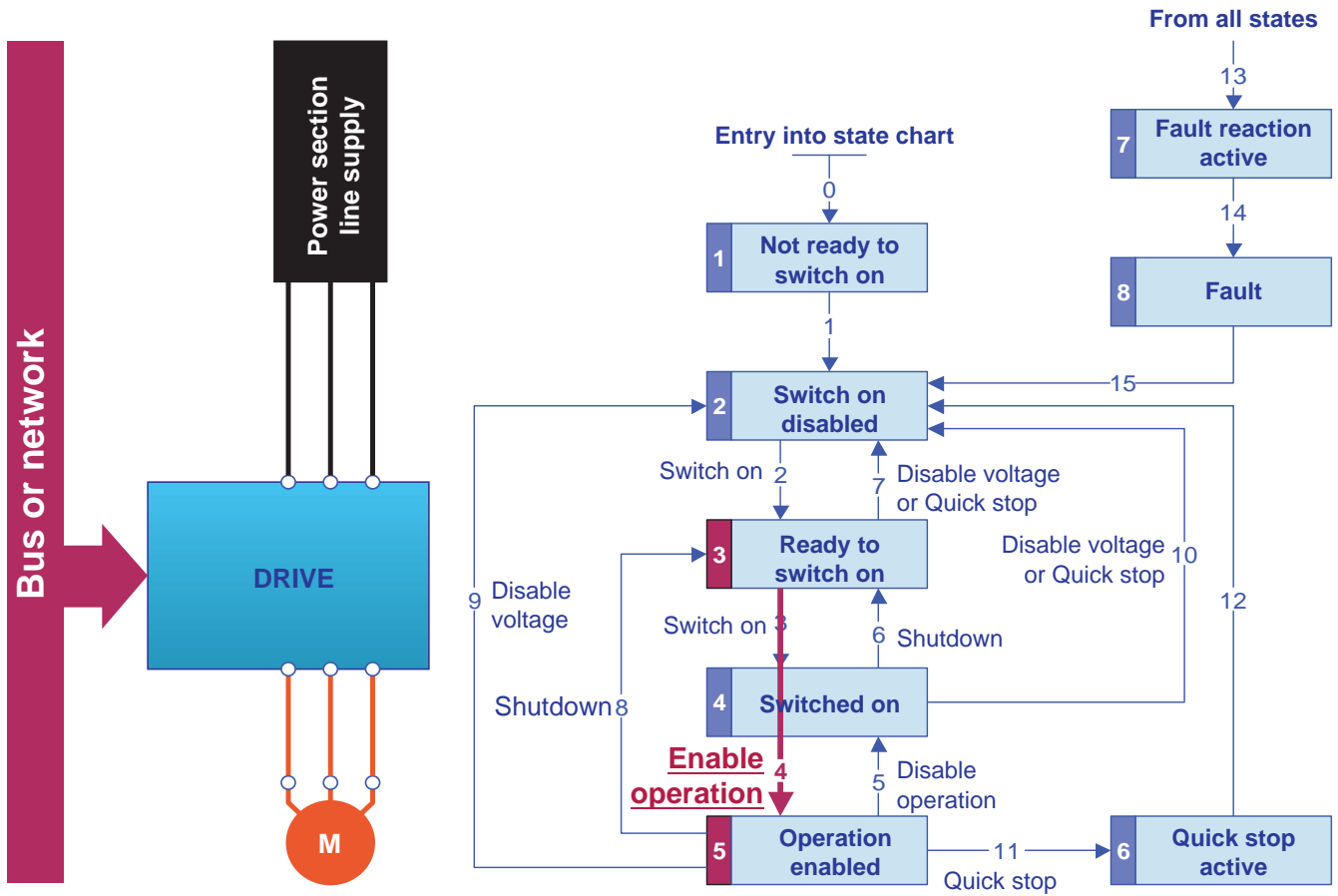
The following sequence must be applied:

- Step 1
 - Send the "2 - Shutdown" command



CiA402 profile

- Step 2
 - Check that the drive is in the "3 - Ready to switch on" state.
 - Then send the "4 - Enable operation" command.
 - The motor can be controlled (send a reference not equal to zero).



Note: It is possible, but not necessary, to send the "3 - Switch on" command and then the "4 - Enable Operation" command to go successively into the states "3 - Ready to Switch on", "4 - Switched on" and then "5 - Operation Enabled". The "4 - Enable operation" command is sufficient.

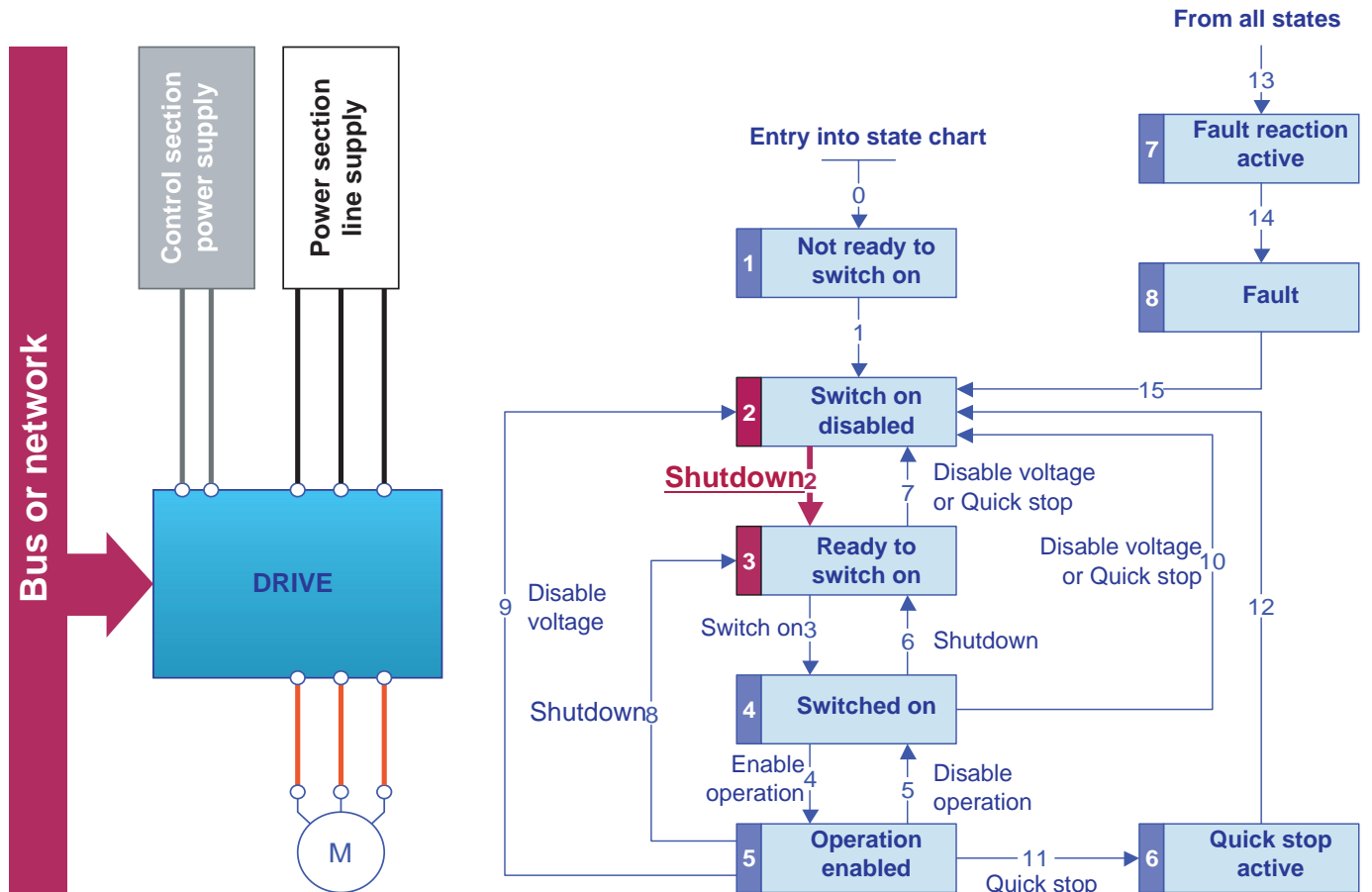
Sequence for a drive with separate control section

Power is supplied separately to the power and control sections.

If power is supplied to the control section, it does not have to be supplied to the power section as well.

The following sequence must be applied:

- Step 1
 - The power section line supply is not necessarily present.
 - Send the "2 - Shutdown" command.



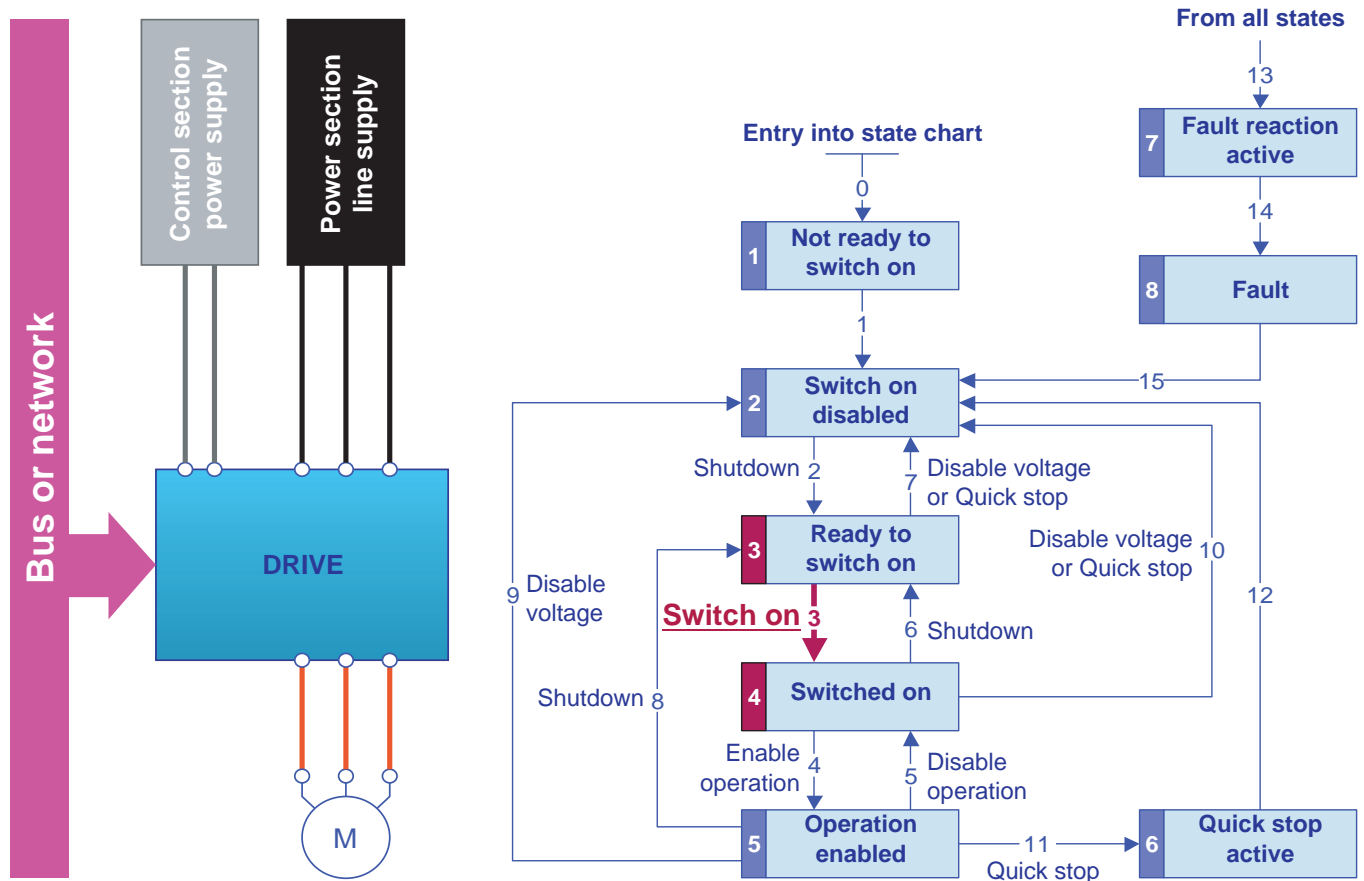
CiA402 profile

■ Step 2

- Check that the drive is in the "3 - Ready to switch on" state.
- Check that the power section line supply is present ("Voltage enabled" of the status word).

Power section line supply	Terminal display	Status word
Absent	nLP	16#●●21
Present	rdY	16#●●31

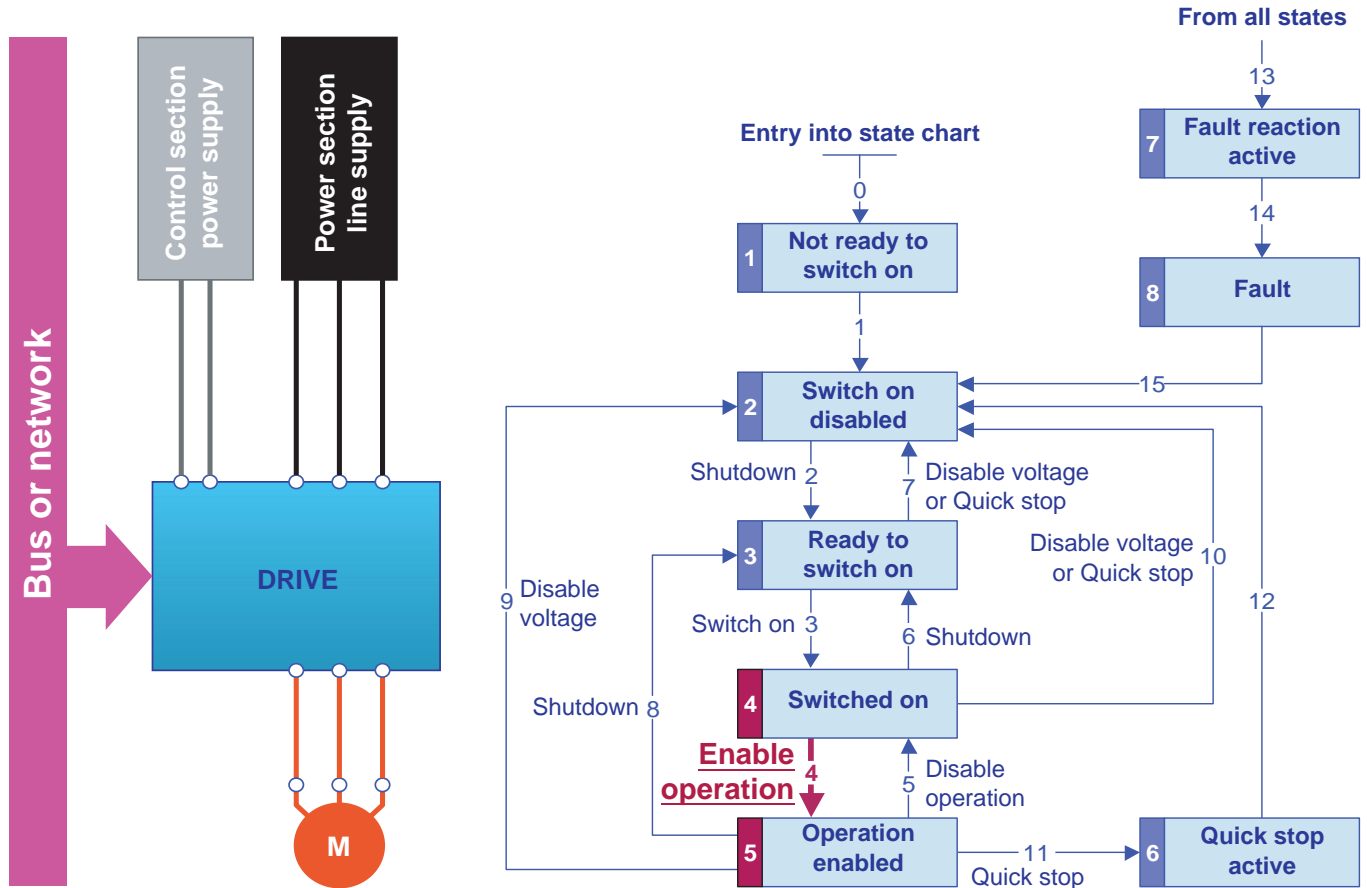
- Send the "3 - Switch on" command.



CiA402 profile

■ Step 3

- Check that the drive is in the "4 - Switched on" state.
- Then send the "4 - Enable operation" command.
- The motor can be controlled (send a reference not equal to zero).
- If the power section line supply is still not present in the "4 - Switched on" state after a time delay [**Mains V. time out**] (LCt), the drive will switch to fault mode (LCF).



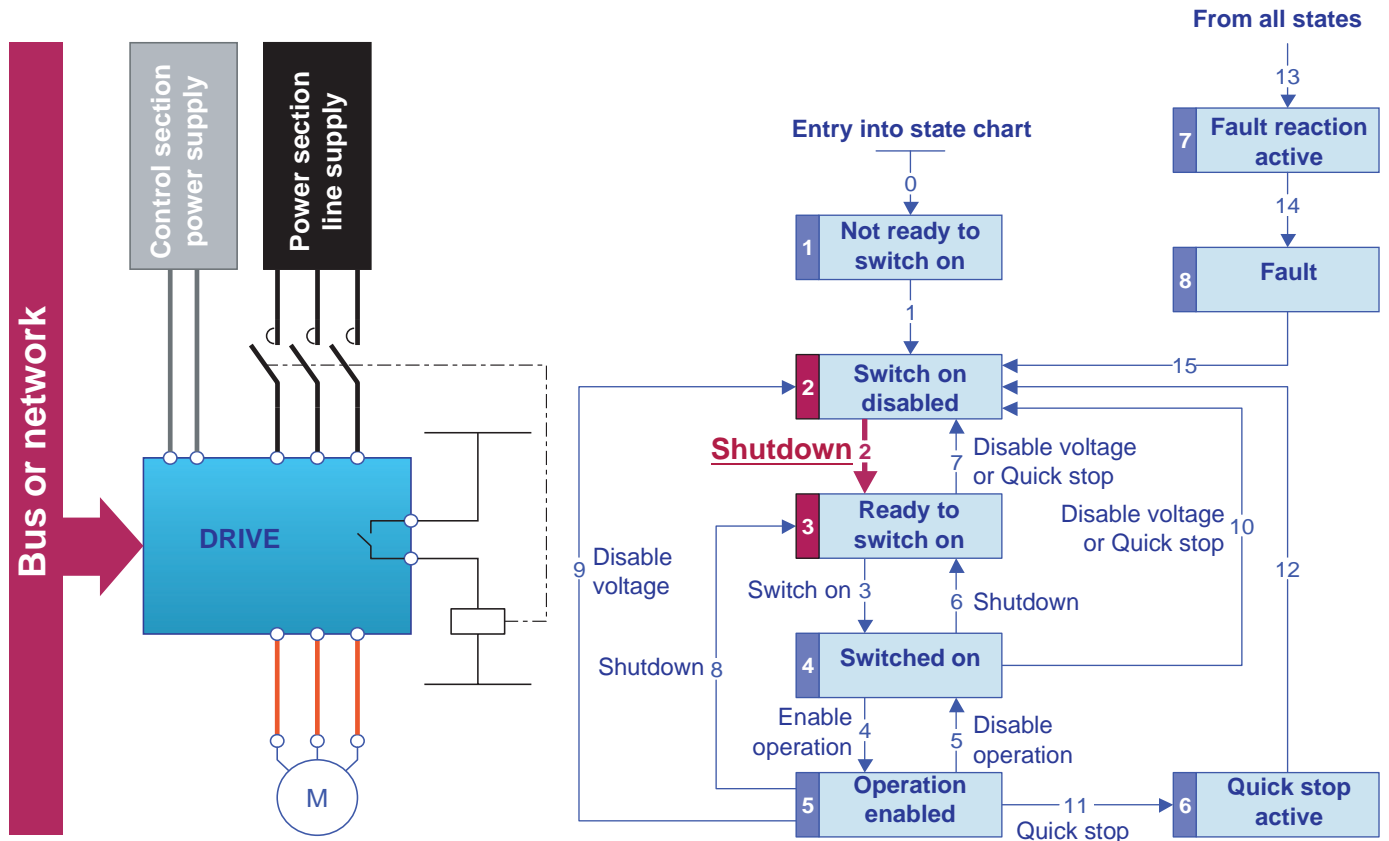
Sequence for a drive with line contactor control

Power is supplied separately to the power and control sections.

If power is supplied to the control section, it does not have to be supplied to the power section as well. The drive controls the line contactor. The following sequence must be applied:

■ Step 1

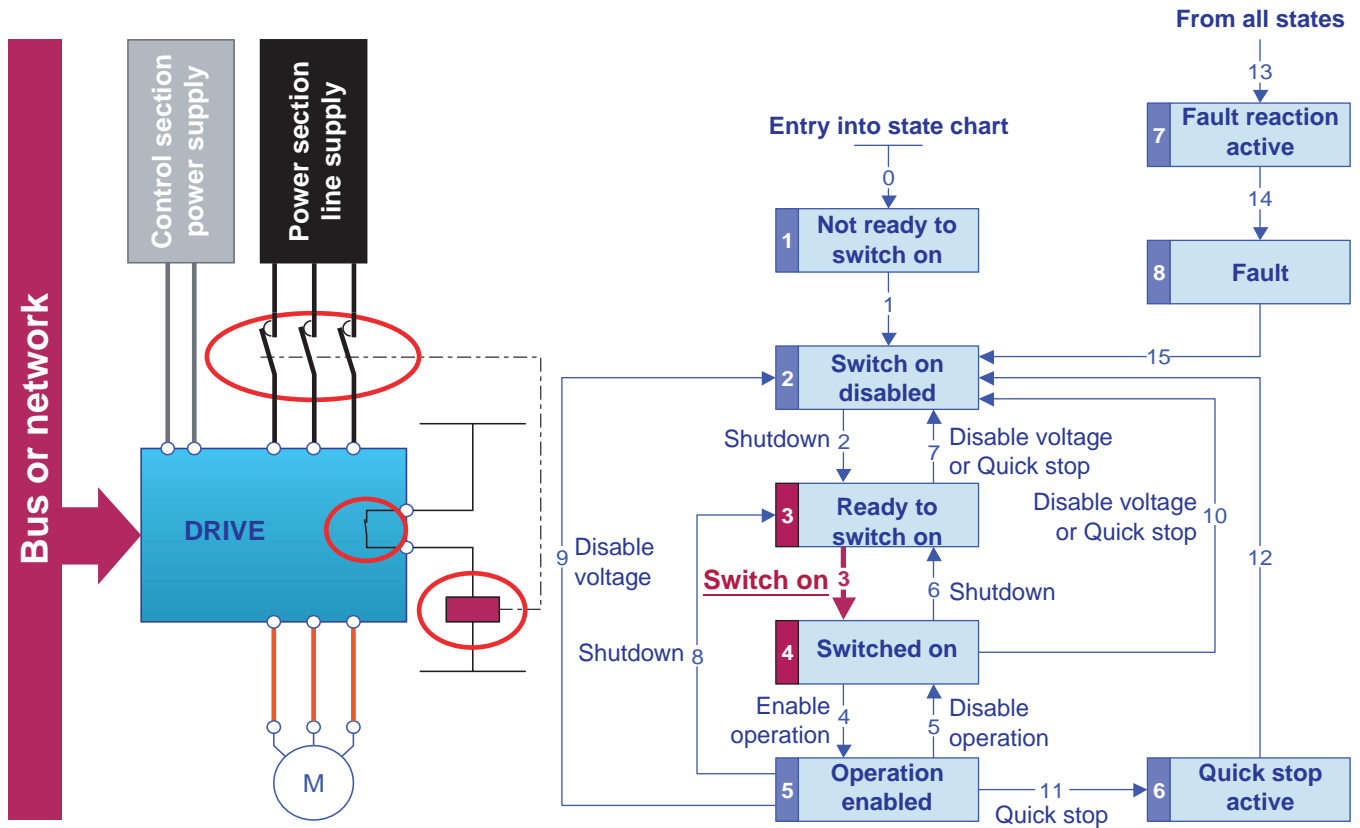
- The power section line supply is not present as the line contactor is not being controlled.
- Send the "2 - Shutdown" command.



CiA402 profile

■ Step 2

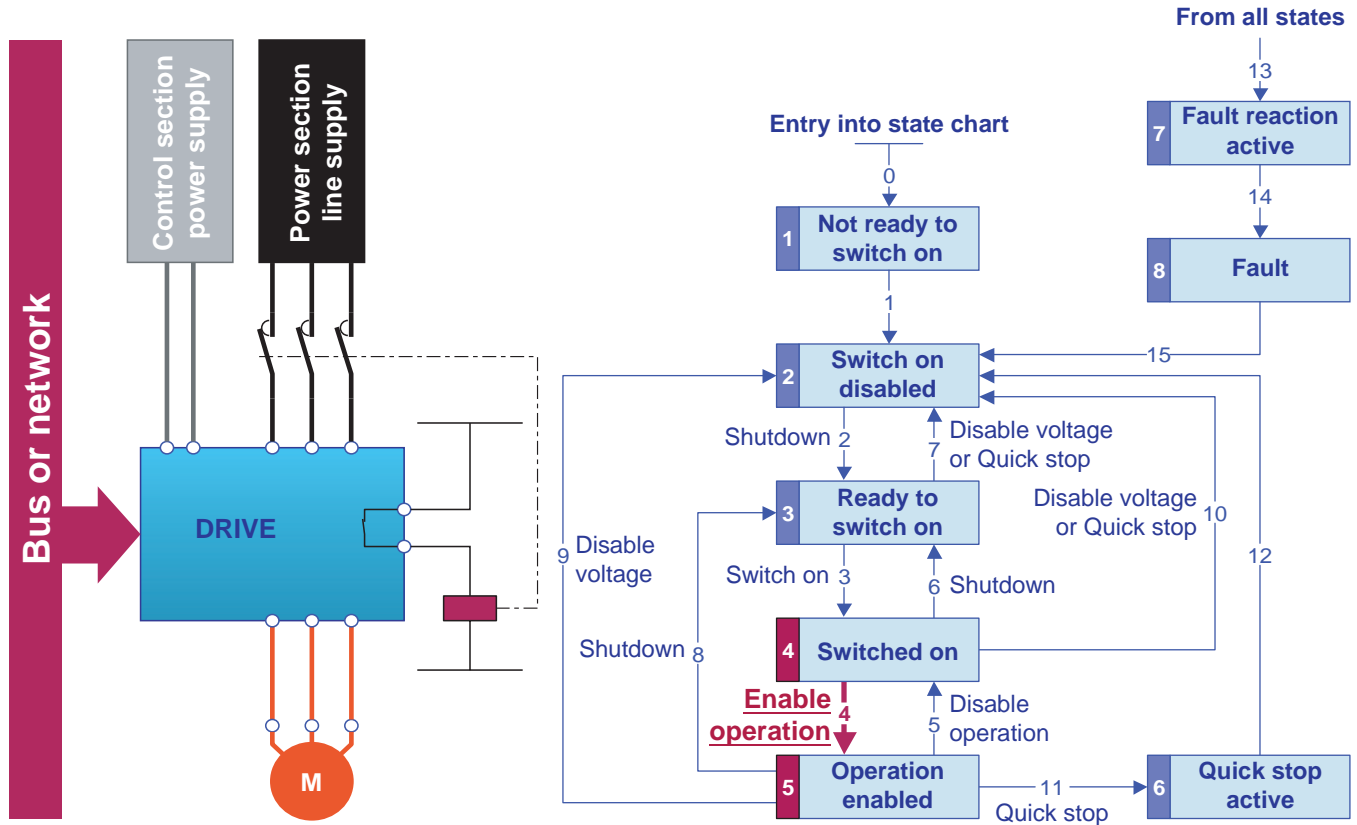
- Check that the drive is in the "3 - Ready to switch on" state.
- Send the "3 - Switch on" command, which will close the line contactor and switch on the power section line supply.



CiA402 profile

■ Step 3

- Check that the drive is in the "4 - Switched on" state.
- Then send the "4 - Enable operation" command.
- The motor can be controlled (send a reference not equal to zero).
- If the power section line supply is still not present in the "4 - Switched on" state after a time delay [Mains V. time out] (LCt), the drive will switch to fault mode (LCF).



Command/reference switching

Channels

A channel is the name given to the source of a command or reference.

The six Altivar 61 channels are:

- The terminals
- The graphic display terminal
- The integrated Modbus ports
- The integrated CANopen port
- A network card
- The "Controller Inside" card

The Altivar 61 has two integrated Modbus ports. These two ports are physically independent of one another but together constitute a single logic channel.

The drive does not distinguish between commands and references that come from the Modbus network port and those that come from the Modbus HMI port.

With the Altivar 61 drive, it is possible to select the active command channel and the active reference channel:

- Via configuration
- Via switching at the terminals or via a communication network

Channel commands and references

All the drive's command and reference parameters are managed on a channel-by-channel basis. Only the control word (CMd), speed reference (LFrd) and frequency reference (LFr) are switched.

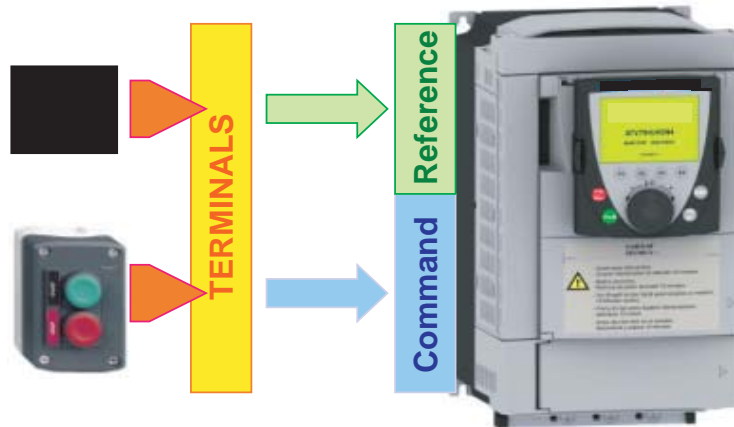
It is possible to identify the last value written for each channel and each command or reference parameter:

Parameter name	Parameter code				
	Taken into account by the drive	Modbus	CANopen	Communication card	Controller Inside
Control word	CMd	CMd1	CMd2	CMd3	CMd4
Extended control word	CMI	CMI1	CMI2	CMI3	CMI4
Speed reference (rpm)	LFrd	LFd1	LFd2	LFd3	LFd4
Frequency reference (0.1 Hz)	LFr	LFr1	LFr2	LFr3	LFr4
PID regulator reference	PISP	PIr1	PIr2	PIr3	PIr4
Analog multiplier reference	MFr	MFr1	MFr2	MFr3	MFr4

Command/reference switching

Not separate mode

Command and reference come from the same channel.

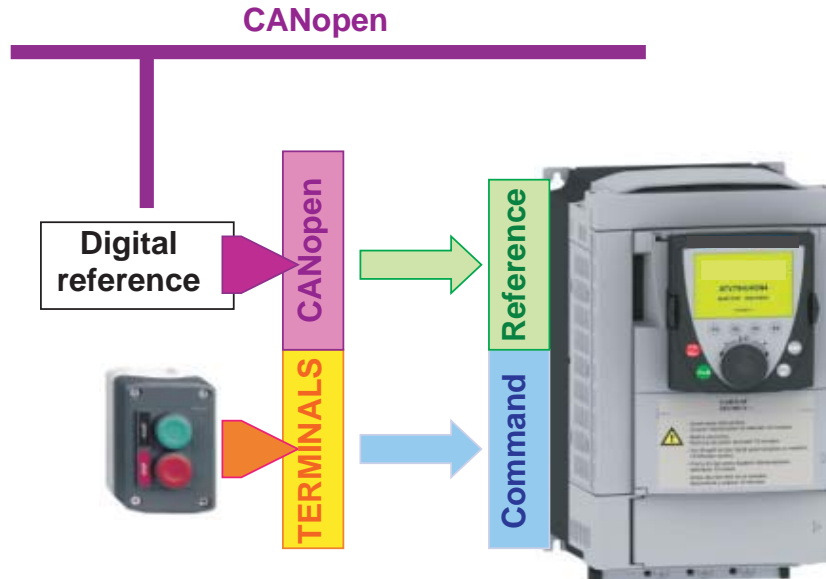


In CiA402 profile, the not separate mode is configured via the terminal:

Menu	Parameter	Value
[1.6 - COMMAND] (CtL-)	[Profile] (CHCF)	[Not separ.] (SIM)

Separate mode

Command and reference may come from different channels.



In CiA402 profile, the separate mode is achieved via configuration with the terminal:

Menu	Parameter	Value
[1.6 - COMMAND] (CtL-)	[Profile] (CHCF)	[Separate] (SEP)

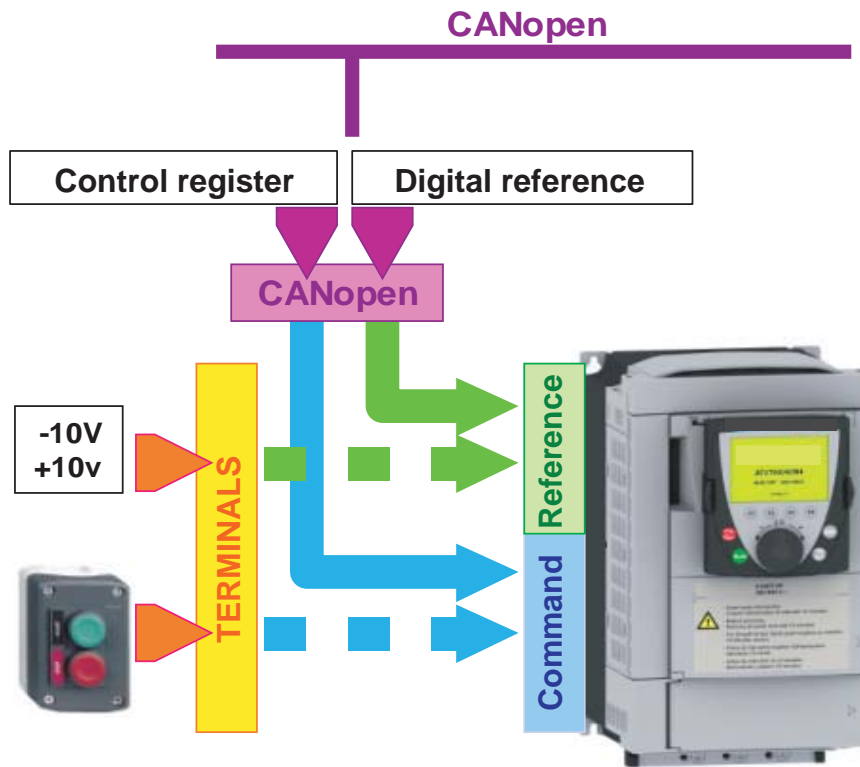
In I/O profile, the drive is automatically in separate mode.

Menu	Parameter	Value
[1.6 - COMMAND] (CtL-)	[Profile] (CHCF)	[I/O profile] (IO)

Command/reference switching

Switching in not separate mode

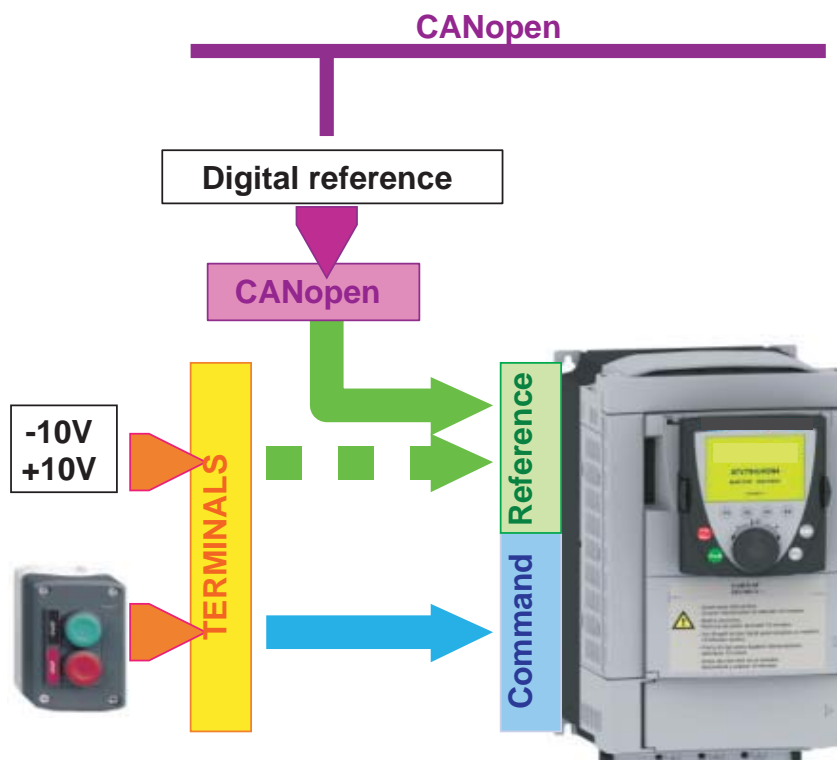
Switching takes place between 2 channels simultaneously for both reference and command.



In this example, the command and reference come either from CANopen or from the terminals.

Switching in separate mode

Switching can take place between 2 channels independently for the reference and command.



In this example, the command always comes from the terminals; the reference can come either from CANopen or from the terminals.

Command/reference switching

Channel switching

Reference channel configuration

Reference channel configuration enables reference sources to be predefined, which can be modified or switched subsequently via a command.

There are 3 predefined reference channels:

- Reference channel 1
- Reference channel 1B
- Reference channel 2

Reference channels 1 and 1B are used for drive application functions.

Reference channel 2 is connected directly to the reference limiting function, bypassing the application functions.

The predefined reference channels are assigned via the **[Ref.1 channel] (Fr1)**, **[Ref.1B channel] (Fr1b)** and **[Ref.2 channel] (Fr2)** configuration parameters, which can have the following values:

- **[No] (nO)**: Not assigned
- **[AI1] (AI1)**: Analog input AI1
- **[AI2] (AI2)**: Analog input AI2
- **[AI3] (AI3)**: Analog input AI3 (if extension card present)
- **[AI4] (AI4)**: Analog input AI4 (if extension card inserted)
- **[HMI] (LCC)**: Graphic display terminal
- **[Modbus] (Mdb)**: Integrated Modbus
- **[CANopen] (CAn)**: Integrated CANopen
- **[Com. card] (nEt)**: Communication card (if inserted)
- **[C.Insid. card] (APP)**: Controller Inside card (if inserted)
- **[RP] (PI)**: Frequency input (if card inserted)
- **[Encoder] (PG)**: Encoder input (if card inserted)

Note: The "+speed/-speed" function is on reference channel 2. See the Programming Manual for more information.

Command channel configuration

Command channel configuration enables command sources to be predefined, which can be modified or switched subsequently via a command.

There are 2 predefined reference channels:

- Command channel 1
- Command channel 2

The predefined command channels are assigned via the **[Cmd channel 1] (Cd1)** and **[Cmd channel 2] (Cd2)** configuration parameters, which can have the following values:

- **[Terminals] (tEr)**: Terminals
- **[HMI] (LCC)**: Graphic display terminal
- **[Modbus] (Mdb)**: Integrated Modbus
- **[CANopen] (CAn)**: Integrated CANopen
- **[Com. card] (nEt)**: Communication card (if inserted)
- **[C.Insid. card] (APP)**: Controller Inside card (if inserted)

Command/reference switching

Switches

A channel switch is used to select predefined channels.

It can be:

- Defined via configuration
- Activated either via an input (terminals) or a control word bit (network)
- Written via a network during operation (modification of a configuration parameter)

The possible switch values are:

	Function reference switching [Ref 1B switching] (rCb)	Direct reference switching [Ref. 2 switching] (rFC)	Command switching [Cmd switching] (CCS)
Channel 1	Fr1	Fr1	Cd1
Channel 1B	Fr1b	-	-
Channel 2	-	Fr2	Cd2
Drive input		LI1 ... LI6	
Logic I/O card input		LI7 ... LI10	
Extended I/O card input		LI11 ... LI14	
Modbus command bit		bit 0 = C100 ... bit 15 = C115	
CANopen command bit		bit 0 = C200 ... bit 15 = C215	
Network command bit		bit 0 = C300 ... bit 15 = C315	
Controller Inside command bit		bit 0 = C400 ... bit 15 = C415	

The values **Fr1**, **Fr1b**, **Fr2**, **Cd1** and **Cd2** are either configured or written via the network during operation.

In I/O and CiA402 profiles (separate), independent switching is possible:

Type	Channel 1		Channel 2	Switching
Reference	Function reference 1 [Ref.1 channel] (Fr1)	↔	Function reference 1B [Ref.1B channel] (Fr1b)	Function reference switching [Ref 1B switching] (rCb)
	Function reference 1 or 1B [Ref.1 channel] (Fr1) [Ref.1B channel] (Fr1b)	↔	Direct reference 2 [Ref.2 channel] (Fr2)	Direct reference switching [Ref. 2 switching] (rFC)
Command	Command 1 [Cmd channel 1] (Cd1)	↔	Command 2 [Cmd channel 2] (Cd2)	Command switching [Cmd switching] (CCS)

In CiA402 profile (not separate), switching is simultaneous:

Type	Channel 1		Channel 2	Switching
Reference and Command	Function reference 1 or 1B [Ref.1 channel] (Fr1) [Ref.1B channel] (Fr1b)	↔	Direct reference 2 [Ref.2 channel] (Fr2)	Direct reference switching [Ref. 2 switching] (rFC)
	Command 1 [Cmd channel 1] (Cd1)	↔	Command 2 [Cmd channel 2] (Cd2)	

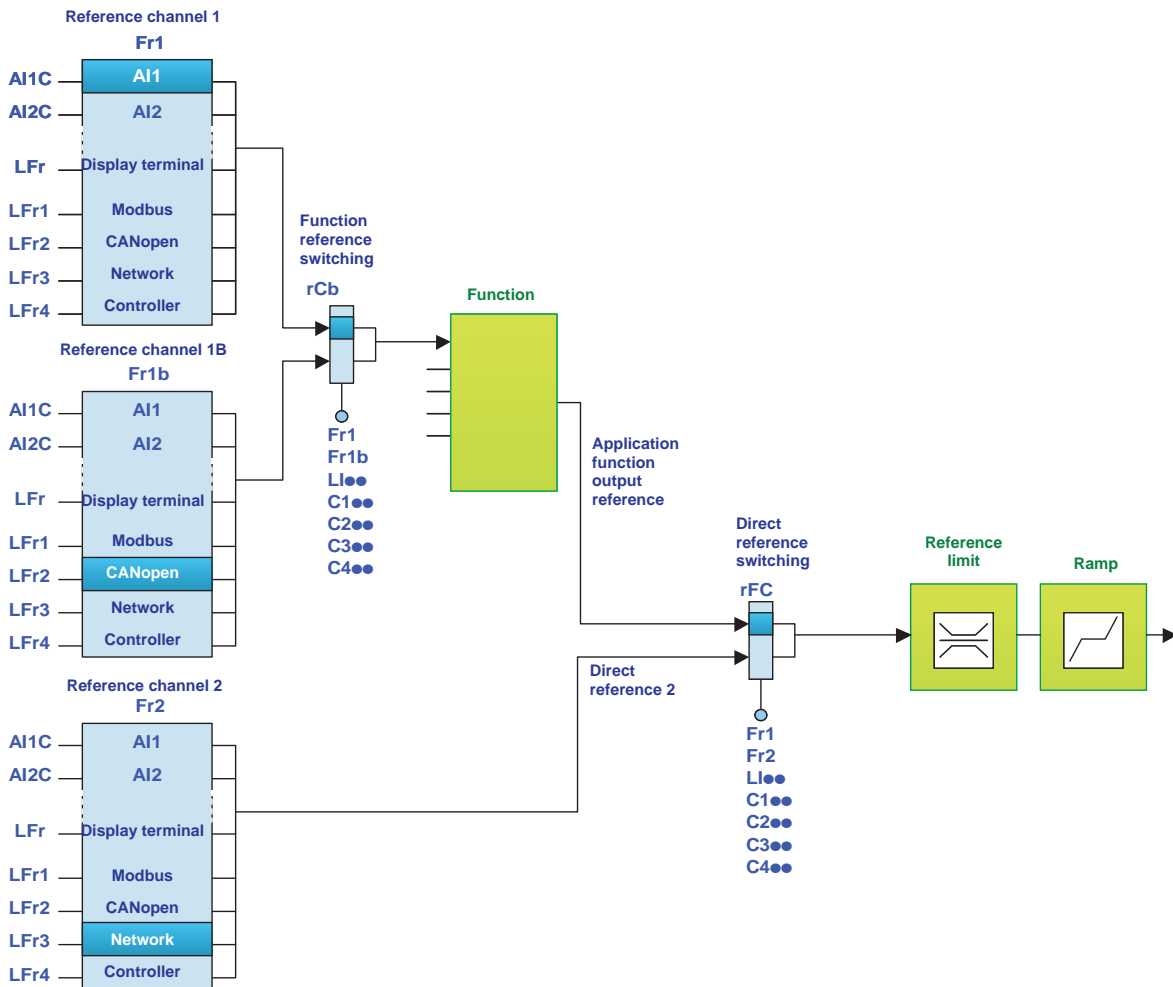
Command/reference switching

Reference switching principle

A detailed description is given in the Programming Manual.

This diagram shows reference switching as applicable to all the following modes:

- I/O profile
- CiA402 profile and separate mode
- CiA402 profile and not separate mode

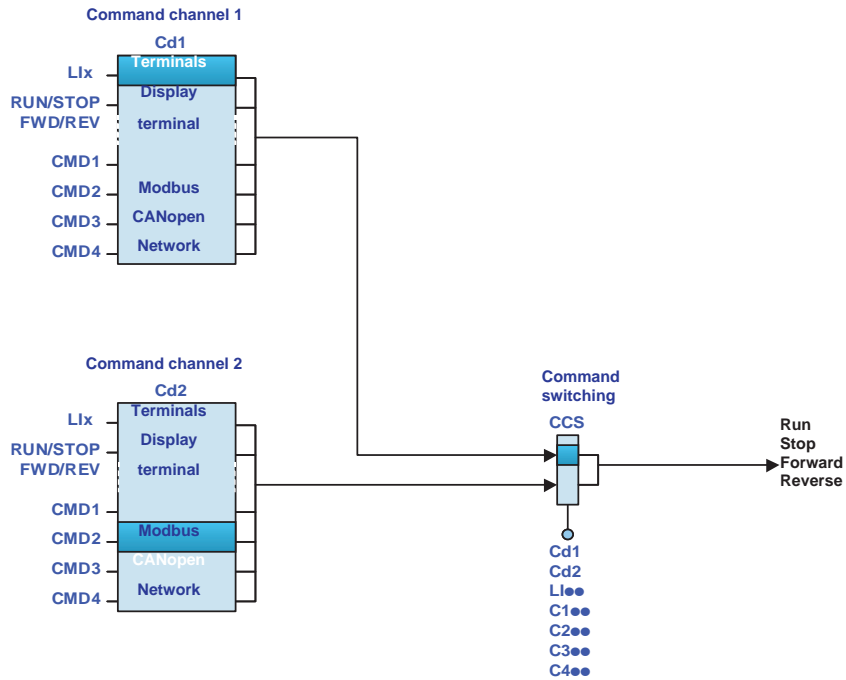


Command/reference switching

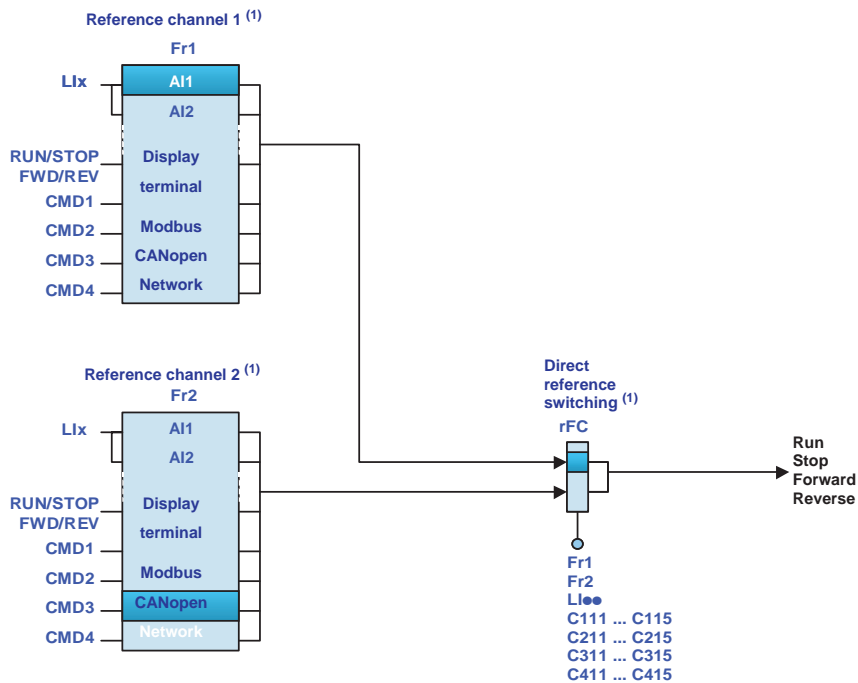
Command switching principle

A detailed description is given in the Programming Manual.

I/O profile or CiA402 profile (separate mode)



CiA402 profile (not separate mode)



(1) In not separate mode, command switching follows reference switching. It is therefore reference switching that switches the command.

Command/reference switching

Assigning control word bits

I/O profile

The I/O profile is extremely flexible in terms of assigning and switching the 16 control word bits.

To switch a control word bit using:

- An input from the terminals
- Or a control word bit from another communication channel

simply configure a switched assignment for the function input (CD●●), instead of a fixed assignment (C●●●).

Inputs and bits of the same order are switched.

Inputs LI1 to LI6 of the drive terminals can be used to switch control word bits 0 to 5.

With a logic I/O card using inputs LI7 to LI10, control word bits 6 to 9 can also be switched.

With an extended I/O card using inputs LI11 to LI14, control word bits 10 to 13 can also be switched.

Once a bit has been assigned to a switchable assignment, it can no longer be assigned to a fixed assignment, and vice versa.
Example: Once a function input has been assigned to CD04, it cannot be assigned to LI5, C104, C204, C304 or C404.

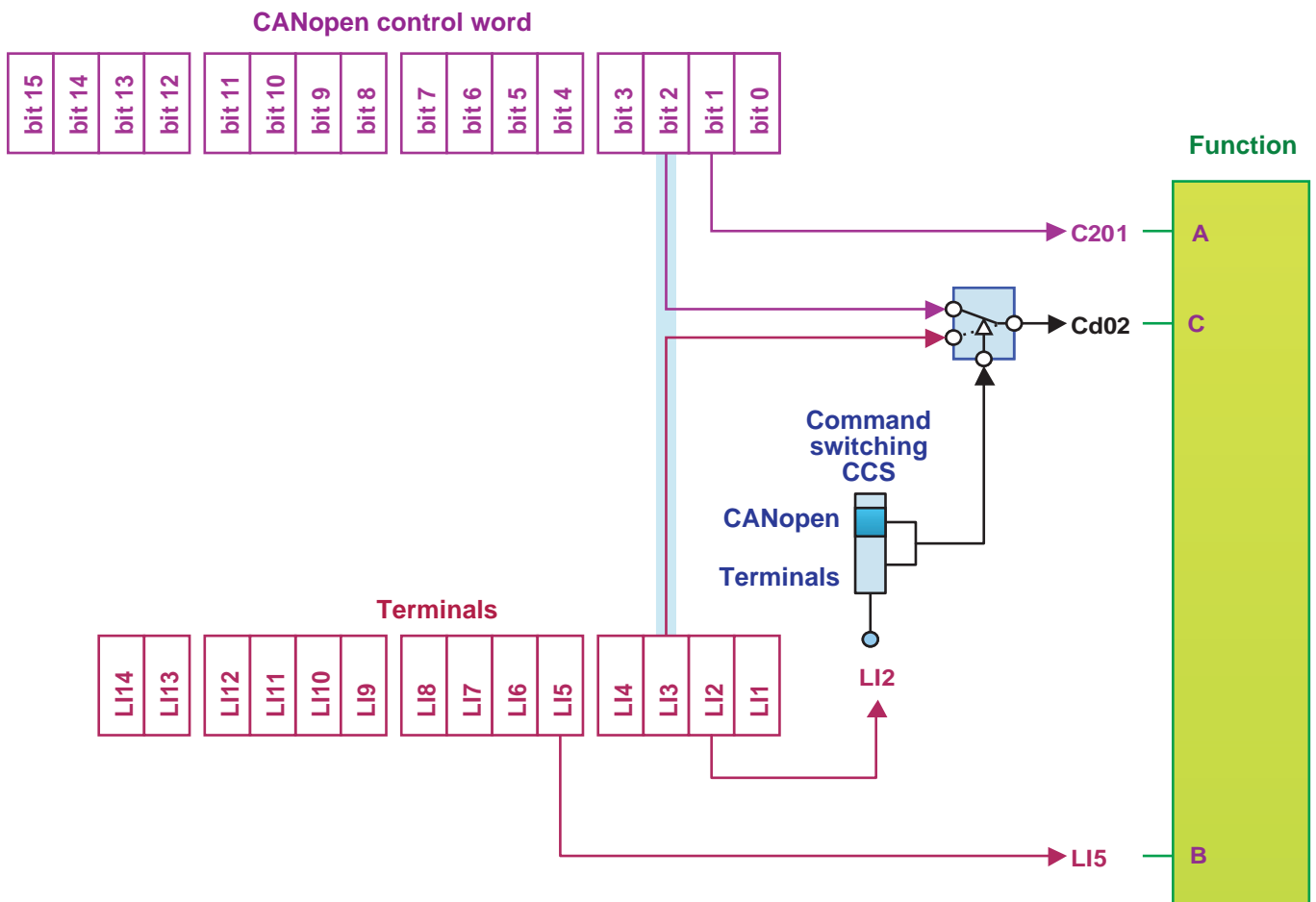
Example

Function input A is always controlled by bit 1 of the CANopen control word.

Function input B is always controlled by input LI5 on the terminals.

Depending on the value of LI2, function input C is controlled:

- Either by input LI3 on the terminals
- Or by bit 2 of the CANopen control word



Command/reference switching

The tables below show assignments on the basis of input or bit.

Run on state command [2 wire] (2C):

Bit	Switched assignment	Fixed assignments						
		Drive terminals	Logic I/O card	Extended I/O card	Integrated Modbus	CANopen	Network card	"Controller Inside" card
bit 0		Forward						
bit 1	Cd01	LI2	-	-	C101	C201	C301	C401
bit 2	Cd02	LI3	-	-	C102	C202	C302	C402
bit 3	Cd03	LI4	-	-	C103	C203	C303	C403
bit 4	Cd04	LI5	-	-	C104	C204	C304	C404
bit 5	Cd05	LI6	-	-	C105	C205	C305	C405
bit 6	Cd06	-	LI7	-	C106	C206	C306	C406
bit 7	Cd07	-	LI8	-	C107	C207	C307	C407
bit 8	Cd08	-	LI9	-	C108	C208	C308	C408
bit 9	Cd09	-	LI10	-	C109	C209	C309	C409
bit 10	Cd10	-	-	LI11	C110	C210	C310	C410
bit 11	Cd11	-	-	LI12	C111	C211	C311	C411
bit 12	Cd12	-	-	LI13	C112	C212	C312	C412
bit 13	Cd13	-	-	LI14	C113	C213	C313	C413
bit 14	Cd14	-	-	-	C114	C214	C314	C414
bit 15	Cd15	-	-	-	C115	C215	C315	C415

Run on edge command [3 wire] (3C):

Bit	Switched assignment	Fixed assignments						
		Drive terminals	Logic I/O card	Extended I/O card	Integrated Modbus	CANopen	Network card	"Controller Inside" card
bit 0		Run authorization						
bit 1		Forward						
bit 2	Cd02	LI3	-	-	C102	C202	C302	C402
bit 3	Cd03	LI4	-	-	C103	C203	C303	C403
bit 4	Cd04	LI5	-	-	C104	C204	C304	C404
bit 5	Cd05	LI6	-	-	C105	C205	C305	C405
bit 6	Cd06	-	LI7	-	C106	C206	C306	C406
bit 7	Cd07	-	LI8	-	C107	C207	C307	C407
bit 8	Cd08	-	LI9	-	C108	C208	C308	C408
bit 9	Cd09	-	LI10	-	C109	C209	C309	C409
bit 10	Cd10	-	-	LI11	C110	C210	C310	C410
bit 11	Cd11	-	-	LI12	C111	C211	C311	C411
bit 12	Cd12	-	-	LI13	C112	C212	C312	C412
bit 13	Cd13	-	-	LI14	C113	C213	C313	C413
bit 14	Cd14	-	-	-	C114	C214	C314	C414
bit 15	Cd15	-	-	-	C115	C215	C315	C415

Command/reference switching

CiA402 profile

Control word bits of the same order are switched if the function inputs are assigned to switchable bits. Switching may be possible using **LI12**, **LI13** or **LI14** on an extended I/O card.

Once a bit has been assigned to a switchable assignment, it can no longer be assigned to a fixed assignment, and vice versa. Example: Once a function input has been assigned to **Cd04**, it cannot be assigned to **LI5**, **C104**, **C204**, **C304** or **C404**.

The table below shows assignments on the basis of input or bit.

Bit	Switched assignment	Fixed assignments						
		Drive terminals	Logic I/O card	Extended I/O card	Integrated Modbus	CANopen	Network card	"Controller Inside" card
bit 0	-	LI1	-	-	-	-	-	-
bit 1	-	LI2	-	-	-	-	-	-
bit 2	-	LI3	-	-	-	-	-	-
bit 3	-	LI4	-	-	-	-	-	-
bit 4	-	LI5	-	-	-	-	-	-
bit 5	-	LI6	-	-	-	-	-	-
bit 6	-	-	LI7	-	-	-	-	-
bit 7	-	-	LI8	-	-	-	-	-
bit 8	-	-	LI9	-	-	-	-	-
bit 9	-	-	LI10	-	-	-	-	-
bit 10	-	-	-	LI11	-	-	-	-
bit 11	Cd11	-	-	LI12	C111	C211	C311	C411
bit 12	Cd12	-	-	LI13	C112	C212	C312	C412
bit 13	Cd13	-	-	LI14	C113	C213	C313	C413
bit 14	Cd14	-	-	-	C114	C214	C314	C414
bit 15	Cd15	-	-	-	C115	C215	C315	C415

Command/reference switching

Copy on switching

When switching channels, it is possible to copy the reference or command from function channel 1 to direct channel 2.

Menu	Submenu
[1.6 COMMAND] (CtL-)	

Parameter	Possible values
[Copy channel 1 --> 2]	No copy. [No] (nO) Copy reference [Reference] (SP) Copy command [Command] (Cd) Copy command and reference [Cmd + ref.] (ALL)

If a copy is not made, the drive stops according to the configured stop type **[Type of stop] (Stt)** until the first command and reference are received.

The reference before ramp (FrH) is copied unless the direct channel 2 reference is via +/- speed.

If the direct channel 2 reference is via +/- speed, the after ramp (rFr) reference is copied.

If the direct channel 2 command is via the terminals, the function channel 1 command is not copied even in pulse control (3-wire) **[3 wire] (3C)**.

If the direct channel 2 reference is via **AI1, AI2, AI3, AI4**, the encoder input or frequency input, the function channel 1 reference is not copied.

Forced local mode

Definition

Forced local mode supports switching to the terminals or display terminal.

This function complements channel switching and makes it possible to make use of an existing function from the Altivar 58 range.

Forced local mode is only available in CiA402 profile, not in I/O profile.

All other communication takes priority over forced local mode.

Forced local mode can be configured via the display terminal:

Menu	Submenu
[1.9 COMMUNICATION] (COM-)	[FORCED LOCAL] (LCF-)

Parameter	Possible values
Forced local switch [Forced local assign.] (FLO)	Function inactive: [No] (nO) Assignment to a logic input LI1 ... LI14: [LI1] (LI1) ... [LI14] (LI14) Forced local mode is active when the input is at state 1.
Forced local channel [Forced local Ref.] (FLOC)	Forced local on stop. [No] (nO) Assignment of the command to the terminals and of the reference to one of the analog inputs AI1 ... AI4 [AI2 ref.] (AI2), [AI3 ref.] (AI3), [AI4 ref.] (AI4) Assignment of the command to the terminals and of the reference to the frequency input (if card present) [Pulse Input] (PI) Assignment of the reference [HMI Frequency ref.] (LFr) and of the command (RUN/STOP/FWD/REV buttons) to the graphic display terminal [HMI] (LCC)

In "forced local" state:

- Any attempts to write the parameter via one of these channels is rejected (applies to command, reference and adjustment parameters).
- However, the parameters can be read.
- The drive does not register a communication fault.

On exiting "forced local" mode:

- The drive copies the run commands, the direction and the forced local reference to the active channel (maintained).
- Monitoring of the active command and reference channels resumes following a time delay [Time-out forc. local] (FLOt).
- Drive control only takes effect once the drive has received the reference **and** the command.

The time delay [Time-out forc. local] (FLOt) (default value = 10 s) can be configured via the remote graphic display terminal:

Menu	Submenu	Parameter
[1.9 COMMUNICATION] (COM-)	[FORCED LOCAL] (LCF-)	[Time-out forc. local] (FLOt)

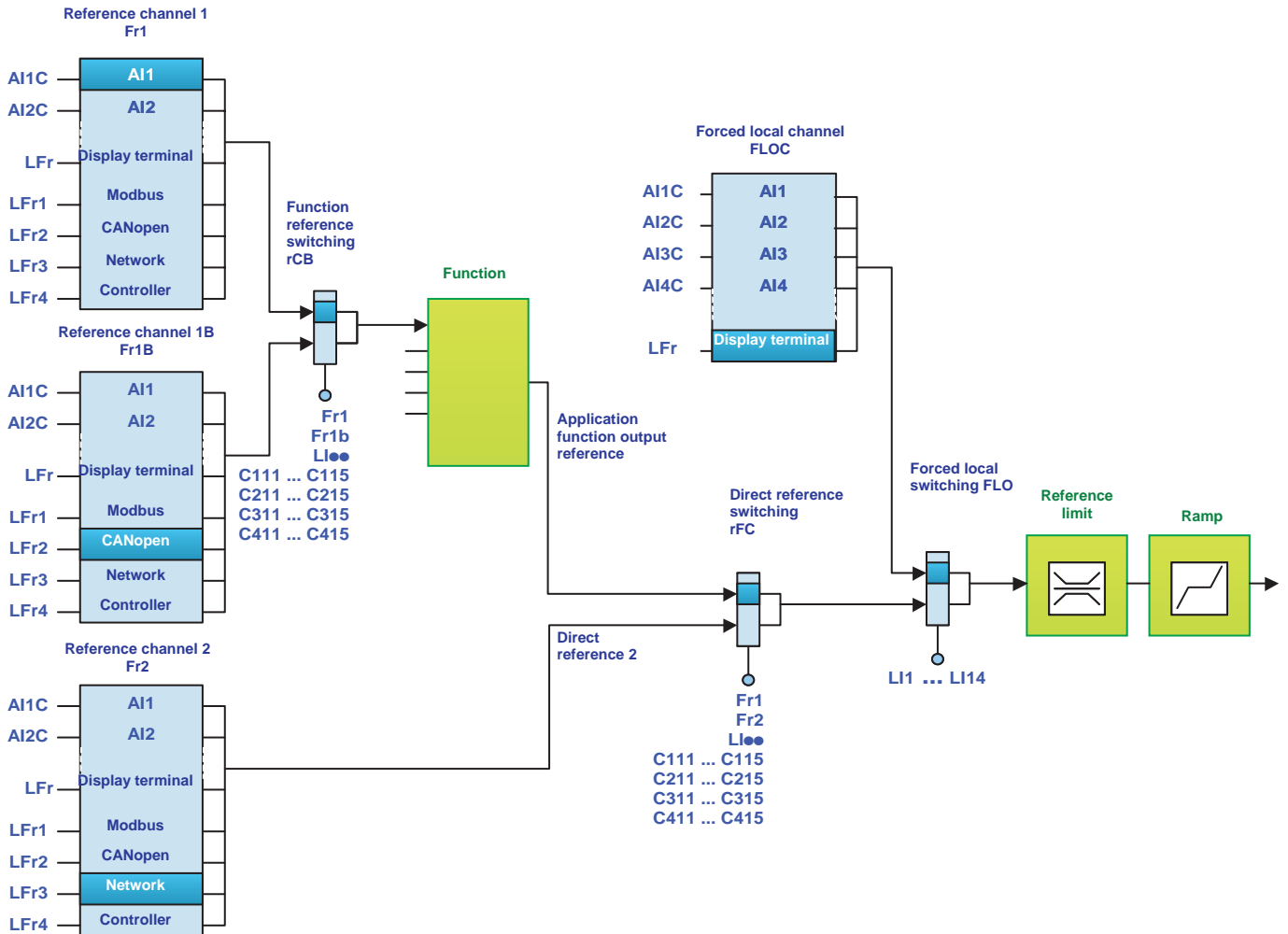
Forced local mode

Forced local mode and reference switching

A detailed description is given in the Programming Manual.

This diagram shows reference switching as applicable to the following modes:

- CiA402 profile and separate mode
- CiA402 profile and not separate mode

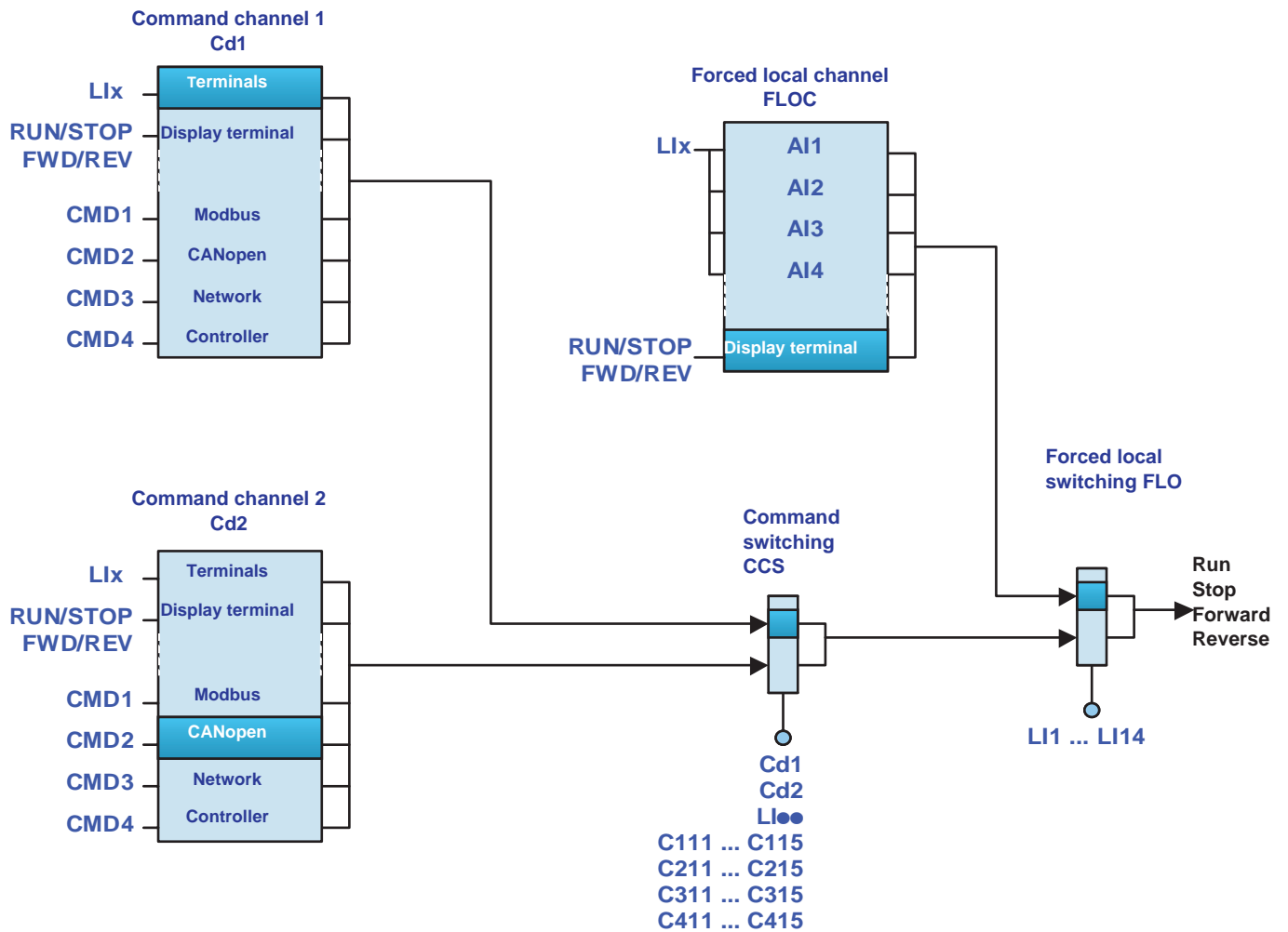


Forced local mode

Forced local mode and command switching

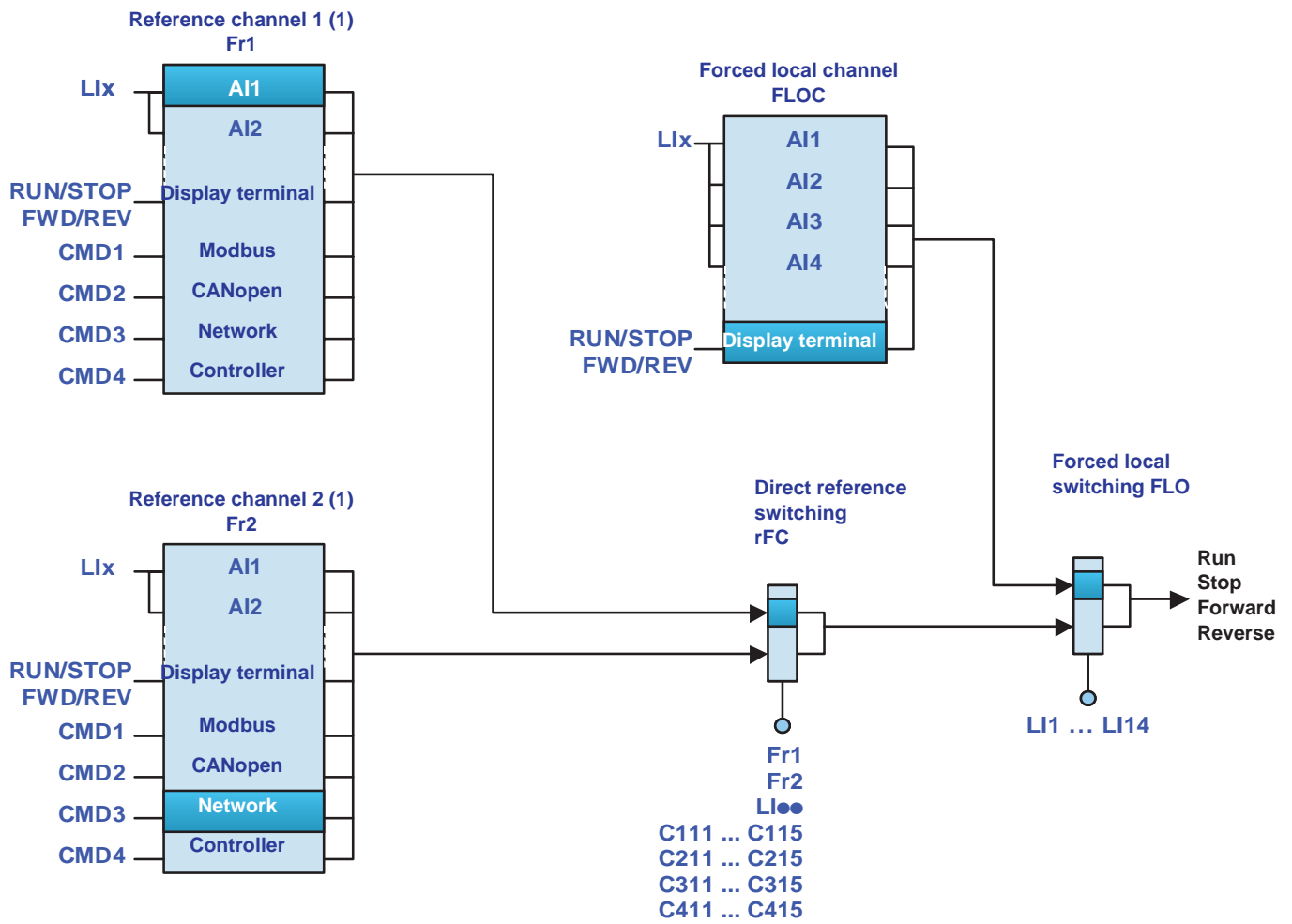
A detailed description is given in the Programming Manual.

CiA402 profile (separate mode)



Forced local mode

CiA402 profile (not separate mode)



(1) In not separate mode, command switching follows reference switching. It is therefore reference switching that switches the command.

Priority stops

Priority stops on the graphic display terminal

If the graphic display terminal is not the active command channel, pressing the STOP key on the graphic display terminal causes a freewheel stop if:

- The **[Stop Key priority] (PSt)** parameter in the **[1.6 - COMMAND] (CtL-)** menu is configured to **[Yes] (YES)** (factory setting).

If the graphic display terminal is the active command channel, the STOP key causes a stop according to the type of stop configured in the **[Type of stop] (Stt)** parameter, regardless of the value of the **[Stop Key priority] (PSt)** parameter.

The effect of the graphic display terminal does not depend on the profile.

Priority stops via the terminals or the network

I/O profile

In the I/O profile:

Stop and fault commands, configured as fixed assignments (**LI●●, C1●●, C2●●, C3●●, C4●●**), on terminal inputs or control word bits, have priority even if the channel is not active.

Commands, configured as switched assignments (**Cd00 ... Cd15**), are active if and only if the channel is active.

Fixed assignments are configured by the following values:

Channel	Run on state command [2 wire] (2C)	Run on edge command [3 wire] (3C)
Drive terminals	LI2 ... LI6	LI3 ... LI6
Logic I/O card	LI7 ... LI10	
Extended I/O card	LI11 ... LI14	
Integrated Modbus	C101 ... C115	C102 ... C115
CANopen	C201 ... C215	C202 ... C215
Communication card	C301 ... C315	C302 ... C315
"Controller Inside" card	C401 ... C415	C402 ... C415

Command	Configuration	= 0	= 1	Value for starting ⁽¹⁾
Freewheel stop	[Freewheel stop ass.] (nSt)	Stop	No stop	1
Fast stop	[Fast stop assign.] (FSt)	Stop	No stop	1
DC injection braking	[DC injection assign.] (dCI)	No braking	Braking	0
External fault	[External fault ass.] (EtF)	No fault	Fault	0

⁽¹⁾ If the assignment is fixed, the value necessary for starting, even if another channel is active.

In run on edge command, configured by **[3 wire] (3C)**:

The stop command (run enable) is assigned by construction to switched order 0 (equivalent to **Cd00**):

- It is active at the terminals (**LI1**) only if the terminals are active
- It is active via the network (bit 0) only if the network is active

Priority stops

CiA402 profile

In the CiA402 profile, separate or not separate mode:

External stop and fault commands, configured as fixed assignments (L1●●, C1●●, C2●●, C3●●, C4●●), on terminal inputs or control word bits, have priority even if the channel is not active.

Commands, configured as switched assignments (Cd11 ... Cd15), are active if and only if the channel is active.

Fixed assignments are configured by the following values:

Channel	Run on state command [2 wire] (2C)	Run on edge command [3 wire] (3C)
Drive terminals	LI2 ... LI6	LI3 ... LI6
Logic I/O card	LI7 ... LI10	
Extended I/O card	LI11 ... LI14	
Integrated Modbus	C111 ... C115	
CANopen	C211 ... C215	
Communication card	C311 ... C315	
"Controller Inside" card	C411 ... C415	

C●11 is assigned by default to the reverse direction command [Reverse assign.] (rrS).

At the terminals:

Command	Configuration	= 0	= 1	Value for starting ⁽¹⁾	State reached from 5-Operation enabled
Freewheel stop	[Freewheel stop ass.] (nSt)	Stop	No stop	1	2-Switch on disabled
Fast stop	[Fast stop assign.] (FSt)	Stop	No stop	1	4-Switched on
DC injection braking	[DC injection assign.] (dCI)	No braking	Braking	0	5-Operation enabled
External fault	[External fault ass.] (EtF)	No fault	Fault	0	8-Fault

⁽¹⁾ If the assignment is fixed, the value necessary for starting, even if another channel is active.

In run on edge command, configured by [3 wire] (3C), the stop command (run enable) is assigned by construction to LI1. This command is active even if the terminals are not the active channel.

Via the network:

Command	Configuration	= 0	= 1	Value for starting ⁽¹⁾	State reached from 5-Operation enabled
Fast stop	[Fast stop assign.] (FSt)	No stop	Stop	0	4-Switched on
DC injection braking	[DC injection assign.] (dCI)	No braking	Braking	0	5-Operation enabled
External fault	[External fault ass.] (EtF)	No fault	Fault	0	8-Fault

⁽¹⁾ If the assignment is fixed, the value necessary for starting, even if another channel is active.

In the CiA402 profile, the freewheel stop command [Freewheel stop ass.] (nSt) cannot be assigned to the control word. Freewheel stop is obtained via the "5-Disable operation" or "Halt" command with the Type of Stop [Type of stop] (Stt) parameter configured to [Freewheel] (nSt).

Communication monitoring

The Altivar 61 drive incorporates communication monitoring mechanisms.

Principle

Following initialization (power-up), the drive waits until at least one command or reference parameter has been written for the first time by the network.

Then, the network is monitored and if a network fault occurs, the drive reacts according to the configuration (ignore fault, stop on drive fault, speed maintenance, fallback speed, or stop without fault).

The drive can start only once all the command and reference parameters of the active network have been written.

Network monitoring criteria

The network is monitored in accordance with protocol-specific criteria, which are summarized in the table below and specified in the corresponding protocol manual.

Protocol	Network problem	Related drive fault (1)
Integrated Modbus ports	<ul style="list-style-type: none"> Adjustable time-out for received requests destined for the drive 	[Modbus com.] (SLF1)
Integrated CANopen port	<ul style="list-style-type: none"> Bus Off Life Guarding CANoverrun Heartbeat NMT state machine transition 	[CANopen com.] (COF)
Modbus TCP/IP Ethernet card	Network management fault: <ul style="list-style-type: none"> FDR fault IP address duplication fault 	[External fault com.] (EPF2)
	Communication fault: <ul style="list-style-type: none"> Adjustable time-out for received control word (I/O scanning or messaging) Network overload 	
Fipio card	<ul style="list-style-type: none"> Non-adjustable time-out for received periodic variables destined for the drive 	
Modbus Plus card	<ul style="list-style-type: none"> Adjustable time-out: <ul style="list-style-type: none"> Either for received periodic variables (Peer cop) destined for the drive Or for Modbus messages destined for the drive, if no periodic variables (Peer cop) configured 	[Com. network] (CnF)
Modbus card	<ul style="list-style-type: none"> Fixed time-out (10 s) for received requests destined for the drive 	
Uni-Telway card	<ul style="list-style-type: none"> Fixed time-out (10 s) for master polling 	
Profibus DP card	<ul style="list-style-type: none"> Adjustable time-out (via the network configuration software) for received periodic variables (PZD and PKW) destined for the drive 	
INTERBUS card	<ul style="list-style-type: none"> Time-out for received periodic variables destined for the drive 	
DeviceNet card	Communication fault: <ul style="list-style-type: none"> Adjustable time-out: <ul style="list-style-type: none"> Either for received periodic variables (Polling and COS) destined for the drive Or for network activity, if no periodic variables configured 	
	Configuration fault: <ul style="list-style-type: none"> The drive configuration is incompatible with the selected assembly devices 	[External fault com.] (EPF2)

(1) If the drive is configured to trip on a fault in the event of a network fault.

If an anomaly is detected, the port or network card indicates a network fault.

Communication monitoring

Behavior in the event of a network fault

In the event of a network fault (on a monitored channel), the drive reacts as specified in the [1.8 - FAULT MANAGEMENT] (FLt-) menu ([COM. FAULT MANAGEMENT] (CLL-) submenu) by the following parameters:

- [Modbus fault mgt] (SLL) for integrated Modbus
- [CANopen fault mgt] (COL) for CANopen
- [Network fault mgt] (CLL) for a network card

The Modbus TCP/IP Ethernet card can also trigger an external fault (in the event of an FDR fault or IP address duplication fault), to which the drive reacts as specified in the [1.8 - FAULT MANAGEMENT] (FLt-) menu ([EXTERNAL FAULT] (EtF-) submenu) by the [External fault mgt] (EPL) parameter.

The drive can react in five possible ways:

1. Drive fault

[Freewheel] (YES): Freewheel stop (factory setting)
[Ramp stop] (rMP): Stop on ramp
[Fast stop] (FSI): Fast stop
[DC injection] (dCI): DC injection stop

The fault displayed will depend on the source of the communication fault.

- [Modbus com.] (SLF1) for integrated Modbus
- [CANopen com.] (COF) for CANopen
- [Com. network] (CnF) for a network card
- [External fault com.] (EPF2) for Ethernet card FDR and IP faults

The CiA402 state chart changes to "7 - Fault reaction active" and then to "8 - fault".

2. Stop without fault

[Per STT] (Stt): Stop according to configuration of [Type of stop] (Stt).

There is no drive fault.

If the CiA402 state chart is in "5 - Operation enabled", it changes to "4 - Switched on" after stopping.

3. Ignore fault

[Ignore] (nO): Fault ignored

4. Speed maintenance

[Spd maint.] (rLS): The drive maintains the speed at the time the fault occurred, as long as the fault persists and the run command has not been removed.

There is no drive fault.

If the CiA402 state chart is in "5 - Operation enabled", it remains there.

5. Fallback speed

[Fallback spd] (LFF): Change to fallback speed, maintained as long as the fault persists and the run command has not been removed.

There is no drive fault.

If the CiA402 state chart is in "5 - Operation enabled", it remains there.

The fallback speed can be configured in the [1.8 - FAULT MANAGEMENT] (FLt-) menu using the [Fallback speed] (LFF) parameter.

Note: The drive will not start up immediately at the fallback speed. If there is a loss of communication, the drive will only run at the fallback speed if the run command was present when the communication fault occurred.

In the event of a control system being used to ensure switchover to an active safe state if there is a loss of communication, drives that have been stopped must always be left in the run state (5 - Operation enabled) with zero reference to ensure that they change to the fallback speed.

Communication monitoring

Detailed operation

Monitoring of communication channels

- The drive monitors all its communication channels.
- Communication problems are indicated on the LEDs on the card or drive or on the graphic display terminal. However, a problem does not always trigger a network fault or a drive fault.
 - **Example:**
If a drive is controlled via the I/O and only monitored via an Ethernet network, an Ethernet communication problem does not cause a fault.
- As soon as a command or reference parameter has been written for the first time on a communication channel, this channel is said to be connected.
- A channel is said to be participant if it transmits a command or reference parameter necessary for controlling the drive (see list in the table below).

Channel state	Parameter	Assignment
If the channel is the active command channel	Control word (CMd)	[Cmd channel 1] (Cd1) or [Cmd channel 2] (Cd2)
If the channel is the active reference channel	Frequency reference (LFr) or Speed reference (LFrd)	[Ref.1 channel] (Fr1) or [Ref.1B channel] (Fr1b) or [Ref.2 channel] (Fr2)
Whatever the channel state	Control word (CMd) containing a command or reference switch	[Cmd switching] (CCS) or [Ref 1B switching] (rCb) or [Ref. 2 switching] (rFC)
	Frequency reference (LFr) or Speed reference (LFrd), either summing or subtracting	[Summing ref. 2] (SA2) or [Summing ref. 3] (SA3) or [Subtract ref. 2] (dA2) or [Subtract ref. 3] (dA3)
	PID regulator reference (PISP)	[Ref.1 channel] (Fr1)
	Network analog input [Network AI] (AIU1)	[PID feedback ass.] (PIF) or [AI net. channel] (AIC1)
	Reference multiplication coefficient (MFr)	[Multiplier ref. 2] (MA2) or [Multiplier ref. 3] (MA3)

- **Example:**
If the operation on reference function [REF. OPERATIONS] (OAI-) is active and a summing reference [Summing ref. 2] (SA2) has been assigned to [Modbus] (Mdb), the Modbus reference plays a part in control.
- If a communication problem occurs on a connected participant channel, then the drive triggers a network fault. The drive reacts according to the network fault configuration (drive fault, stop without fault, ignore fault, maintain speed or fallback speed).
- If a communication problem occurs on a non-participant or disconnected channel, the drive does not trigger a network fault or a drive fault. This in particular avoids the occurrence of spurious faults when installations are powered up.
 - **Example:**
A drive is controlled via CANopen and is powered-up.
The PLC is powered up but is not in RUN mode. The network is operational but no parameter has been sent to the drive yet. If the drive is disconnected from the CANopen network, a communication problem occurs, but no fault.
- The channel disconnects in the event of a communication problem.

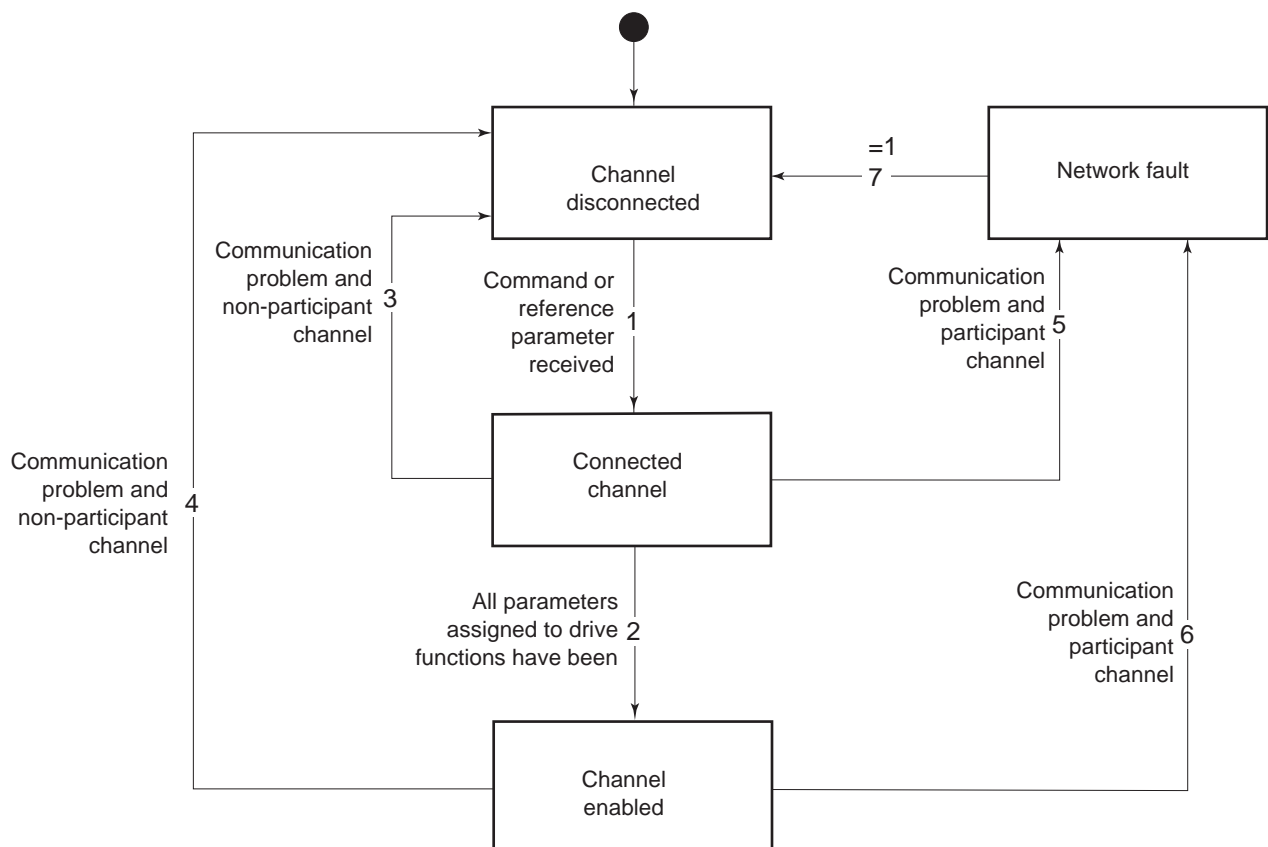
Note: A control word (CMd) of a channel other than the active channel with fixed bit assignments, other than channel switches (fast stop, preset speeds, etc.) is not considered to be participant. A communication problem will not cause a network fault.

- **Example:**
A drive is equipped with a "Controller Inside" card and an Ethernet card.
The "Controller Inside" card controls the drive (command and reference).
One bit of the Ethernet control word is assigned to "fast stop".
If the drive is disconnected from the Ethernet network, the drive can no longer be stopped via Ethernet (however, a drive fault is not triggered).

Communication monitoring

Enabling of communication channels

- A communication channel is enabled if all its parameters assigned to drive functions have been received.
 - **Example:**
A drive is in I/O profile with speed control. Modbus constitutes both the command and reference channel.
The Modbus channel will be enabled as soon as the control word and speed reference have been received.
- The drive is only able to start if all participant channels are enabled.
 - **Example 1:**
A drive in CiA402 profile is connected to Modbus, which is the active channel.
Unless the reference has been written at least once, it will not be possible to proceed to "5 - Operation enabled" state, even if the "4 - Enable operation" command is sent.
 - **Example 2:**
A drive is connected to Modbus.
The terminals are both the reference and command channel.
The operation on reference function [REF. OPERATIONS] (OAI-) is active and summing input 2 is assigned to Modbus.
The drive will not start until the reference has been supplied by Modbus.
 - **Example 3:**
A drive is configured for switching between the terminals and CANopen.
If the command switch is assigned to the Ethernet card, start-up is only possible once the Ethernet channel is enabled.
- A communication problem disables a communication channel.
- When switching from an enabled channel to a disabled channel, the drive immediately triggers a network fault.



Special case involving Modbus TCP/IP Ethernet card

- The Ethernet card can generate 2 types of network fault: Network management fault and communication fault.
- If a network management fault (IP address duplication or FDR fault) occurs, a drive fault is generated regardless of the state (active, participant, etc.) of this channel.

Assignment of references from a network

Reference parameters

The Altivar 61 supports a number of reference parameters, which must be selected according to the functions used in the drive.

Function used	Input to be assigned	Value	Reference to be sent via the network
Speed reference (rpm)	[Ref.1 channel] (Fr1) [Ref.2 channel] (Fr2) [Ref.1B channel] (Fr1b)	[Modbus] (Mdb) or [CANopen] (CAn) or [Com. card] (nEt)	Speed reference (LFRD)
Frequency reference (0.1 Hz or high resolution)	[Ref.1 channel] (Fr1) [Ref.2 channel] (Fr2) [Ref.1B channel] (Fr1b)	[Modbus] (Mdb) or [CANopen] (CAn) or [Com. card] (nEt)	Frequency reference (LFR)
Sum	[Summing ref. 2] (SA2) [Summing ref. 3] (SA3)	[Modbus] (Mdb) or [CANopen] (CAn) or [Com. card] (nEt) or [Network AI] (AIU1)	Speed reference (LFRD) or Frequency reference (LFR)
Subtraction	[Subtract. ref. 2] (dA2) [Subtract. ref. 3] (dA3)	[Modbus] (Mdb) or [CANopen] (CAn) or [Com. card] (nEt) or [Network AI] (AIU1)	Speed reference (LFRD) or Frequency reference (LFR)
Multiplication	[Multiplier ref. 2] (MA2) [Multiplier ref. 3] (MA3)	[Modbus] (Mdb) or [CANopen] (CAn) or [Com. card] (nEt) or [Network AI] (AIU1)	[Multiplying coeff.] (MFr)
PID regulator	[Ref.1 channel] (Fr1) [Ref.1B channel] (Fr1b)	[Modbus] (Mdb) or [CANopen] (CAn) or [Com. card] (nEt)	PID regulator reference (PISP)
	[PID feedback ass.] (PIF)	[Network AI] (AIU1)	PID regulator feedback (AIU1)
	[AI net. channel] (AIC1)	[Modbus] (Mdb) or [CANopen] (CAn) or [Com. card] (nEt)	

Example 1:

The drive is to be controlled by sending the speed reference to the PID regulator via CANopen. No application function is used.

The following must be assigned: [Ref.1 channel] (Fr1) = [CANopen] (CAn)

The following must be sent: Speed reference (LFRD)

Example 2:

The drive is to be controlled by sending the PID regulator reference via Modbus.

The following must be assigned: [Ref.1 channel] (Fr1) = [Modbus] (Mdb)

The following must be sent: PID regulator reference (PISP)

Example 3:

The drive is to be controlled by sending the PID regulator reference and the feedback via the Ethernet card.

The following must be assigned:

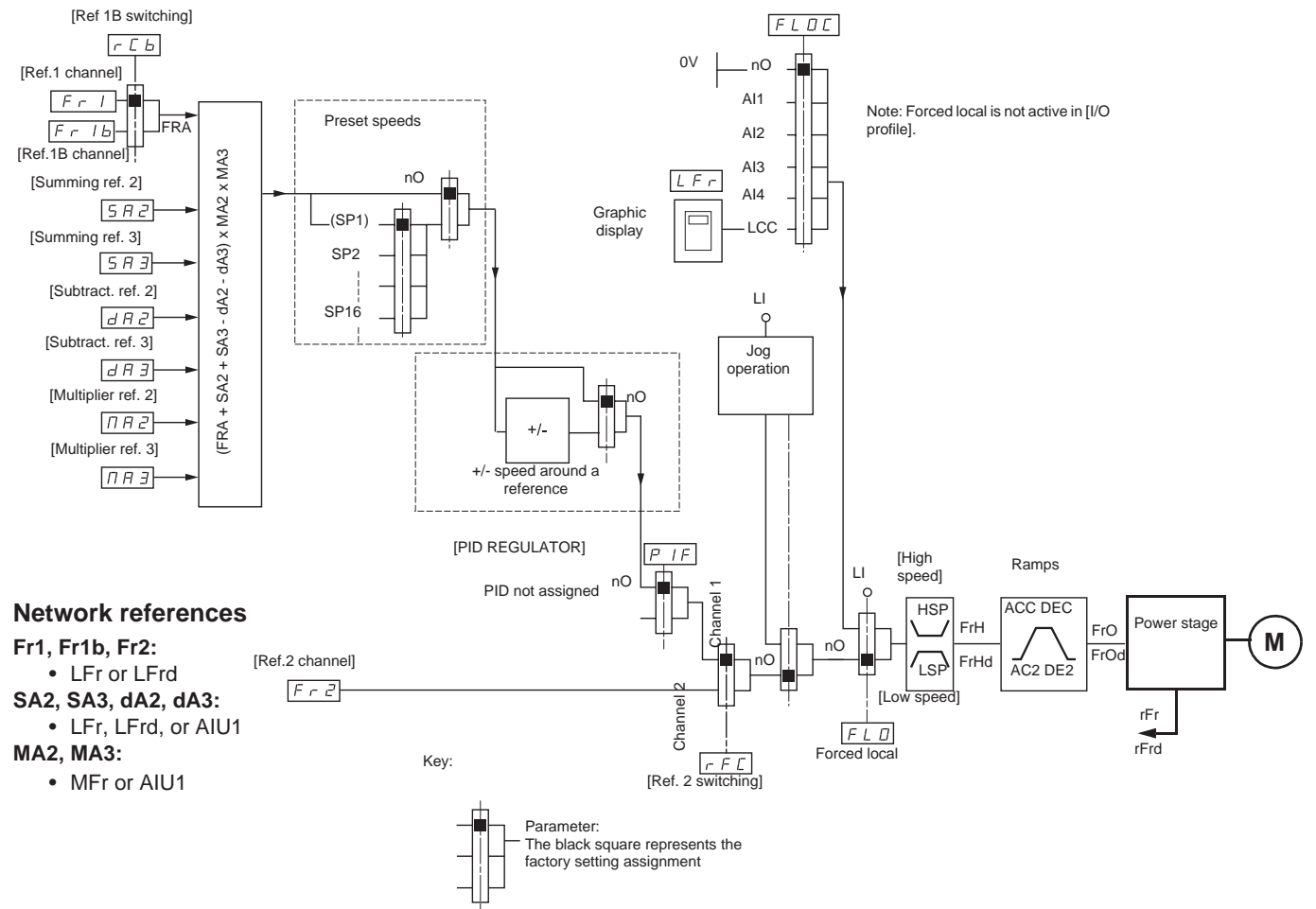
- [Ref.1 channel] (Fr1) = [Com. card] (nEt)
- [PID feedback ass.] (PIF) = [Network AI] (AIU1)
- [AI net. channel] (AIC1) = [Com. card] (nEt)

The following must be sent:

- PID regulator reference (PISP)
- PID regulator feedback (AIU1)

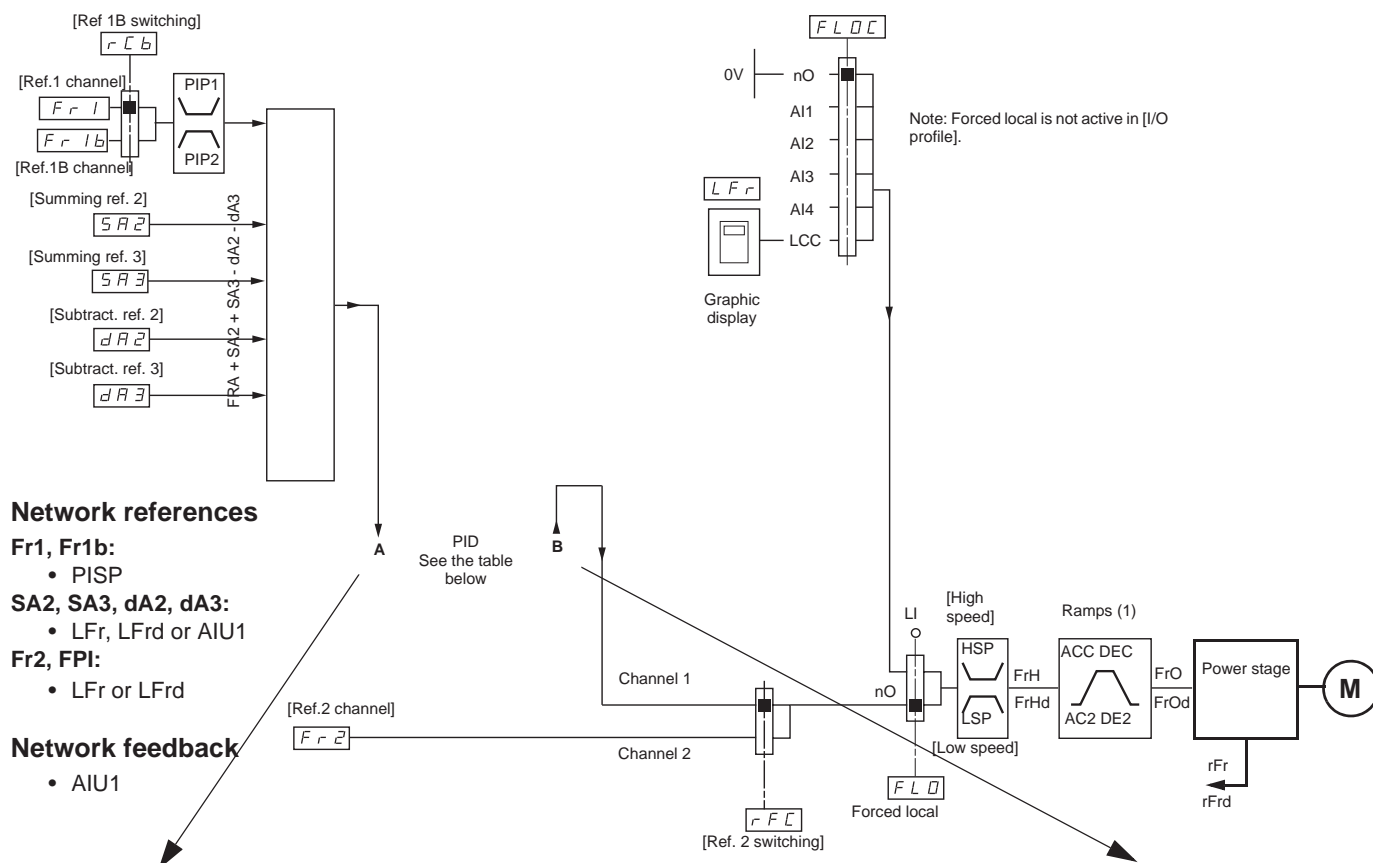
Assignment of references from a network

Without PID regulator



Assignment of references from a network

With PID regulator



Network references

Fr1, Fr1b:

- PISP

SA2, SA3, dA2, dA3:

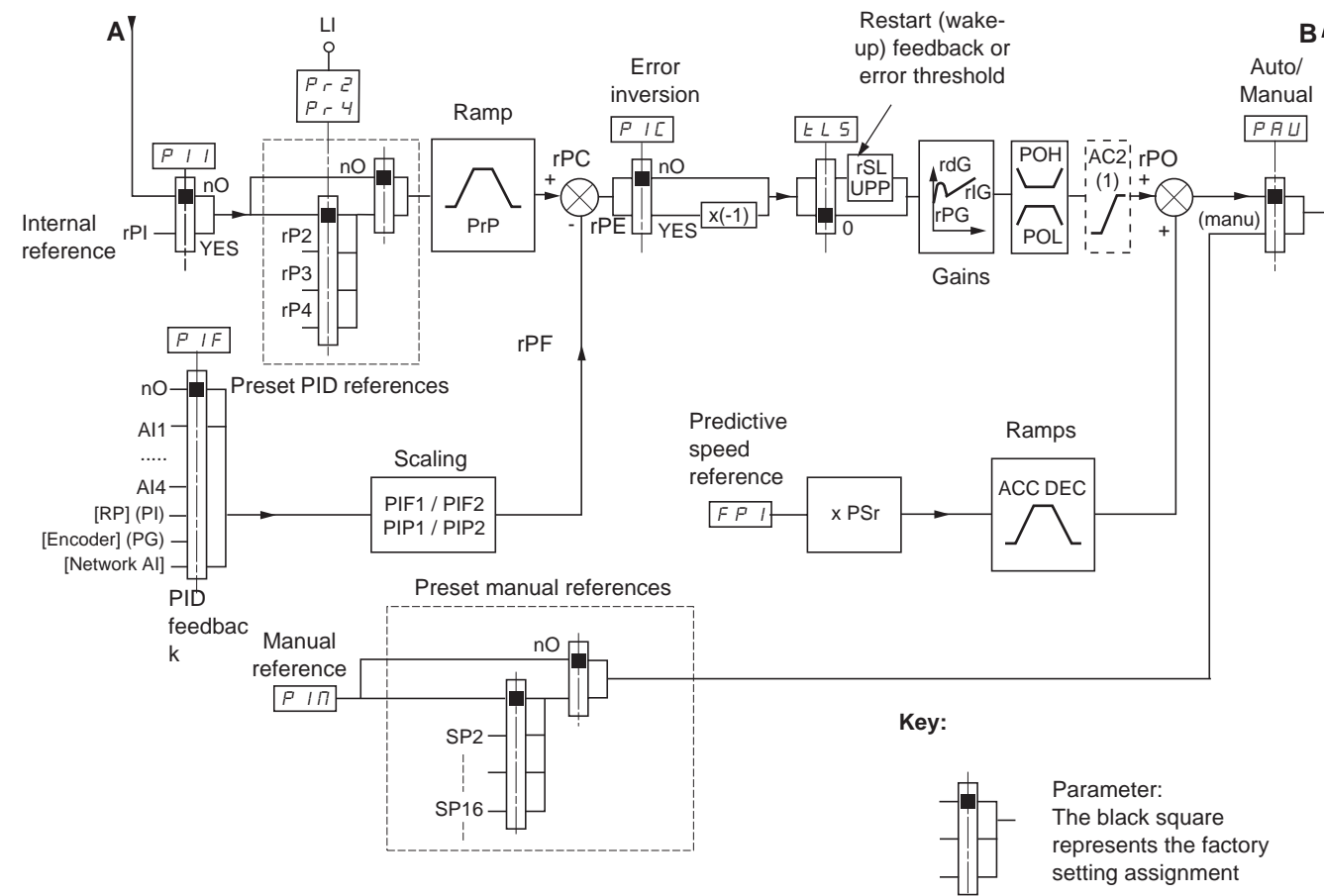
- LFr, LFrD or AIU1

Fr2, FPI:

- LFr or LFrD

Network feedback

- AIU1

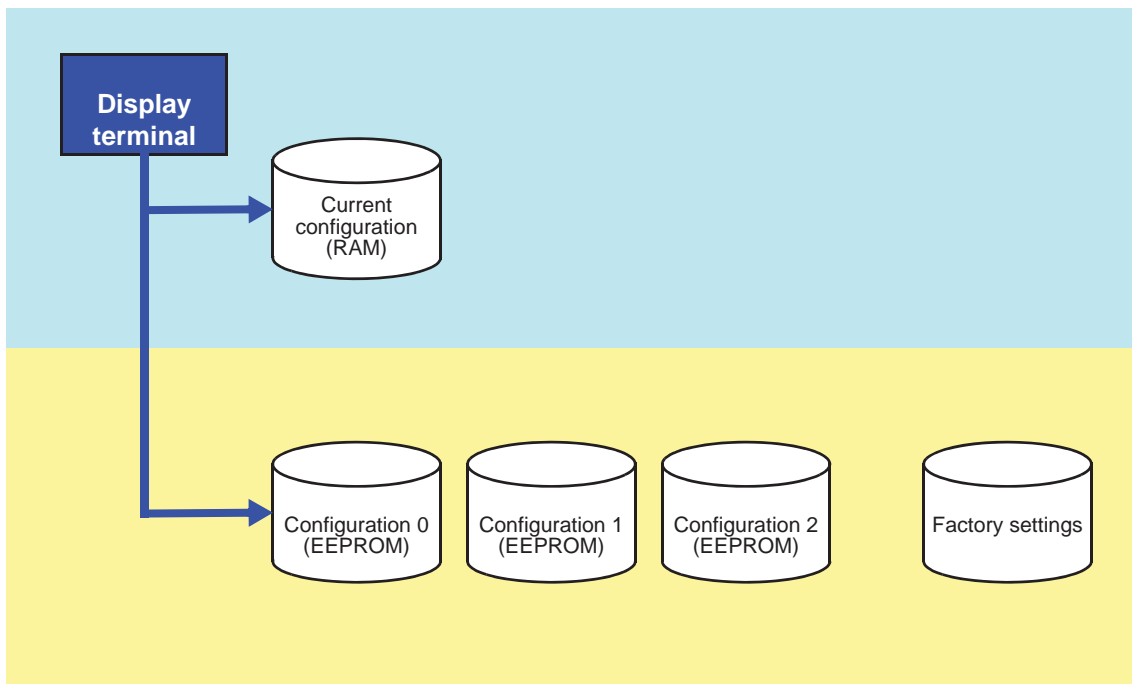


(1) The ramp AC2 is active only at startup of the PID function and during PID "wake-ups".

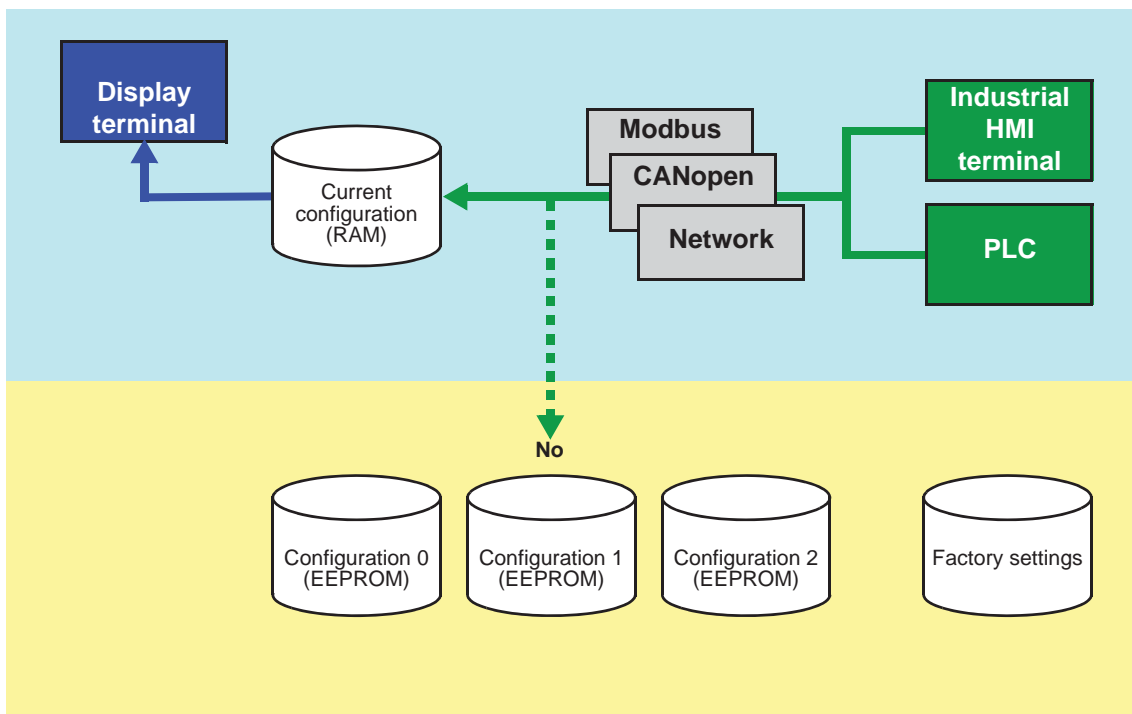
Configuration saving and switching

Saving the configuration

When a parameter is modified via the drive's integrated display terminal or graphic display terminal, this parameter is automatically saved to the EEPROM non-volatile memory.

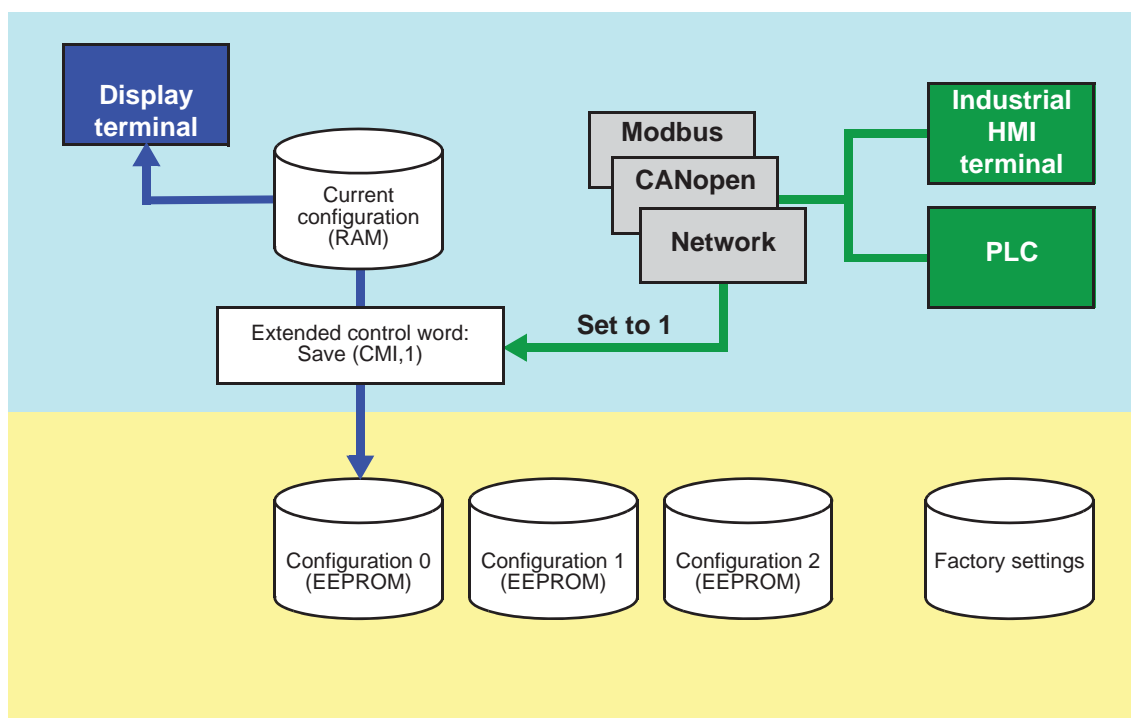


When a parameter is modified using a PLC or an HMI terminal via a network (Modbus, CANopen or a network card), this parameter is written to the current configuration in the RAM volatile memory. It is not saved to the EEPROM non-volatile memory. If the drive control voltage is disconnected, when it is reconnected, the parameter reverts to the initial value and the setting is lost.



Configuration saving and switching

To save the parameter, a save command must be executed using bit 1 of the extended control word (CMI).

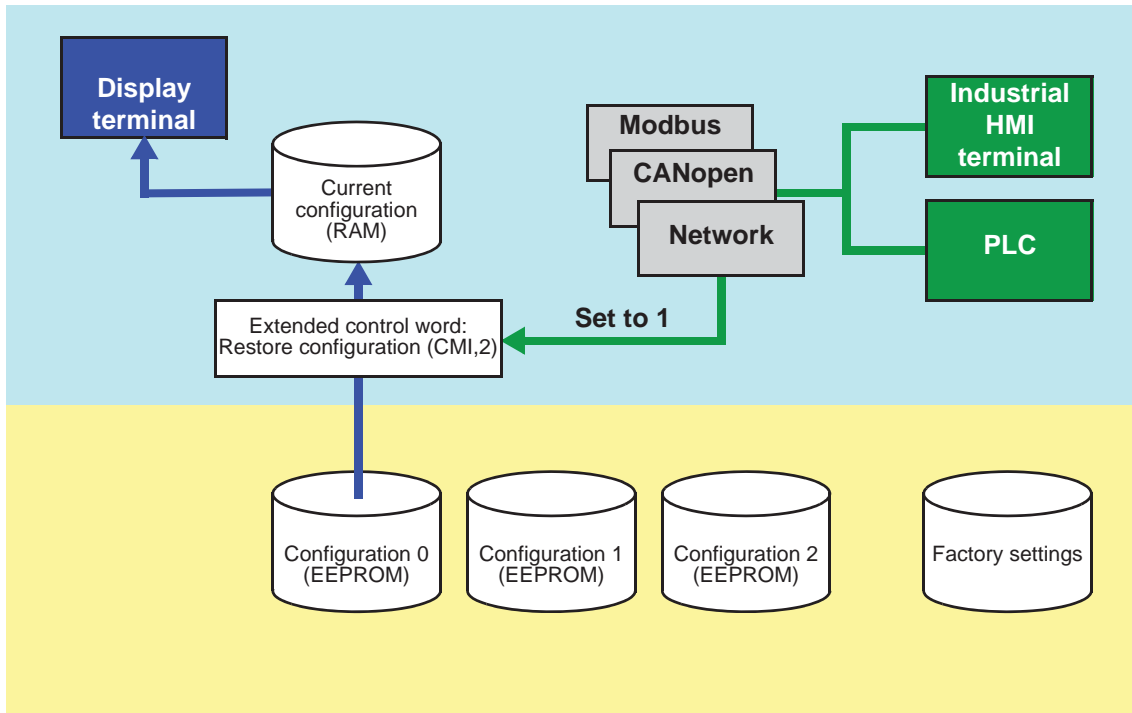


The save command is only active if the drive is stopped, and not in "5-Operation enabled" state.

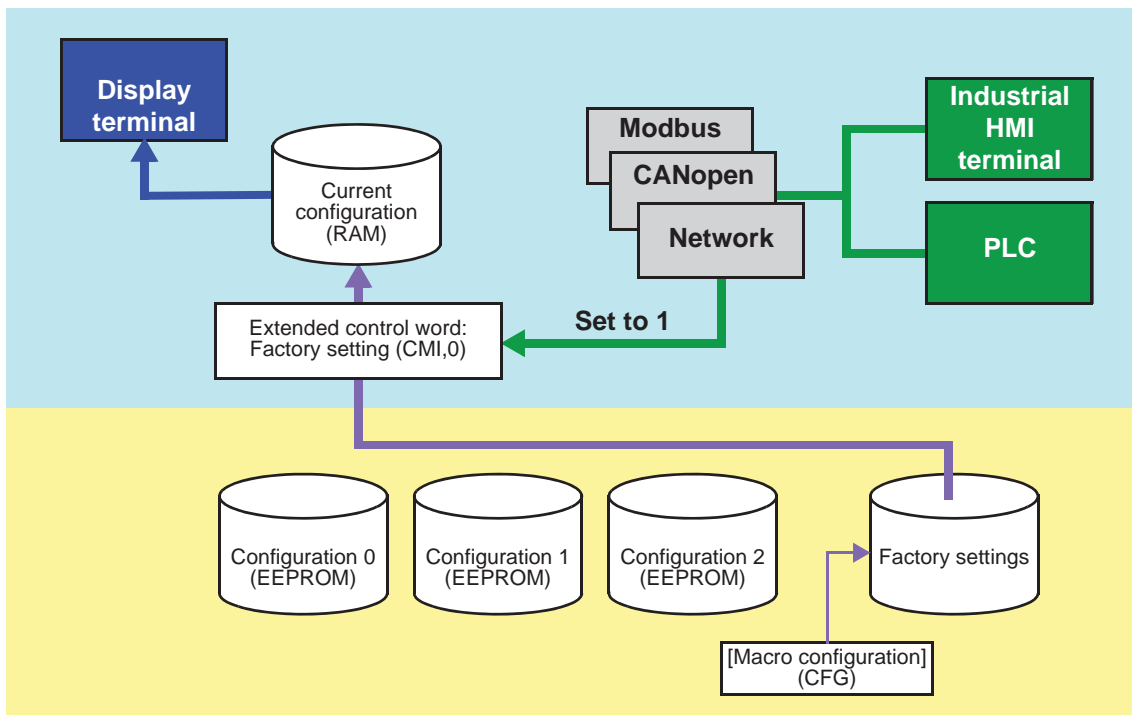
Configuration saving and switching

Restore configuration

The restore configuration command is executed using bit 2 of the extended control word (CMI).



The return to factory settings command is executed using bit 0 of the extended control word (CMI). The type of setting is determined by the active macro configuration parameter [Macro configuration] (CFG) and by the [PARAMETER GROUP LIST] (FrY) parameter which defines the parameter groups concerned.

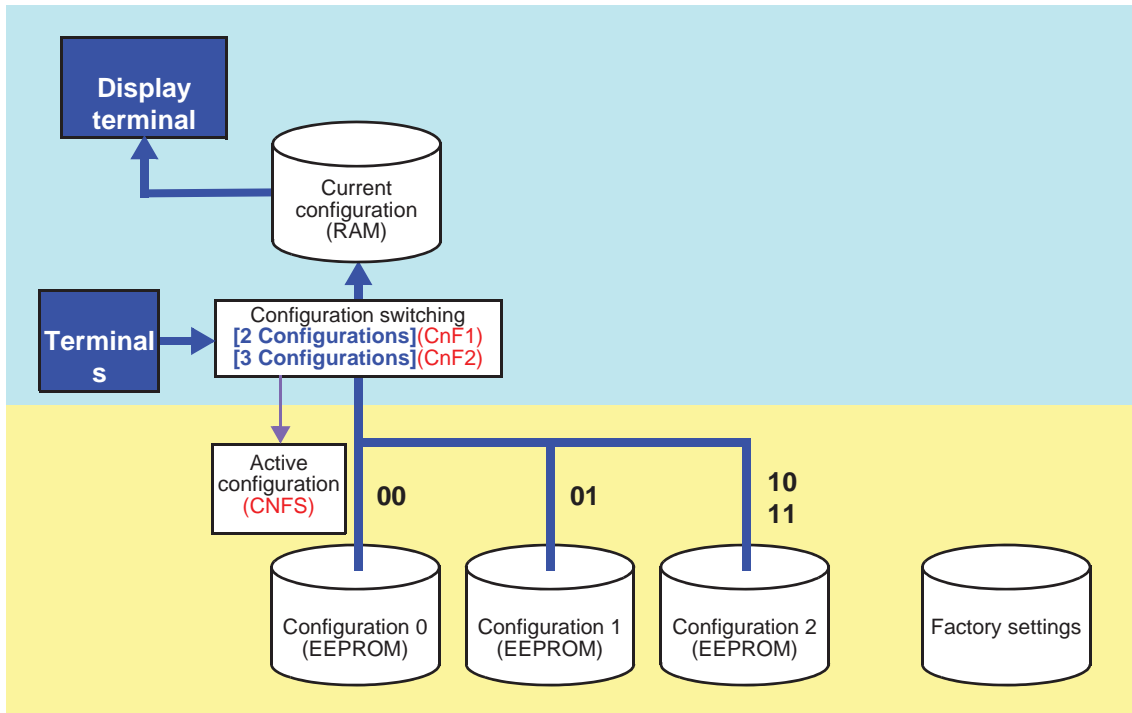


The restore command is only active if the drive is stopped, and not in "5-Operation enabled" state.

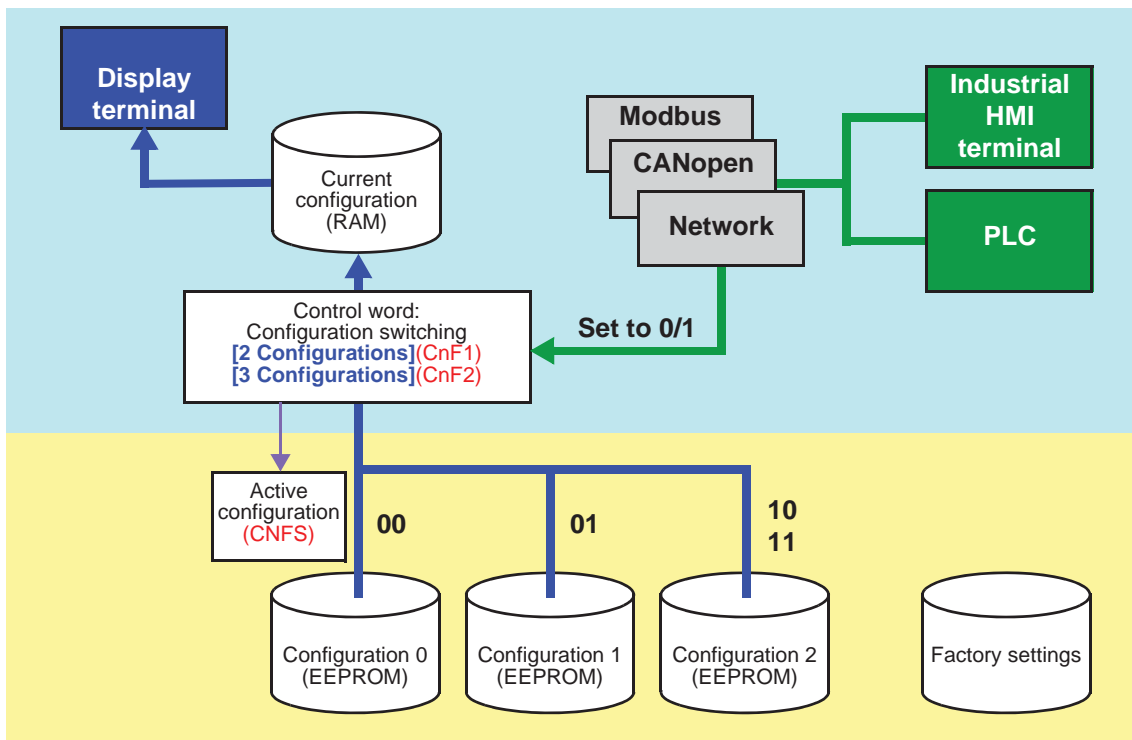
Configuration saving and switching

Configuration switching via control word

The configuration or motor switching function (see the Programming Manual) can be used via the network or via the terminals.

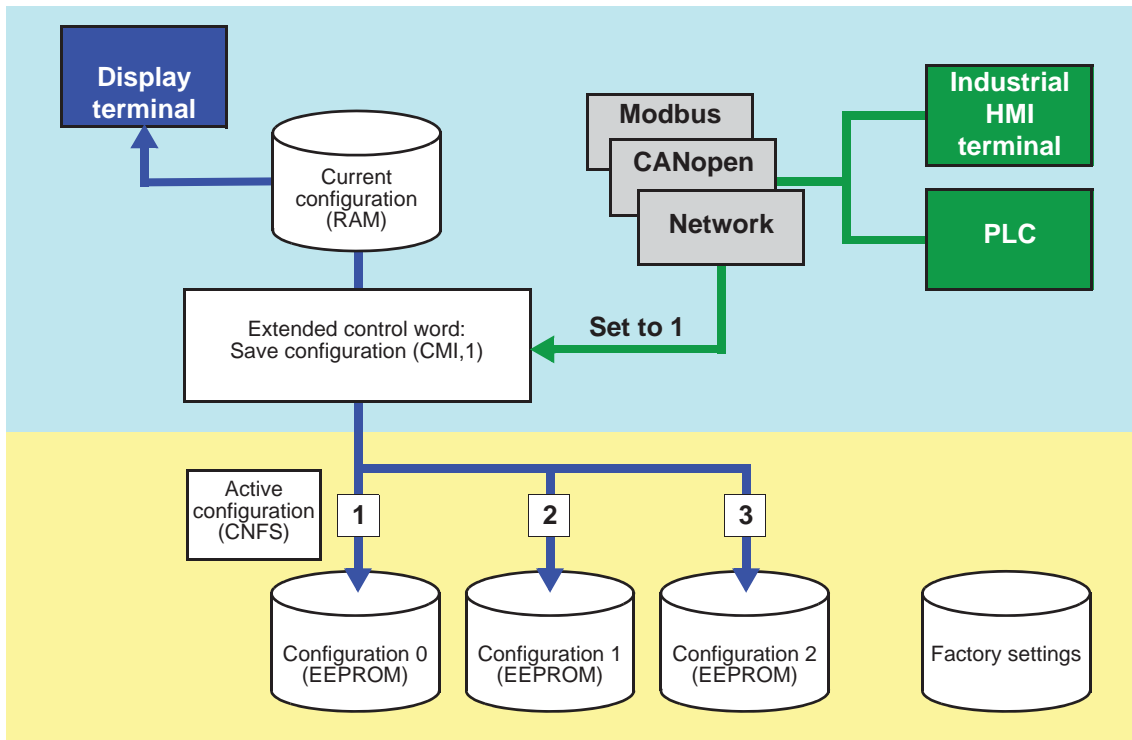


To use this function via a network, simply assign one or two bits of the control word to the motor or configuration switching command via the [2 Configurations] (CnF1) and [3 Configurations] (CnF2) parameters. The active configuration can be read in the [Config. active] (CNFS) parameter.

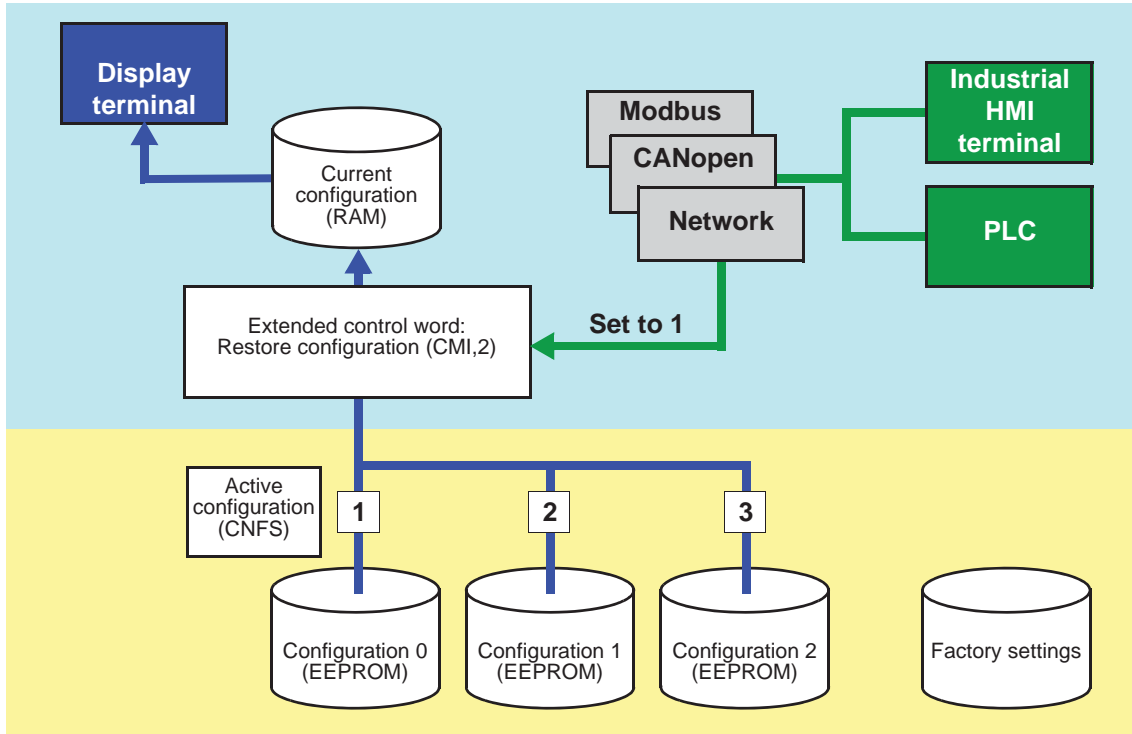


Configuration saving and switching

When the configuration or motor switching function is configured on inputs or on control word bits, to save a configuration that is already active, set bit 1 of the extended control word (CMI) to 1.



When the configuration or motor switching function is configured on inputs or on control word bits, bit 2 of the extended control word (CMI) must be set to 1.



The configuration switching commands are only active if the drive is stopped, and not in "5-Operation enabled" state.

Configuration saving and switching

Function parameters


Code	Description			
CNF1	Parameter name: Assignment for 2 configurations			
	Terminal display: [2 Configurations]			
	Logic address:	8021 = 16#1F55	Type:	WORD (listing)
	CANopen index:	2032/16	Read/write:	R/WS
	INTERBUS index:	5FBC/9C	Factory setting:	0
	DeviceNet path:	9C/01/9C		
See next page.				
CNF2	Parameter name: Assignment for 3 configurations			
	Terminal display: [3 Configurations]			
	Logic address:	8022 = 16#1F56	Type:	WORD (listing)
	CANopen index:	2032/17	Read/write:	R/WS
	INTERBUS index:	5FBC/9D	Factory setting:	0
	DeviceNet path:	9C/01/9D		
See next page.				
CnFS	Parameter name: Active configuration			
	Terminal display: [Config. active]			
	Logic address:	8020 = 16#1F54	Type:	WORD (listing)
	CANopen index:	2032/15	Read/write:	R
	INTERBUS index:	5FB9/D1		
	DeviceNet path:	89/01/15		
0 = The parameter set switching function is not configured 1 = (CNF0) : Configuration no. 0 active 2 = (CNF1) : Configuration no. 1 active 3 = (CNF2) : Configuration no. 2 active				

Value of the control bit assigned by [2 Configurations] (CnF1)	0	1	0	1
Value of the control bit assigned by [3 Configurations] (CnF2)	0	0	1	1
Value of [Config. active] (CnFS)	1	2	3	3
Active configuration	0	1	2	2

Configuration saving and switching

Assignment of logic inputs and control bits for CNF1 and CNF2

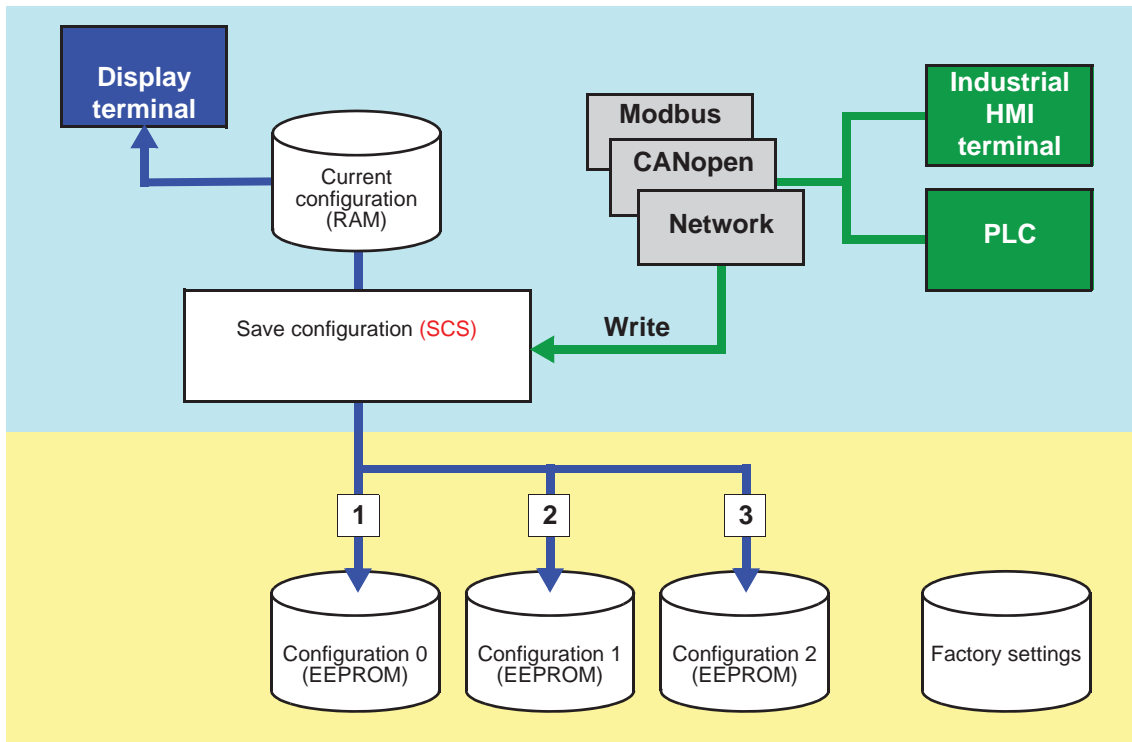
Value	Assignment	Description/Condition
0	Not assigned	
129 to 134	[LI1] (LI1) to [LI6] (LI6)	Logic inputs Drive with or without option
135 to 138	[LI7] (LI7) to [LI10] (LI10)	Logic inputs With VW3A3201 logic I/O card
139 to 142	[LI11] (LI11) to [LI14] (LI14)	Logic inputs With VW3A3202 extended I/O card
187 to 191	[C111] (C111) to [C115] (C115)	Control bit With integrated Modbus regardless of configuration
203 to 207	[C211] (C211) to [C215] (C215)	Control bit With integrated CANopen regardless of configuration
219 to 223	[C311] (C311) to [C315] (C315)	Control bit With a communication card regardless of configuration
235 to 239	[C411] (C411) to [C415] (C415)	Control bit With Controller Inside card regardless of configuration

 **Note:** In [I/O profile] (IO) configuration, LI1 cannot be accessed and if [2/3 wire control] (tCC) = [3 wire] (3C); LI2 cannot be accessed either.

Configuration saving and switching

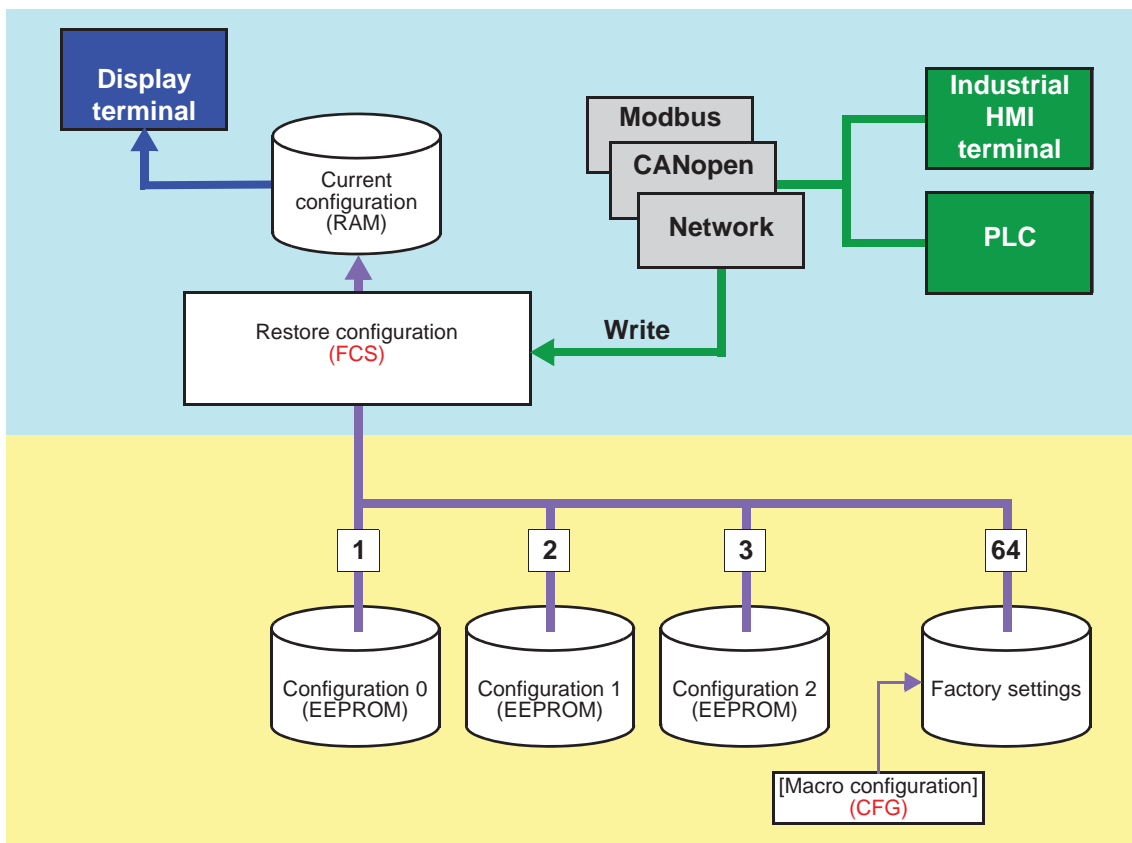
Configuration switching by selection

The current configuration can be saved in one of the 3 non-volatile configurations in EEPROM using the "Save configuration" (SCS) parameter. In this case, it is not necessary to assign a function in the control word.



One of the 3 non-volatile configurations in EEPROM can be restored to the current configuration using the "Restore configuration" (FCS) parameter.

Note: Value 64 controls the return to factory settings.



The configuration switching commands are only active if the drive is stopped, and not in "5-Operation enabled" state.

Configuration saving and switching

Function parameters

Code	Description	
SCS	Parameter name: Save configuration	
	Logic address: 8001 = 16#1F41	Type: WORD (listing)
	CANopen index: 2032/2	Read/write: R/WS
	INTERBUS index: 5FBC/9A	
	DeviceNet path: 9C/01/9A	
0 = No save 1 = Save to configuration no. 0 2 = Save to configuration no. 1 3 = Save to configuration no. 2		
FCS	Parameter name: Restore configuration	
	Logic address: 8002 = 16#1F42	Type: WORD (listing)
	CANopen index: 2032/3	Read/write: R/WS
	INTERBUS index: 5FBC/9B	
	DeviceNet path: 9C/01/9B	
0 = No restore 1 = Restore configuration no. 0 2 = Restore configuration no. 1 3 = Restore configuration no. 2 64 = Factory setting		
FrY	Parameter name: Parameter groups	
	Terminal display: [PARAMETER GROUP LIST]	
	Logic address: 3022 = 16#0BCE	Type: WORD (bit register)
	CANopen index: 2000/17	Read/write: R/WS
	INTERBUS index: 5FBC/06	Factory setting: 0
	DeviceNet path: 70/01/17	
<p>Selection of menus to be loaded</p> <p>bit 0 = 1: [All] (ALL): All parameters</p> <p>bit 1 = 1: [Drive menu] (drM): The [1 DRIVE MENU] menu without [1.9 COMMUNICATION] and [1.14 CONTROL INSIDE MENU]. In the [7 DISPLAY CONFIG.] menu, [Return std name] returns to [No]</p> <p>bit 2 = 1: [Settings] (SEt): The [1.3 SETTINGS] menu without the [IR compensation] (UFR), [Slip compensation] (SLP) and [Mot. therm. current] (ItH) parameters</p> <p>bit 3 = 1: [Motor param] (MOt): Motor parameters: [Rated motor power] (nPr) - [Rated motor volt.] (UnS) - [Rated mot. current] (nCr) - [Rated motor freq.] (FrS) - [Rated motor speed] (nSP) - [Auto tuning] (tUn) - [Auto tuning state] (tUS) - [U0] (U0) to [U5] (U5) - [F1] (F1) to [F5] (F5) - [V. constant power] (UCP) - [Freq. Const Power] (FCP) - [Nominal I sync.] (nCrS) - [Nom motor spdsync] (nSPS) - [Pole pairs] (PPnS) - [Syn. EMF constant] (PHS) - [Autotune L d-axis] (LdS) - [Autotune L q-axis] (LqS) - [Cust. stator R syn] (rSAS) - [IR compensation] (UFR) - [Slip compensation] (SLP) - the motor parameters that can be accessed in [Expert] mode</p> <p>The following options can only be accessed if [Config. Source] (FCSI) = [Macro-Conf] (InI):</p> <p>bit 4 = 1: [Comm. menu] (COM): The [1.9 COMMUNICATION] menu without either [Scan. IN1 address] (nMA1) to [Scan. IN8 address] (nMA8) or [Scan.Out1 address] (nCA1) to [Scan.Out8 address] (nCA8)</p> <p>bit 5 = 1: [Control Inside menu] (PLC): The [1.14 CONTROL INSIDE MENU] menu</p> <p>bit 6 = 1: [Monitor config.] (MOn): The [6 MONITORING CONFIG.] menu</p> <p>bit 7 = 1: [Display config.] (dIS): The [7 DISPLAY CONFIG.] menu</p> <p>bits 8 to 15: Reserved (= 0 or 1)</p>		

Parameter set switching

The parameter set switching function (see the Programming Manual) can be used via the network or via the terminals.

To use this function via a network, simply assign one or two bits of the control word to parameter set switching via the [\[2 Parameter sets\] \(CHA1\)](#) and [\[3 Parameter sets\] \(CHA2\)](#) parameters.

The active set can be read in the "Active parameter set" [\(CFPS\)](#) parameter.

The parameter sets can be written via a network.

The parameter sets can be switched with the motor running.

Function parameters


Code	Description			
CHA1	Parameter name: Assignment for 2 sets			
	Terminal display: [2 Parameter sets]			
	Logic address:	12902 = 16#3266	Type:	WORD (listing)
	CANopen index:	2063/3	Read/write:	R/WS
	INTERBUS index:	5FBD/3A	Factory setting:	0
	DeviceNet path:	A1/01/67		
	See next page.			
CHA2	Parameter name: Assignment for 3 sets			
	Terminal display: [3 Parameter sets]			
	Logic address:	12903 = 16#3267	Type:	WORD (listing)
	CANopen index:	2063/4	Read/write:	R/WS
	INTERBUS index:	5FBD/3B	Factory setting:	0
	DeviceNet path:	A1/01/68		
	See next page.			
CFPS	Parameter name: Active parameter set			
	Logic address:	12900 = 16#3264	Type:	WORD (listing)
	CANopen index:	2063/1	Read/write:	R
	INTERBUS index:	5FB9/EB		
	DeviceNet path:	A1/01/65		
	0 = The parameter set switching function is not configured 1 = [Set 1 active] (CFP1) : Parameter set no. 1 active 2 = [Set 2 active] (CFP2) : Parameter set no. 2 active 3 = [Set 3 active] (CFP3) : Parameter set no. 3 active			

Value of the control bit assigned by [2 Parameter sets] (CHA1)	0	1	0	1
Value of the control bit assigned by [3 Parameter sets] (CHA2)	0	0	1	1
Value of "Active parameter set" (CFPS)	1	2	3	3
Active parameter set	1	2	3	3

Parameter set switching

CHA1 and CHA2 assignment values

Value	Assignment	Description/Condition
0	[No] (nO)	Not assigned
4	[Freq. Th. attain.] (FtA)	Switching via [Freq. threshold] (Ftd)
13	[FreqTh.att.2] (F2A)	Switching via [Freq. threshold 2] (F2d)
129 to 134	[LI1] (LI1) to [LI6] (LI6)	Logic inputs Drive with or without option
135 to 138	[LI7] (LI7) to [LI10] (LI10)	Logic inputs With VW3A3201 logic I/O card
139 to 142	[LI11] (LI11) to [LI14] (LI14)	Logic inputs With VW3A3202 extended I/O card
160 to 170	[CD00] (Cd00) to [CD10] (Cd10)	Switchable bit In [I/O profile] (IO) configuration
171 to 175	[CD11] (Cd11) to [CD15] (Cd15)	Switchable bit Regardless of configuration
177 to 186	[C101] (C101) to [C110] (C110)	Control bit With integrated Modbus in [I/O profile] (IO) configuration
187 to 191	[C111] (C111) to [C115] (C115)	Control bit With integrated Modbus regardless of configuration
193 to 202	[C201] (C201) to [C210] (C210)	Control bit With integrated CANopen in [I/O profile] (IO) configuration
203 to 207	[C211] (C211) to [C215] (C215)	Control bit With integrated CANopen regardless of configuration
209 to 218	[C301] (C301) to [C310] (C310)	Control bit With a communication card in [I/O profile] (IO) configuration
219 to 223	[C311] (C311) to [C315] (C315)	Control bit With a communication card regardless of configuration
225 to 234	[C401] (C401) to [C410] (C410)	Control bit With Controller Inside card in [I/O profile] (IO) configuration
235 to 239	[C411] (C411) to [C415] (C415)	Control bit With Controller Inside card regardless of configuration

 **Note:** In [I/O profile] (IO) configuration, LI1 cannot be accessed and if [2/3 wire control] (tCC) = [3 wire] (3C), LI2, C101, C201, C301 and C401 cannot be accessed either.

Parameter set switching

Parameter sets can be loaded via the following parameters:

Address table:

No.	Code	Logic address:	CANopen index:	INTERBUS index:	DeviceNet path:
1	AD01	12911 = 16#326F	2063/C	5FBF/6A	9F/01/8C
2	AD02	12912 = 16#3270	2063/D	5FBF/6B	9F/01/8D
3	AD03	12913 = 16#3271	2063/E	5FBF/6C	9F/01/8E
4	AD04	12914 = 16#3272	2063/F	5FBF/6D	9F/01/8F
5	AD05	12915 = 16#3273	2063/10	5FBF/6E	9F/01/90
6	AD06	12916 = 16#3274	2063/11	5FBF/6F	9F/01/91
7	AD07	12917 = 16#3275	2063/12	5FBF/70	9F/01/92
8	AD08	12918 = 16#3276	2063/13	5FBF/71	9F/01/93
9	AD09	12919 = 16#3277	2063/14	5FBF/72	9F/01/94
10	AD10	12920 = 16#3278	2063/15	5FBF/73	9F/01/95
11	AD11	12921 = 16#3279	2063/16	5FBF/74	9F/01/96
12	AD12	12922 = 16#327A	2063/17	5FBF/75	9F/01/97
13	AD13	12923 = 16#327B	2063/18	5FBF/76	9F/01/98
14	AD14	12924 = 16#327C	2063/19	5FBF/77	9F/01/99
15	AD15	12925 = 16#327D	2063/1A	5FBF/78	9F/01/9A

Table of values for set no. 1:

No.	Code	Logic address:	CANopen index:	INTERBUS index:	DeviceNet path:
1	S101	12931 = 16#3283	2063/20	5FBF/79	9F/01/9B
2	S102	12932 = 16#3284	2063/21	5FBF/7A	9F/01/9C
3	S103	12933 = 16#3285	2063/22	5FBF/7B	9F/01/9D
4	S104	12934 = 16#3286	2063/23	5FBF/7C	9F/01/9E
5	S105	12935 = 16#3287	2063/24	5FBF/7D	9F/01/9F
6	S106	12936 = 16#3288	2063/25	5FBF/7E	9F/01/A0
7	S107	12937 = 16#3289	2063/26	5FBF/7F	9F/01/A1
8	S108	12938 = 16#328A	2063/27	5FBF/80	9F/01/A2
9	S109	12939 = 16#328B	2063/28	5FBF/81	9F/01/A3
10	S110	12940 = 16#328C	2063/29	5FBF/82	9F/01/A4
11	S111	12941 = 16#328D	2063/2A	5FBF/83	9F/01/A5
12	S112	12942 = 16#328E	2063/2B	5FBF/84	9F/01/A6
13	S113	12943 = 16#328F	2063/2C	5FBF/85	9F/01/A7
14	S114	12944 = 16#3290	2063/2D	5FBF/86	9F/01/A8
15	S115	12945 = 16#3291	2063/2E	5FBF/87	9F/01/A9

Parameter set switching

Table of values for parameter set no. 2:

No.	Code	Logic address:	CANopen index:	INTERBUS index:	DeviceNet path:
1	S201	12951 = 16#3297	2063/34	5FBF/88	9F/01/AA
2	S202	12952 = 16#3298	2063/35	5FBF/89	9F/01/AB
3	S203	12953 = 16#3299	2063/36	5FBF/8A	9F/01/AC
4	S204	12954 = 16#329A	2063/37	5FBF/8B	9F/01/AD
5	S205	12955 = 16#329B	2063/38	5FBF/8C	9F/01/AE
6	S206	12956 = 16#329C	2063/39	5FBF/8D	9F/01/AF
7	S207	12957 = 16#329D	2063/3A	5FBF/8E	9F/01/B0
8	S208	12958 = 16#329E	2063/3B	5FBF/8F	9F/01/B1
9	S209	12959 = 16#329F	2063/3C	5FBF/90	9F/01/B2
10	S210	12960 = 16#32A0	2063/3D	5FBF/91	9F/01/B3
11	S211	12961 = 16#32A1	2063/3E	5FBF/92	9F/01/B4
12	S212	12962 = 16#32A2	2063/3F	5FBF/93	9F/01/B5
13	S213	12963 = 16#32A3	2063/40	5FBF/94	9F/01/B6
14	S214	12964 = 16#32A4	2063/41	5FBF/95	9F/01/B7
15	S215	12965 = 16#32A5	2063/42	5FBF/96	9F/01/B8

Table of values for set no. 3:

No.	Code	Logic address:	CANopen index:	INTERBUS index:	DeviceNet path:
1	S301	12971 = 16#32AB	2063/48	5FBF/97	9F/01/B9
2	S302	12972 = 16#32AC	2063/49	5FBF/98	9F/01/BA
3	S303	12973 = 16#32AD	2063/4A	5FBF/99	9F/01/BB
4	S304	12974 = 16#32AE	2063/4B	5FBF/9A	9F/01/BC
5	S305	12975 = 16#32AF	2063/4C	5FBF/9B	9F/01/BD
6	S306	12976 = 16#32B0	2063/4D	5FBF/9C	9F/01/BE
7	S307	12977 = 16#32B1	2063/4E	5FBF/9D	9F/01/BF
8	S308	12978 = 16#32B2	2063/4F	5FBF/9E	9F/01/C0
9	S309	12979 = 16#32B3	2063/50	5FBF/9F	9F/01/C1
10	S310	12980 = 16#32B4	2063/51	5FBF/A0	9F/01/C2
11	S311	12981 = 16#32B5	2063/52	5FBF/A1	9F/01/C3
12	S312	12982 = 16#32B6	2063/53	5FBF/A2	9F/01/C4
13	S313	12983 = 16#32B7	2063/54	5FBF/A3	9F/01/C5
14	S314	12984 = 16#32B8	2063/55	5FBF/A4	9F/01/C6
15	S315	12985 = 16#32B9	2063/56	5FBF/A5	9F/01/C7

Parameter set switching

Code	Description	
VAL	Parameter name: Load parameter set command	
	Logic address: 12901 = 16#3265	Type: WORD (listing)
	CANopen index: 2063/02	Read/write: R/W
	INTERBUS index:	
	DeviceNet path: A1/01/66	
	<p> 0 = Function not used or a new set of parameters has been taken into account 1 = Request to write a new set of parameters 2 = A new set of parameters is being written </p> <p> Procedure: <ul style="list-style-type: none"> • Write the addresses and values of the sets. • Set VAL to 1. • Once the new sets have been taken into account, the drive resets (VAL) to 0. </p>	

Loading drive parameters

Requirement

Certain applications require parameters to be downloaded:

- When the installation starts up
- When the manufacturing range is changed
- When a faulty device is replaced

Neither the integrated ports nor the network cards of the drive provide a parameter file loading procedure (except for the "FDR" faulty device replacement mechanism of the VW3 A3 310 Modbus Ethernet TCP/IP card).

Parameter loading is therefore based on write requests that have to be programmed in the controller (PLC, etc.).

If the controller is limited to writing parameters sequentially, the final configuration risks not being identical to the one desired. The differences between the configuration to be loaded and the real configuration result from consistency checking of the drive parameters. The drive checks relationships between the parameters, and if they are not correct:

- It automatically modifies a parameter which is offered for writing (pedestal, deadband) or
- Writing of the parameter is rejected

Examples illustrating this problem are given on page [73](#).

The controller must therefore follow a procedure that includes a phase of disabling the consistency check function.

Procedure

All the operations described below must be carried out with the motor stopped, with no run command to the drive.

Saving the reference configuration

1. Identify the parameters of the reference drive which are different from the factory setting. These parameters can be identified easily using the PowerSuite software (parameter list display).
2. Reserve a parameter image table in the controller (PLC, etc.). This image table is a series of addresses and values. The last parameter to be loaded is identified by an address equal to -1.
3. Enter the addresses of the modified parameters into the controller's image table by copying the list given by the PowerSuite software.
4. Initialize the values in the image table. There are two possible methods:
 - Enter the values manually.
 - Program an automatic read function in the controller. Connect the controller to the reference drive. Save the reference configuration in the image table.

Load the configuration

The program in the controller (PLC, etc.) must perform the following operations:

1. Command a drive factory setting:
Write the value 16#0001 to the extended control word (8504-CMI).
2. Disable the parameter consistency check function:
Write the value 16#8000 to the extended control word (8504-CMI).
3. Load the configuration:
Write the parameters one after another using the image table.
4. Enable the parameter consistency check function:
Write the value 16#0000 to the extended control word (8504-CMI).
5. Check the drive configuration:
Read and compare the parameters one after another against the image table.

Loading drive parameters

Inconsistency examples

The 2 adjustment parameters [Low speed] (3105-LSP) and [High speed] (3104-HSP) comply with the consistency rule: $0 \leq [\text{Low speed}] (3105\text{-LSP}) \leq [\text{High speed}] (3104\text{-HSP}) \leq 10000$.

Example 1

Initial configuration → Configuration to be loaded:

[High speed] (3104-HSP) = 30 Hz → [High speed] (3104-HSP) = 60 Hz

[Low speed] (3105-LSP) = 20 Hz → [Low speed] (3105-LSP) = 40 Hz

- "Request n: Request writing of [Low speed] (3105-LSP) to 40 Hz
- "Consistency check: The consistency rule [Low speed] (3105-LSP) ≤ [High speed] (3104-HSP) is not complied with:
 - The [Low speed] (3105-LSP) parameter actually written into the drive is 30 Hz.
- "Request n+1: Request writing of [High speed] (3104-HSP) = 60 Hz
- "Consistency check: The consistency rules are complied with:
 - The [High speed] (3104-HSP) parameter is correctly written to 60 Hz in the drive.

The configuration loaded is different from the configuration to be loaded:

[Low speed] (3105-LSP) = 30 Hz instead of [Low speed] (3105-LSP) = 40 Hz

The drive can operate between 30 Hz and 40 Hz, which is not desired.

Example 2

Initial configuration → Configuration to be loaded:

[High speed] (3104-HSP) = 60 Hz → [High speed] (3104-HSP) = 30 Hz

[Low speed] (3105-LSP) = 40 Hz → [Low speed] (3105-LSP) = 0 Hz

- "Request n: Request writing of [High speed] (3104-HSP) to 30 Hz
- "Consistency check: The consistency rule [Low speed] (3105-LSP) ≤ [High speed] (3104-HSP) is not complied with:
 - The [High speed] (3104-HSP) parameter actually written into the drive is 40 Hz.
- "Request n+1: Request writing of [Low speed] (3105-LSP) = 0 Hz
- "Consistency check: The consistency rules are complied with:
 - The [Low speed] (3105-LSP) parameter is correctly written to 0 Hz in the drive.

The configuration loaded is different from the configuration to be loaded:

[High speed] (3104-HSP) = 40 Hz instead of [High speed] (3104-HSP) = 30 Hz

The drive can operate between 30 Hz and 40 Hz, which is not desired.

Command parameters

Code	Description			
CMd	Parameter name: Control word Terminal display: [Cmd value] CiA402 name: controlword DRIVECOM name: Control word			
	Logic address: 8601 = 16#2199 or 8501 = 16#2135 (1) CANopen index: 6040/0 INTERBUS index: 5FB6/1B DeviceNet path: B7/01/01	Type: WORD (bit register) Read/write: R/W		
<p>(1) Note: This parameter is available at 2 logic addresses to optimize exchanges via Modbus messaging (Modbus function 16 = 16#10 Write Multiple Registers):</p> <ul style="list-style-type: none"> - If the drive has to be controlled in terms of speed, it is preferable to use address 8601 since the speed reference is at address 8602. - If the drive has to be controlled in terms of frequency, it is preferable to use address 8501 since the frequency reference is at address 8502. 				
<p>Parameter conforming to the CiA402 profile</p>				
<p>Possible values in the IO profile</p> <table border="0" style="width: 100%;"> <tr> <td style="width: 50%; vertical-align: top;"> <p>On state command [2 wire] (2C) bit 0: Forward (on state) command = 0: No forward command = 1: Forward command</p> <p>The assignment of bit 0 cannot be modified. It corresponds to the assignment of the terminals. It can be switched. Bit 0 (Cd00) is only active if the channel of this control word is active.</p> <p>Bits 1 to 15 can be assigned to commands.</p> <p>For example, to change the direction of operation using bit 2 of the control word of the active channel, simply configure the [Reverse assign.] (rrS) parameter:</p> <ul style="list-style-type: none"> • To the value [C102] (C102) ... [C402] (C402) for a fixed assignment • To the value [CD02] (Cd02) for a switched assignment <p>The stop commands:</p> <ul style="list-style-type: none"> • Freewheel stop [Freewheel stop ass.] (nSt) • Fast stop [Fast stop assign.] (FSt) are active at value 0, in the same way as on the terminals. <p>= 0: Stop = 1: No stop command</p> <p>DC injection braking [DC injection assign.] (dCl) is active at value 1, in the same way as on the terminals.</p> <p>= 0: No braking command = 1: Braking</p> <p>If a fixed assignment is made [C101] (C101) to [C115] (C115) ... [C401] (C401) to [C415] (C415), the freewheel stop, fast stop and DC injection braking commands are always active, even if the channel is not active. If these commands are configured as fixed assignments, the following settings must be made in order to start, even if another channel is active:</p> <ul style="list-style-type: none"> • Freewheel stop = 1 • Fast stop = 1 • DC injection braking = 0 <p>If a switched assignment is made [CD00] (Cd00) to [Cd15] (Cd15), the freewheel stop, fast stop and DC injection braking commands are only active if the channel is active.</p> </td> <td style="width: 50%; vertical-align: top;"> <p>On edge command [3 wire] (3C) bit 0: Stop (run authorization) = 0: Stop = 1: Run is authorized, on a forward or reverse command bit 1: Forward (on 0 → 1 rising edge) command</p> <p>The assignment of bits 0 and 1 cannot be modified. It corresponds to the assignment of the terminals. It can be switched. Bits 0 (Cd00) and 1 (Cd01) are only active if the channel of this control word is active.</p> <p>Bits 2 to 15 can be assigned to commands.</p> </td> </tr> </table>			<p>On state command [2 wire] (2C) bit 0: Forward (on state) command = 0: No forward command = 1: Forward command</p> <p>The assignment of bit 0 cannot be modified. It corresponds to the assignment of the terminals. It can be switched. Bit 0 (Cd00) is only active if the channel of this control word is active.</p> <p>Bits 1 to 15 can be assigned to commands.</p> <p>For example, to change the direction of operation using bit 2 of the control word of the active channel, simply configure the [Reverse assign.] (rrS) parameter:</p> <ul style="list-style-type: none"> • To the value [C102] (C102) ... [C402] (C402) for a fixed assignment • To the value [CD02] (Cd02) for a switched assignment <p>The stop commands:</p> <ul style="list-style-type: none"> • Freewheel stop [Freewheel stop ass.] (nSt) • Fast stop [Fast stop assign.] (FSt) are active at value 0, in the same way as on the terminals. <p>= 0: Stop = 1: No stop command</p> <p>DC injection braking [DC injection assign.] (dCl) is active at value 1, in the same way as on the terminals.</p> <p>= 0: No braking command = 1: Braking</p> <p>If a fixed assignment is made [C101] (C101) to [C115] (C115) ... [C401] (C401) to [C415] (C415), the freewheel stop, fast stop and DC injection braking commands are always active, even if the channel is not active. If these commands are configured as fixed assignments, the following settings must be made in order to start, even if another channel is active:</p> <ul style="list-style-type: none"> • Freewheel stop = 1 • Fast stop = 1 • DC injection braking = 0 <p>If a switched assignment is made [CD00] (Cd00) to [Cd15] (Cd15), the freewheel stop, fast stop and DC injection braking commands are only active if the channel is active.</p>	<p>On edge command [3 wire] (3C) bit 0: Stop (run authorization) = 0: Stop = 1: Run is authorized, on a forward or reverse command bit 1: Forward (on 0 → 1 rising edge) command</p> <p>The assignment of bits 0 and 1 cannot be modified. It corresponds to the assignment of the terminals. It can be switched. Bits 0 (Cd00) and 1 (Cd01) are only active if the channel of this control word is active.</p> <p>Bits 2 to 15 can be assigned to commands.</p>
<p>On state command [2 wire] (2C) bit 0: Forward (on state) command = 0: No forward command = 1: Forward command</p> <p>The assignment of bit 0 cannot be modified. It corresponds to the assignment of the terminals. It can be switched. Bit 0 (Cd00) is only active if the channel of this control word is active.</p> <p>Bits 1 to 15 can be assigned to commands.</p> <p>For example, to change the direction of operation using bit 2 of the control word of the active channel, simply configure the [Reverse assign.] (rrS) parameter:</p> <ul style="list-style-type: none"> • To the value [C102] (C102) ... [C402] (C402) for a fixed assignment • To the value [CD02] (Cd02) for a switched assignment <p>The stop commands:</p> <ul style="list-style-type: none"> • Freewheel stop [Freewheel stop ass.] (nSt) • Fast stop [Fast stop assign.] (FSt) are active at value 0, in the same way as on the terminals. <p>= 0: Stop = 1: No stop command</p> <p>DC injection braking [DC injection assign.] (dCl) is active at value 1, in the same way as on the terminals.</p> <p>= 0: No braking command = 1: Braking</p> <p>If a fixed assignment is made [C101] (C101) to [C115] (C115) ... [C401] (C401) to [C415] (C415), the freewheel stop, fast stop and DC injection braking commands are always active, even if the channel is not active. If these commands are configured as fixed assignments, the following settings must be made in order to start, even if another channel is active:</p> <ul style="list-style-type: none"> • Freewheel stop = 1 • Fast stop = 1 • DC injection braking = 0 <p>If a switched assignment is made [CD00] (Cd00) to [Cd15] (Cd15), the freewheel stop, fast stop and DC injection braking commands are only active if the channel is active.</p>	<p>On edge command [3 wire] (3C) bit 0: Stop (run authorization) = 0: Stop = 1: Run is authorized, on a forward or reverse command bit 1: Forward (on 0 → 1 rising edge) command</p> <p>The assignment of bits 0 and 1 cannot be modified. It corresponds to the assignment of the terminals. It can be switched. Bits 0 (Cd00) and 1 (Cd01) are only active if the channel of this control word is active.</p> <p>Bits 2 to 15 can be assigned to commands.</p>			

Command parameters

Code	Description
	<p>Possible values in CiA402 profile, separate or not separate mode</p> <ul style="list-style-type: none"> bit 0: "Switch on"/Contactor command bit 1: "Disable voltage"/Authorization to supply AC power bit 2: "Quick stop"/Emergency stop bit 3: "Enable operation"/Run command bit 4: Reserved (set to 0) bit 5: Reserved (set to 0) bit 6: Reserved (set to 0) bit 7: "Fault reset"/Fault acknowledgment active on 0 → 1 rising edge bit 8: "Halt"/Halt. Stop according to the [Type of stop] (Stt) parameter without leaving the 5 - Operation enabled state. bit 9: Reserved (set to 0) bit 10: Reserved (set to 0) bit 11: Direction of rotation command. Default assignment; this bit can be assigned to another command. <ul style="list-style-type: none"> = 0: Forward rotation = 1: Reverse rotation bit 12: Can be assigned to a command bit 13: Can be assigned to a command bit 14: Can be assigned to a command bit 15: Can be assigned to a command <p>For the description of bits 0, 1, 2, 3, 7 and 8, see the "CiA402 profile" section.</p> <p>The CiA402 standard enables the drive manufacturer to use bits 11 to 15 in a specific way. On the Altivar 61, they can be assigned to function commands. Bit 11 is assigned by default to control the direction of rotation, although it can be assigned to another command. A new assignment deletes the assignment to the direction of rotation command. Bits 12 to 15 have no default assignment. For example, to control DC injection braking using bit 12 of the Modbus control word, simply set the [DC injection assign.] (dCI) parameter to value [C212] (C212).</p> <p>The fast stop command configured by [Fast stop assign.] (FSt) is active at 1: <ul style="list-style-type: none"> = 0: No stop command = 1: Stop </p> <p>The DC injection braking command configured by [DC injection assign.] (dCI) is active at 1: <ul style="list-style-type: none"> = 0: No braking command = 1: Braking </p> <p>With a fixed assignment ([C1●●], [C2●●], [C3●●] or [C4●●]), the fast stop and DC injection braking commands are priority stops, even if the channel is not active. If these commands are configured as fixed assignments, the following settings must be made in order to start, even if another channel is active: <ul style="list-style-type: none"> • Fast stop command = 0 • DC injection braking command = 0 </p> <p>With a switched assignment ([Cd●●]), the fast stop and DC injection braking commands are only operational if the channel is active.</p> <p>The freewheel stop [Freewheel stop ass.] (nSt) command cannot be assigned in CiA402 profile.</p>

Command parameters

Code	Description				
CMI	Parameter name: Extended control word				
	Logic address: 8504 = 16#2138 <table border="1" style="float: right; margin-left: 20px;"> <tr> <td>Type:</td> <td>WORD (bit register)</td> </tr> <tr> <td>Read/write:</td> <td>R/W</td> </tr> </table>	Type:	WORD (bit register)	Read/write:	R/W
	Type:	WORD (bit register)			
	Read/write:	R/W			
	CANopen index: 2037/5				
INTERBUS index: 5FB6/1E					
DeviceNet path: 8B/01/69					
<p>bit 0: Command for a RAM factory setting according to the [PARAMETER GROUP LIST] (FrY) parameter (active at 1). If it is also wished to make an EEPROM factory setting, bit 1 must also be set to 1 (the two commands can be executed simultaneously).</p> <p>bit 1: Save configuration to EEPROM non-volatile memory command (active at 1). This bit automatically changes to 0 after the request is taken into account. The command is only active if the drive is stopped, and not in "5-Operation enabled" state. Note: If CMI is a periodic network variable, the PLC program must write it to 0 after the first request is taken into account. The life of the EEPROM memory is limited to 100,000 write operations. Note: If the motor or configuration switching function is active, the configuration in the RAM is saved to the EEPROM in the configuration designated by [Config. active] (CnFS).</p> <p>bit 2: Restore configuration to EEPROM non-volatile memory command (active on 0 to 1 rising edge). This bit automatically changes to 0 after the request is taken into account. The command is only active if the drive is stopped, and not in "5-Operation enabled" state. Note: If CMI is a periodic network variable, the PLC program must write it to 0 after the first request is taken into account. This does not adversely affect the life of the EEPROM memory, but permanently copies the configuration in the memory to the current configuration. Note: If the motor or configuration switching function is active, the configuration in the EEPROM designated by [Config. active] (CnFS) is copied to the RAM.</p> <p>bit 3: Reserved (= 0)</p> <p>bit 4: Reserved (= 0)</p> <p>bit 5: Reserved (= 0)</p> <p>bit 6: Reserved (= 0)</p> <p>bit 7: Reserved (= 0)</p> <p>bit 8: Reserved (= 0)</p> <p>bit 9: Definition of the frequency reference (LFr) and output frequency (rFr) unit: = 0: 0.1 Hz = 1: Standardized value 16 signed bits based on the maximum frequency. The value 32767 corresponds to [Max frequency] (tFr). The default value of [Max frequency] (tFr) is 60 Hz, and the resolution is then approximately 0.0018 Hz. This function has no effect on the speed reference (LFrD) or the output speed (rFrD).</p> <p>bit 10: Fast stop command (active at 1)</p> <p>bit 11: DC injection braking command (active at 1). This command must not be used if [Motor control type] (Ctt) = [Sync. mot.] (SYn).</p> <p>bit 12: Direction of rotation command = 0: Forward = 1: Reverse</p> <p>bit 13: Reserved (= 0)</p> <p>bit 14: Reserved (= 0)</p> <p>bit 15: Parameter consistency check = 0: The check is activated. Each time a parameter is written, the drive checks the relationship between the written parameter and the configuration in the drive. For example, the [High speed] (HSP) parameter must be less than the [Max frequency] (tFr) parameter. If an attempt is made to write a value greater than the [Max frequency] (tFr) parameter to the [High speed] (HSP) parameter, the write operation is accepted, but the value is limited to that of [Max frequency] (tFr). = 1: The check is deactivated. The drive is locked in stop mode. In this drive state, the configuration can be written parameter by parameter and the drive does not modify the values that are written.</p> <p>1→0: The change from 1 to 0 triggers a calculation of the consistency of the configuration. Some parameters can be modified automatically by the drive.</p>					

Setpoint parameters

See section "Assignment of references from a network", page [55](#)

Code	Description		
LFRD	Parameter name:	Speed reference	
	CiA402 name:	vl target velocity	
	DRIVECOM name:	Speed-Setpoint	
	Logic address:	8602 = 16#219A	Type: INT
	CANopen index:	6042/0	Read/write: R/W
	INTERBUS index:	6042/0	Unit: rpm
	DeviceNet path:	2A/01/08 (1) 8C/01/03 (2)	
Parameter conforming to CiA402 and ODVA profiles Signed value. This parameter changes the direction of operation according to its sign.			
LFR	Parameter name:	Frequency reference	
	Terminal display:	[Frequency ref.]	
	Logic address:	8502 = 16#2136	Type: INT
	CANopen index:	2037/3	Read/write: R/W
	INTERBUS index:	5FB6/1C	Unit: 0.1 Hz or standardized 16 signed bits based on the maximum frequency (TFR)
	DeviceNet path:	8B/01/67	
Signed value. The unit depends on the value of bit 9 of the extended control word (CMI): = 0: 0.1 Hz = 1: High resolution: Standardized value at maximum frequency on 16 signed bits. The value 32767 = 16 # 7FFF corresponds to [Max frequency] (tFr) . The default value of [Max frequency] (tFr) is 60 Hz, and the resolution is then approximately 0.0018 Hz.			

(1) ODVA standard path. It can be used for explicit messaging. Do not use it for configuring an assembly.

(2) Altivar path. To ensure better interchangeability, avoid using it for explicit messaging. This is the path that must be used for configuring an assembly.

Setpoint parameters

Code	Description		
PISP	Parameter name: PID regulator reference		
	Logic address:	8503 = 16#2137	Type: INT
	CANopen index:	2037/4	Read/write: R/W
	INTERBUS index:	5FB6/1D	Unit: 1
	DeviceNet path:	8B/01/68	
Signed value. If the PID regulator is to be controlled via a network, this reference must be written, in accordance with the protocol: <ul style="list-style-type: none"> • Either via messaging • Or by assigning this parameter in the periodic variables 			
AIU1	Parameter name: Network analog input		
	Terminal display: [Network AI]		
	Logic address:	5281 = 16 #14A1	Type: INT
	CANopen index:	2016/52	Read/write: R/W
	INTERBUS index:	5FB9/43	Unit: 1
DeviceNet path:	7B/01/52		
MFr	Parameter name: Multiplying coefficient		
	Terminal display: [Multiplying coeff.]		
	Logic address:	11831 = 16#2E37	Type: UINT
	CANopen index:	2058/20	Read/write: R/W
	INTERBUS index:	5FB6/38	Unit: 1%
DeviceNet path:	9C/01/20		

Status parameters

Code	Description	
ETA	Parameter name: Status word CiA402 name: Statusword DRIVECOM name: Statusword	
	Logic address: 8603 = 16#219B or 3201 = 16#0C81 (1) CANopen index: 6041/0 INTERBUS index: 6041/0 DeviceNet path: 71/01/02	Type: WORD (bit register) Read/write: R
<p>(1) Note: This parameter is available at 2 logic addresses to optimize exchanges via Modbus messaging (Modbus function 4 = 16#04 Read Input Registers):</p> <ul style="list-style-type: none"> - If the drive has to be monitored in terms of speed, it is preferable to use address 8603 since the output speed is at address 8604. - If the drive has to be monitored in terms of frequency, it is preferable to use address 3201 since the output frequency is at address 3202. 		
<p>Parameter conforming to CiA402 profile</p>		
<p>Possible values in the IO profile</p> <p>Note: The value is identical in the CiA402 profile and the I/O profile. In the I/O profile, the description of the values is simplified and does not refer to the CiA402 (Drivecom) state chart.</p> <ul style="list-style-type: none"> bit 0: Reserved bit 1: Ready = 0: Not ready, = 1: Ready bit 2: Running = 0: The drive will not start if a reference other than zero is applied. = 1: Running, if a reference other than zero is applied, the drive can start. bit 3: Fault = 0: No fault, = 1: Fault bit 4: Power section line supply present = 0: Power section line supply absent, = 1: Power section line supply present bit 5: Reserved bit 6: Reserved bit 7: Alarm = 0: No alarm, = 1: Alarm bit 8: Reserved bit 9: Command via a network = 0: Command via the terminals or the graphic display terminal, = 1: Command via a network <p>Note: The network can be integrated Modbus, CANopen, a communication card or the Controller Inside card. This is not necessarily the network via which the status word is read. Therefore if the command comes from CANopen (CANopen command channel active) and the status word (ETA) is read via an Ethernet card, the data item "Command via a network" = 1. This does not mean that control can be carried out via the Ethernet card. For more information, see the "Active command channel" (CCC) and "Active reference channel" (CRC) parameters.</p> <ul style="list-style-type: none"> bit 10: Reference reached = 0: The reference is not reached, = 1: The reference has been reached bit 11: Reference outside limits = 0: The reference is within the limits, = 1: The reference is not within the limits When the drive is in speed mode, the limits are defined by the "Low speed (LSP)" and "High speed (HSP)" parameters. When the torque function is activated, refer to the description of this function (see the Programming Manual). bits 12 and 13: Reserved bit 14: Stop via STOP key = 0: STOP key not pressed, = 1: Stop triggered by the STOP key on the graphic display terminal bit 15: Direction of rotation = 0: Forward rotation at output, = 1: Reverse rotation at output 		

Status parameters

Code	Description
	<p>Possible values in CiA402 profile</p> <p>bit 0: "Ready to switch on", awaiting power section line supply bit 1: "Switched on", ready bit 2: "Operation enabled", running bit 3: "Fault" = 0: No fault = 1: Fault</p> <p>bit 4: "Voltage enabled", power section line supply present = 0: Power section line supply absent = 1: Power section line supply present When the drive is powered by the power section only, this bit is always at 1.</p> <p>bit 5: "Quick stop"/Emergency stop bit 6: "Switched on disabled", power section line supply locked bit 7: "Warning", alarm = 0: No alarm = 1: Alarm</p> <p>bit 8: Reserved bit 9: "Remote", command or reference via the network = 0: Command or reference via the terminals = 1: Command or reference via the network</p> <p>bit 10: "Target reached", reference reached = 0: The reference is not reached = 1: The reference has been reached When the drive is in speed mode, this is the speed reference. When the torque function is activated, refer to the description of this function (see the Programming Manual). When the drive stops, the reference has been reached.</p> <p>bit 11: "Internal limit active", reference outside limits = 0: The reference is within the limits = 1: The reference is not within the limits When the drive is in speed mode, the limits are defined by the "Low speed (LSP)" and "High speed (HSP)" parameters. When the torque function is activated, refer to the description of this function (see the Programming Manual).</p> <p>bit 12: Reserved bit 13: Reserved bit 14: "Stop key", STOP via stop key = 0: STOP key not pressed = 1: Stop triggered by the STOP key on the graphic display terminal</p> <p>bit 15: "Direction", direction of rotation = 0: Forward rotation at output = 1: Reverse rotation at output</p> <p>The combination of bits 0, 1, 2, 4, 5 and 6 defines the state in the DSP 402 state chart (see the CiA402 profile section).</p>

Status parameters

Code	Description	
ETI	Parameter name:	Extended status word
	Logic address:	3206 = 16#0C86
	CANopen index:	2002/7
	INTERBUS index:	5FB9/08
	DeviceNet path:	71/01/07
		Type: WORD (bit register)
		Read/write: R
<p>bit 0: = 1: Access to the EEPROM non-volatile memory in progress bit 1: = 0: No parameter consistency check = 1: Parameter consistency check bit 2: = 0: The drive is not in fault state or a fault is present = 1: The drive is in fault state but the fault is no longer present (not acknowledged) bit 3: Reserved</p> <p>bit 4: = 1: Drive in speed regulation mode bit 5: = 1: DC injection braking (identical to LSR4, bit 11) bit 6: = 0: Drive in steady state = 1: Drive in transient state bit 7: = 1: Motor thermal state threshold reached for the active motor</p> <p>bit 8: = 1: Overbraking (identical to LSR5, bit 1) bit 9: = 1: Acceleration in progress (identical to LSR4, bit 13) bit 10: = 1: Deceleration in progress (identical to LSR4, bit 14) bit 11: = 1: Current or torque limiting in progress</p> <p>bit 12: = 1: Fast stop in progress (identical to LSR4, bit 15) bit 13: bit 13 = 0 and bit 14 = 0: Command via the terminals bit 14: bit 13 = 1 and bit 14 = 0: Command via the graphic display terminal bit 13 = 0 and bit 14 = 1: Command via Modbus bit 13 = 1 and bit 14 = 1: Command via CANopen, the network card or the "Controller Inside" card bit 15: = 0: Forward operation applied before the ramp = 1: Reverse operation applied before the ramp</p>		
LRS1	Parameter name:	Extended status word 1
	Logic address:	3250 = 16#0CB2
	CANopen index:	2002/33
	INTERBUS index:	5FB9/1E
	DeviceNet path:	71/01/33
		Type: WORD (bit register)
		Read/write: R
<p>bit 0: Reserved bit 1: = 1: The drive is in fault state bit 2: = 0: The drive is locked, the motor is not powered = 1: The drive is unlocked, power can be supplied to the motor (RUN state) bit 3: = 1: The output contactor is controlled</p> <p>bit 4: = 1: Frequency threshold (ftd) reached: [Freq. Th. attained] (FtA) bit 5: = 1: High speed (HSP) reached: [HSP attained] (FLA) bit 6: = 1: Current threshold (Ctd) reached: [Current Th. attained] (CtA) bit 7: = 1: Frequency reference reached: [Frequency ref. att.] (SrA)</p> <p>bit 8: = 1: Motor 1 thermal state threshold [Motor therm. level] (ttd) reached: [Motor th. state att.] (tSA) bit 9: Reserved bit 10: = 1: PID regulator error alarm: [PID error al] (PEE) bit 11: = 1: PID regulator feedback alarm: [PID fdbk al.] (PFA)</p> <p>bit 12: = 1: 4-20 mA alarm on analog input AI2: [AI2 4-20 mA loss] (LFF2) bit 13: = 1: Second frequency threshold (ftd) reached: [Freq. Th. 2 attained] (FA2) bit 14: = 1: Drive thermal state threshold [Drv therm. state al] (tHA) reached: [Th. drv. att.] (tAd) bit 15: Reserved</p>		

Status parameters

Code	Description	
LRS2	Parameter name:	Extended status word 2
	Logic address:	3251 = 16#0CB3
	CANopen index:	2002/34
	INTERBUS index:	5FB9/1F
	DeviceNet path:	71/01/34
	Type:	WORD (bit register)
	Read/write:	R
	<p>bit 0: = 1: [High Ref.] (rtAH): Frequency reference is greater than the threshold [High Freq. Ref. Thr.] (rtd) bit 1: = 1: [Low Ref.] (rtAL): Frequency reference is less than the threshold [Low Freq. Ref. Thr.] (rtdL) bit 2: = 1: [Low F.Thd.] (FtAL): Frequency is less than the threshold [Low Freq.Threshold] (FtdL) bit 3: = 1: [2Low F.Thld] (F2AL): Frequency is less than the threshold [2 Freq. Threshold] (F2dL)</p> <p>bit 4: = 1: [Low I Thres. Attain.] (CtAL): Current is less than the threshold [Low I Threshold] (CtdL) bit 5: = 1: [Pro.Undload] (ULA): Process underload alarm bit 6: = 1: [Ovld.P.Alrm] (OLA): Process overload alarm bit 7: = 1: [PID high Al.] (PFAH): PID feedback alarm greater than [Max fbk alarm] (PAH)</p> <p>bit 8: = 1: [PID low Al.] (PFAL): PID feedback alarm less than [Min fbk alarm] (PAL) bit 9: = 1: [Regul.Alarm] (PISH): PID regulator fault (cannot reach reference) bit 10: = 1: [Emerg. Run] (Ern): The drive is in emergency run mode bits 11 to 15: Reserved</p>	
LRS3	Parameter name:	Extended status word 3
	Logic address:	3252 = 16#0CB4
	CANopen index:	2002/35
	INTERBUS index:	5FB9/20
	DeviceNet path:	71/01/35
	Type:	WORD (bit register)
	Read/write:	R
	<p>bit 0: = 0: Reference channel 1 (Fr1) or 1B (Fr1b) is active = 1: Reference channel 2 (Fr2) is active bit 1: = 0: Command channel 1 (Cd1) is active = 1: Command channel 2 (Cd2) is active bit 2: = 0: Ramp set 1 (ACC) and (dEC) = 1: Ramp set 2 (AC2) and (dE2) bit 3: = 0: Current limit 1 (CLI) is active = 1: Current limit 2 (CL2) is active</p> <p>bit 4: Reserved bit 5: = 1: Motor 2 thermal state threshold [Motor2 therm. level] (tt2) reached: [Th.mot2 att] (tS2) bit 6: = 1: Motor 3 thermal state threshold [Motor3 therm. level] (tt3) reached: [Th.mot3 att] (tS3) bit 7: Reserved</p> <p>bit 8: = 1: 24 VDC external power supply present bit 9: = 1: Stop on low speed time limit function [Low speed time out] (tLS) bit 10: = 1: The command and reference are given by the graphic display terminal bit 11: Reserved</p> <p>bit 12: Reserved bit 13: Reserved bit 14: Reserved bit 15: = 0: The output torque is positive (forward) = 1: The output torque is negative (reverse)</p>	

Status parameters

Code	Description	
LRS4	Parameter name: Extended status word 4	
	Logic address: 3253 = 16#0CB5 CANopen index: 2002/36 INTERBUS index: 5FB9/21 DeviceNet path: 71/01/36	Type: WORD (bit register) Read/write: R
	<p> bit 0: = 1: Configuration 0 is active bit 1: = 1: Configuration 1 is active [Cnfg.1 act.] (CnF1) bit 2: = 1: Configuration 2 is active [Cnfg.2 act.] (CnF2) bit 3: Reserved </p> <p> bit 4: = 1: Parameter set 1 is active: [Set 1 active] (CFP1) bit 5: = 1: Parameter set 2 is active: [Set 2 active] (CFP2) bit 6: = 1: Parameter set 3 is active: [Set 3 active] (CFP3) bit 7: Reserved </p> <p> bit 8: = 0: Power section line supply present = 1: Power section line supply absent bit 9: = 1: Motor "fluxing" in progress: [In motor fluxing] (FLX) bit 10: = 1: The motor is "fluxed" bit 11: = 1: DC injection braking (identical to ETI, bit 5) </p> <p> bit 12: = 1: Current limiting in progress bit 13: = 1: Acceleration in progress (identical to ETI, bit 9) bit 14: = 1: Deceleration in progress (identical to ETI, bit 10) bit 15: = 1: Fast stop in progress: [Fast stop in prog.] (FSt) (identical to ETI, bit 12) </p>	
LRS5	Parameter name: Extended status word 5	
	Logic address: 3254 = 16#0CB6 CANopen index: 2002/37 INTERBUS index: 5FB9/22 DeviceNet path: 71/01/37	Type: WORD (bit register) Read/write: R
	<p> bit 0: = 1: Drive DC bus loading: [DC bus loading] (dbL) bit 1: = 1: Drive braking [In braking] (brS) bit 2: = 1: The "Power Removal" function is active bit 3: = 1: Automatic restart attempts in progress: [Auto restart] (AUtO) </p> <p> bit 4: = 1: "Auto-tuning" in progress: [Auto-tuning] (tUn) bit 5: = 1: Controlled stop in progress following loss of power section line supply (CTL) bit 6: = 1: The drive cannot follow the configured deceleration ramp, deceleration automatically adapted (OBR) bit 7: = 1: Controlled output cut in progress (SOC) </p> <p> bit 8: Reserved bit 9: = 1: The line contactor is active bit 10: Reserved bit 11: Reserved </p> <p> bit 12: Reserved bit 13: = 1: Current present in the motor (MCP) bit 14: Reserved bit 15: Reserved </p>	

Status parameters

Code	Description	
LRS6	Parameter name: Extended status word 6	
	Logic address: 3255 = 16#0CB7 CANopen index: 2002/38 INTERBUS index: 5FB9/23 DeviceNet path: 71/01/38	Type: WORD (bit register) Read/write: R
	<p>bit 0: = 1: Alarm group 1 is active bit 1: = 1: Alarm group 2 is active bit 2: = 1: Alarm group 3 is active bit 3: = 1: Probe 1 alarm: [PTC1 alarm] (PtC1)</p> <p>bit 4: = 1: Probe 2 alarm: [PTC2 alarm] (PtC2) bit 5: = 1: LI6 PTC probe alarm: [LI6=PTC alarm] (PtC3) bit 6: Reserved bit 7: = 1: External fault [External fault alarm] (EtF)</p> <p>bit 8: = 1: Undervoltage alarm [Undervoltage] (USA) bit 9: = 1: The power section line supply loss detection threshold for a controlled stop has been reached (undervoltage warning) bit 10: Reserved bit 11: = 1: Drive overheat alarm (tHA)</p> <p>bit 12: Reserved bit 13: Reserved bit 14: Reserved bit 15: = 1: Current or torque limit alarm after time-out [Trq/l limit. time out] (StO)</p>	
LRS7	Parameter name: Extended status word 7	
	Logic address: 3256 = 16#0CB8 CANopen index: 2002/39 INTERBUS index: 5FB9/24 DeviceNet path: 71/01/39	Type: WORD (bit register) Read/write: R
	<p>bit 0: = 1: Reference channel 1 (Fr1) or 1B (Fr1b) is active bit 1: = 1: Reference channel 2 (Fr2) is active bit 2: = 1: Command channel 1 (Cd1) is active bit 3: = 1: Command channel 2 (Cd2) is active</p> <p>bit 4: = 1: Reference channel 1B (Fr1b) is active bit 5: Reserved bit 6: Reserved bit 7: Reserved</p> <p>bit 8: = 1: IGBT thermal state alarm bit 9: = 1: Braking resistor overload alarm bit 10: = 1: Alarm sent by the "Controller Inside" card bit 11: = 1: 4-20 mA alarm on analog input AI3: [AI3 4-20mA loss] (LFF3)</p> <p>bit 12: = 1: 4-20 mA alarm on analog input AI4: [AI4 4-20mA loss] (LFF4) bit 13: = 1: DC bus precharging contactor controlled (DC0) bit 14: = 1: Flow limitation function active bit 15: Reserved (= 0)</p>	

Status parameters

Code	Description	
LRS8	Parameter name: Extended status word 8	
	Logic address: 3257 = 16#0CB9 CANopen index: 2002/3A INTERBUS index: 5FB9/25 DeviceNet path: 71/01/3A	Type: WORD (bit register) Read/write: R
<p> bit 0: Reserved (= 0) bit 1: Reserved (= 0) bit 2: Reserved (= 0) bit 3: Reserved (= 0) </p> <p> bit 4: Reserved (= 0) bit 5: Reserved (= 0) bit 6: Reserved (= 0) bit 7: Reserved (= 0) </p> <p> bit 8: Reserved (= 0) bit 9: Reserved (= 0) bit 10: Reserved (= 0) bit 11: Reserved (= 0) </p> <p> bit 12: Reserved (= 0) bit 13: Reserved (= 0) bit 14: Reserved (= 0) bit 15: = 1: Drive ready (rdY) </p>		
CRC	Parameter name: Active reference channel	
	Logic address: 8441 = 16#20F9 CANopen index: 2036/2A INTERBUS index: 5FB9/D2 DeviceNet path: 8B/01/2A	Type: WORD (bit register) Read/write: R
<p> bit 0: = 1: The terminals are the active reference channel via an analog input bit 1: Reserved (= 0) bit 2: = 1: The graphic display terminal is the active reference channel bit 3: = 1: Modbus is the active reference channel </p> <p> bit 4: Reserved (= 0) bit 5: Reserved (= 0) bit 6: = 1: CANopen is the active reference channel bit 7: = 1: The terminals are the active reference channel in +/- speed </p> <p> bit 8: = 1: The graphic display terminal is the active reference channel in +/- speed bit 9: = 1: The network card is the active reference channel bit 10: = 1: The "Controller Inside" card is the active reference channel bit 11: Reserved (= 0) </p> <p> bit 12: Reserved (= 0) bit 13: Reserved (= 0) bit 14: Reserved (= 0) bit 15: = 1: The PowerSuite software workshop is the active reference channel </p>		

Status parameters

Code	Description	
CCC	Parameter name: Active command channel	
	Logic address: 8442 = 16#20FA	Type: WORD (bit register)
	CANopen index: 2036/2B	Read/write: R
	INTERBUS index: 5FB9/D3 DeviceNet path: 8B/01/2B	
<p> bit 0: = 1: The terminals are the active command channel bit 1: Reserved (= 0) bit 2: = 1: The graphic display terminal is the active command channel bit 3: = 1: Modbus is the active command channel bit 4: Reserved (= 0) bit 5: Reserved (= 0) bit 6: = 1: CANopen is the active command channel bit 7: = 1: The terminals are the active command channel in +/- speed bit 8: = 1: The graphic display terminal is the active command channel in +/- speed bit 10: = 1: The "Controller Inside" card is the active command channel bit 11: Reserved (= 0) bit 12: Reserved (= 0) bit 13: Reserved (= 0) bit 14: Reserved (= 0) bit 15: = 1: The PowerSuite software workshop is the active command channel </p>		
CFPS	Parameter name: Active parameter set	
	Logic address: 12900 = 16#3264	Type: WORD (listing)
	CANopen index: 2063/01	Read/write: R
	INTERBUS index: 5FB9/EB DeviceNet path: A1/01/65	
<p> 0 : The parameter set switching function is not configured 1 = [Set 1 active] (CFP1): Parameter set no. 1 active 2 = [Set 2 active] (CFP2): Parameter set no. 2 active 3 = [Set 3 active] (CFP3): Parameter set no. 3 active </p>		
CNFS	Parameter name: Active configuration	
	Terminal display: [Config. Active]	
	Logic address: 8020 = 16#1F54	Type: WORD (listing)
	CANopen index: 2032/15	Read/write: R
INTERBUS index: 5FB9/D1 DeviceNet path: 89/01/15		
<p> 0 : The motor or configuration switching function is not configured 1 = (CNF0): Configuration no. 0 active 2 = (CNF1): Configuration no. 1 active 3 = (CNF2): Configuration no. 2 active </p>		

Output value parameters

Output values (speed)

Code	Description	
rFrd	Parameter name:	Output speed
	CiA402 name:	vl control effort
	DRIVECOM name:	Speed-Actual-Value
	Logic address:	8604 = 16#219C
	CANopen index:	6044/0
	INTERBUS index:	6044/0
	DeviceNet path:	2A/01/07 (1) 8C/01/05 (2)
	Type:	INT
	Read/write:	R
	Unit:	rpm
<p>Parameter conforming to CiA402 and ODVA profiles Signed value.</p> <p>If the drive is in open-loop mode, the speed value is estimated. If the drive is in closed-loop mode, the speed value is measured on the sensor.</p> <p>This parameter is linked to the "Output frequency" (rFr) parameter for which the unit is 0.1 Hz.</p>		
rFr	Parameter name:	Output frequency
	Terminal display:	[Output frequency]
	Logic address:	3202 = 16#C82
	CANopen index:	2002/3
	INTERBUS index:	5FB9/04
	DeviceNet path:	71/01/03
	Type:	INT
	Read/write:	R
	Unit:	0.1 Hz or standardized 16 signed bits based on the maximum frequency (TFR)
<p>Signed value.</p> <p>The unit depends on the value of bit 9 of the extended control word: = 0: 0.1 Hz = 1: Standardized value on 16 signed bits at maximum frequency. The value 32767 corresponds to [Max frequency] (TFR). The default value of [Max frequency] (TFR) is 60 Hz, and the resolution is then approximately 0.0018 Hz.</p>		

(1) ODVA standard path. It can be used for explicit messaging. Do not use it for configuring an assembly.

(2) Altivar path. To ensure better interchangeability, avoid using it for explicit messaging. This is the path that must be used for configuring an assembly.

Output value parameters

Output values (torque)

Code	Description			
Otr	Parameter name:	Output torque		
	Terminal display:	[Motor torque]		
	CiA402 name:	Torque actual value		
	DRIVECOM name:	Torque-Actual-Value		
	Logic address:	3205 = 16#0C85	Type:	INT
	CANopen index:	6077/0	Read/write:	R
	INTERBUS index:	5FB9/07	Unit:	0.001 "Nominal motor torque"
	DeviceNet path:	71/01/06		
	Parameter conforming to CiA402 profile Signed value. The "Nominal motor torque" is not accessible as a drive parameter. It is the result of other characteristics.			

Output value parameters

Output values (motor)

Code	Description	
LCr	Parameter name:	Motor current
	Terminal display:	[Motor current]
	Logic address:	3204 = 16#0C84
	CANopen index:	2002/5
	INTERBUS index:	5FB9/06
	DeviceNet path:	2A/01/09 (1) 71/01/05 (2)
Type: UINT		
Read/write: R		
Unit: 0.1 A		
Parameter conforming to ODVA profile		
UOP	Parameter name:	Motor voltage
	Terminal display:	[Motor voltage]
	Logic address:	3208 = 16#0C88
	CANopen index:	2002/9
	INTERBUS index:	5FB9/0A
	DeviceNet path:	71/01/09
Type: UINT		
Read/write: R		
Unit: 1 V		
OPr	Parameter name:	Motor power
	Terminal display:	[Motor power]
	Logic address:	3211 = 16#0C8B
	CANopen index:	2002/C
	INTERBUS index:	5FB9/0C
	DeviceNet path:	71/01/0C
Type: INT		
Read/write: R		
Unit: 1%		
UNT	Parameter name:	Units of parameters APH, PTH, RTH and RTHI
	Logic address:	3234 = 16#0CA2
	CANopen index:	2002/23
	INTERBUS index:	5FB9/18
	DeviceNet path:	71/01/23
	Type: WORD (bit register)	
Read/write: R		
<p>The unit changes automatically when the value reaches the maximum format of the parameter.</p> <p>bit 0 + bit 1 = unit of APH: 0 = Wh, 1 = kWh, 2 = MWh bit 2 + bit 3 = unit of PTH: 0 = seconds, 1 = minutes, 2 = hours bit 4 + bit 5 = unit of RTH: 0 = seconds, 1 = minutes, 2 = hours bit 6 + bit 7 = unit of RTHI: 0 = seconds, 1 = minutes, 2 = hours</p> <p>bit 8 + bit 9 = unit of IPHR: 0 = Wh, 1 = kWh, 2 = MWh bit 10 + bit 11 = unit of IPH: 0 = Wh, 1 = kWh, 2 = MWh</p> <p>bits 12 to 15: Reserved (= 0)</p>		

(1) ODVA standard path. It can be used for explicit messaging. Do not use it for configuring an assembly.

(2) Altivar path. To ensure better interchangeability, avoid using it for explicit messaging. This is the path that must be used for configuring an assembly.

Reference parameters

References (speed)

Code	Description	
FrHd	Parameter name: Speed reference before ramp	
	Logic address: 8605 = 16#219D	Type: INT
	CANopen index: 2038/6	Read/write: R
	INTERBUS index: 6043/0	Unit: rpm
	DeviceNet path: 8C/01/06	
FrOd	Parameter name: Speed reference after ramp	
	Terminal display:	
	CiA402 name: vl velocity demand	
	DRIVECOM name: Speed-Reference-Variable	
	Logic address: 8641 = 16#21C1	Type: INT
	CANopen index: 6043/0	Read/write: R
	INTERBUS index: 5FB9/DB	Unit: rpm
	DeviceNet path: 8C/01/2A	
	Parameter conforming to CiA402 profile	
	Signed value.	
This parameter is linked to the "Frequency after ramp" (FRO) parameter for which the unit is 0.1 Hz.		
FrH	Parameter name: Frequency reference before ramp	
	Terminal display: [Frequency ref.]	
	Logic address: 3203 = 16#0C83	Type: INT
	CANopen index: 2002/4	Read/write: R
	INTERBUS index: 5FB9/05	Unit: 0.1 Hz
DeviceNet path: 71/01/04		
FrO	Parameter name: Frequency reference after ramp	
	Logic address: 9021 = 16#233D	Type: INT
	CANopen index: 203C/16	Read/write: R
	INTERBUS index: 5FB9/DC	Unit: 0.1 Hz
	DeviceNet path: 8E/01/16	

Reference parameters

References (regulator)

See section "Assignment of references from a network", page 55.

Code	Description	
rPC	Parameter name:	PID reference after ramp
	Terminal display:	[PID reference]
	Logic address:	11982 = 16#2ECE
	CANopen index:	2059/53
	INTERBUS index:	5FB9/E8
	DeviceNet path:	9C/01/B7
	Type:	UINT
	Read/write:	R
	Unit:	1
rPF	Parameter name:	PID regulator feedback reference
	Terminal display:	[PID feedback]
	Logic address:	11981 = 16#2ECD
	CANopen index:	2059/52
	INTERBUS index:	5FB9/E7
	DeviceNet path:	9C/01/B6
	Type:	UINT
	Read/write:	R
	Unit:	1
rPE	Parameter name:	PID regulator discrepancy
	Terminal display:	[PID error]
	Logic address:	11980 = 16#2ECC
	CANopen index:	2059/51
	INTERBUS index:	5FB9/E6
	DeviceNet path:	9C/01/B5
	Type:	INT
	Read/write:	R
	Unit:	1
rPO	Parameter name:	PID regulator limit output reference
	Terminal display:	[PID Output]
	Logic address:	11983 = 16#2ECF
	CANopen index:	2059/54
	INTERBUS index:	5FB9/E9
	DeviceNet path:	9C/01/B8
	Type:	INT
	Read/write:	R
	Unit:	0.1 Hz

Measurement parameters

Input measurements

Code	Description	
ULn	Parameter name:	Power supply voltage
	Terminal display:	[Mains voltage]
	Logic address:	3207 = 16#0C87
	CANopen index:	2002/8
	INTERBUS index:	5FB9/09
	DeviceNet path:	71/01/08
	Type:	UINT
	Read/write:	R
	Unit:	0.1 V
IPr	Parameter name:	Power consumed by the drive
	Terminal display:	[Input Power]
	Logic address:	3218 = 16#0C92
	CANopen index:	2002/13
	INTERBUS index:	5FB9/11
	DeviceNet path:	113/01/19
	Type:	UINT
	Read/write:	R
	Unit:	0.01 kW (drives ≤ 75 kW) 1 kW (drives > 75 kW)
IPHr	Parameter name:	Energy consumed by the drive
	Terminal display:	[Consumption]
	Logic address:	3237 = 16#0CA5
	CANopen index:	2002/26
	INTERBUS index:	5FB9/1B
	DeviceNet path:	71/01/26
	Type:	UINT
	Read/write:	R
	Unit:	According to UNT parameter, page 89

Measurement parameters

Thermal states

Code	Description			
tHd	Parameter name:	Drive thermal state		
	Terminal display:	[Drv. thermal state]		
	Logic address:	3209 = 16#0C89	Type:	UINT
	CANopen index:	2002/A	Read/write:	R
	INTERBUS index:	5FB9/0B	Unit:	1%
DeviceNet path:	71/01/0A			
tHr	Parameter name:	Motor thermal state		
	Terminal display:	[Motor thermal state]		
	Logic address:	9630 = 16#259E	Type:	UINT
	CANopen index:	2042/1F	Read/write:	R
	INTERBUS index:	5FB9/DF	Unit:	1%
DeviceNet path:	91/01/1F			
tHb	Parameter name:	DBR thermal state		
	Terminal display:	[DBR thermal state]		
	Logic address:	14114 = 16#3722	Type:	UINT
	CANopen index:	206F/F	Read/write:	R
	INTERBUS index:	5FBD/63	Unit:	1%
DeviceNet path:	A7/01/73			

Measurement parameters

Time

Code	Description	
rtH	Parameter name:	Total motor operating time
	Terminal display:	[Run time]
	Logic address:	3231 = 16#0C9F
	CANopen index:	2002/20
	INTERBUS index:	5FB9/15
DeviceNet path:	71/01/20	Type: UINT Read/write: R Unit: According to UNT parameter, page 89
rtHI	Parameter name:	Internal motor operating time
	Logic address:	3232 = 16#0CA0
	CANopen index:	2002/21
	INTERBUS index:	5FB9/16
	DeviceNet path:	71/01/21
PtH	Parameter name:	Total drive operating time
	Terminal display:	[Power on time]
	Logic address:	3233 = 16#0CA1
	CANopen index:	2002/22
	INTERBUS index:	5FB9/17
DeviceNet path:	71/01/22	Type: UINT Read/write: R Unit: According to UNT parameter, page 89
tAC	Parameter name:	IGBT alarm time
	Terminal display:	[IGBT alarm counter]
	Logic address:	3235 = 16#0CA3
	CANopen index:	2002/24
	INTERBUS index:	5FB9/19
DeviceNet path:	71/01/24	Type: UINT Read/write: R Unit: 1 s
dAY	Parameter name:	Date
	Logic address:	7391 = 16#1CDF
	CANopen index:	202B/5C
	INTERBUS index:	5FB9/CE
	DeviceNet path:	85/01/C0
tIME	Parameter name:	Time
	Logic address:	7392 = 16#1CE0
	CANopen index:	202B/5D
	INTERBUS index:	5FB9/CF
	DeviceNet path:	85/01/C1

Measurement parameters

Code	Description	
PEt	Parameter name:	Total process operating time
	Terminal display:	[Proc. Operat. Time]
	Logic address:	3236 = 16#0CA4
	CANopen index:	2002/25
	INTERBUS index:	5FB9/1A
	DeviceNet path:	71/01/25
	Type:	UINT
	Read/write:	R/W
	Unit:	According to UNT parameter, page 89
Same parameter as [Run time] (rtH) , but can be accessed in write mode by users.		

Format of "Date" and "Time" parameters

Date and time are binary-coded using the corresponding word bits indicated in the table below.

Note: The value 0 for year corresponds to the year **2000** (2006 = 36, for example).

Bits		15	14	13	12	11	10	9	8	7	6	5	4	3	2	1	0
Date	Year	X	X	X	X	X	X	X									
	Month								X	X	X	X					
	Day												X	X	X	X	X
Time	Hours	X	X	X	X	X	X	X	X								
	Minutes									X	X	X	X	X	X	X	X

I/O parameters

Logic I/O

Code	Description		
IL1r	Parameter name: Logic input map		
	Logic address: 5202 = 16#1452 CANopen index: 2016/3 INTERBUS index: 5FB9/2B DeviceNet path: 7B/01/03	Type: WORD (bit register) Read/write: R Unit: -	
<p> bit 0: Value of LI1 bit 1: Value of LI2 bit 2: Value of LI3 bit 3: Value of LI4 bit 4: Value of LI5 bit 5: Value of LI6 bit 6: Value of LI7 bit 7: Value of LI8 </p> <p> bit 8: Value of LI9 bit 9: Value of LI10 bit 10: Value of LI11 bit 11: Value of LI12 </p> <p> bit 12: Value of LI13 bit 13: Value of LI14 bit 14: Reserved (= 0) bit 15: Reserved (= 0) </p> <p> If a logic I/O extension card is installed (bits 4-7) If an extended I/O extension card is installed (bits 8-11) </p>			
OL1r	Parameter name: Logic output map		
	Logic address: 5212 = 16#145C CANopen index: 2016/D INTERBUS index: 5FB6/4E (reading via PCP) 5FB9/2D (writing via PCP) DeviceNet path: 7B/01/0D	Type: WORD (bit register) Read/write: R/W Unit: -	
<p> bit 0: Value of R1 bit 1: Value of R2 bit 2: Value of R3, if a logic I/O extension card is installed bit 3: Value of R4, if an extended I/O extension card is installed bit 4: Reserved (= 0) bit 5: Reserved (= 0) bit 6: Reserved (= 0) bit 7: Reserved (= 0) </p> <p> bit 8: Value of LO1 bit 9: Value of LO2 bit 10: Value of LO3 bit 11: Value of LO4 </p> <p> bit 12: Reserved (= 0) bit 13: Reserved (= 0) bit 14: Reserved (= 0) bit 15: Reserved (= 0) </p> <p> If a logic I/O extension card is installed (bits 8-9) If an extended I/O extension card is installed (bits 10-11) </p> <p> The relay or logic outputs can be controlled via the network. Simply write this parameter. The outputs to be controlled must not be assigned to a drive function, otherwise the write operation has no effect. </p>			

I/O parameters

Analog inputs

Code	Description	
AI1C	Parameter name: Physical image of analog input 1	
	Logic address: 5242 = 16#147A	Type: INT
	CANopen index: 2016/2B	Read/write: R
	INTERBUS index: 5FB9/36	Unit: 0.001 V
	DeviceNet path: 7B/01/2B	
AI1r	Parameter name: Standardized image of analog input 1	
	Logic address: 5232 = 16#1470	Type: INT
	CANopen index: 2016/21	Read/write: R
	INTERBUS index: 5FB9/32	Unit: 1
	DeviceNet path: 7B/01/21	
AI2C	Parameter name: Physical image of analog input 2	
	Logic address: 5243 = 16#147B	Type: INT
	CANopen index: 2016/2C	Read/write: R
	INTERBUS index: 5FB9/37	Unit: 0.001 V or 0.001 mA
	DeviceNet path: 7B/01/2C	
The unit is:		
<ul style="list-style-type: none"> • 0.001 V if parameter [AI2 Type] (AI2t) is configured as [Voltage] (10U) • 0.001 mA if parameter [AI2 Type] (AI2t) is configured as [Current] (0A) 		
AI2r	Parameter name: Standardized image of analog input 2	
	Logic address: 5233 = 16#1471	Type: INT
	CANopen index: 2016/22	Read/write: R
	INTERBUS index: 5FB9/33	Unit: 1
	DeviceNet path: 7B/01/22	
AI3C	Parameter name: Physical image of analog input 3	
	Logic address: 5244 = 16#147C	Type: INT
	CANopen index: 2016/2D	Read/write: R
	INTERBUS index: 5FB9/38	Unit: 0.001 mA
	DeviceNet path: 7B/01/2D	
AI3r	Parameter name: Standardized image of analog input 3	
	Logic address: 5234 = 16#1472	Type: INT
	CANopen index: 2016/23	Read/write: R
	INTERBUS index: 5FB9/34	Unit: 1
	DeviceNet path: 7B/01/23	

I/O parameters

Code	Description			
AI4C	Parameter name: Physical image of analog input 4			
	Logic address:	5245 = 16#147D	Type:	INT
	CANopen index:	2016/2E	Read/write:	R
	INTERBUS index:	5FB9/39	Unit:	0.001 V or 0.001 mA
	DeviceNet path:	7B/01/2E		
	The unit is:			
	<ul style="list-style-type: none"> 0.001 V if parameter [AI4 Type] (AI4t) is configured as [Voltage] (10U) 0.001 mA if parameter [AI4 Type] (AI4t) is configured as [Current] (0A) 			
AI4r	Parameter name: Standardized image of analog input 4			
	Logic address:	5235 = 16#1473	Type:	INT
	CANopen index:	2016/24	Read/write:	R
	INTERBUS index:	5FB9/35	Unit:	1
	DeviceNet path:	7B/01/24		

Analog outputs

The analog outputs can be controlled via the network. Simply write these parameters. The outputs to be controlled must not be assigned to a drive function, otherwise the write operation has no effect.

Code	Description			
AO1C	Parameter name: Physical image of analog output 1			
	Logic address:	5271 = 16#1497	Type:	INT
	CANopen index:	2016/48	Read/write:	R/W
	INTERBUS index:	5FB9/40 (reading via PCP) 5FB6/50 (writing via PCP)	Unit:	0.001 mA or 0.001 V
	DeviceNet path:	7B/01/48		
	The unit is:			
	<ul style="list-style-type: none"> 0.001 V if parameter [AO1 Type] (AO1t) is configured as [Voltage] (10U) 0.001 mA if parameter [AO1 Type] (AO1t) is configured as [Current] (0A) 			
AO1r	Parameter name: Standardized image of analog output 1			
	Logic address:	5261 = 16#148D	Type:	INT
	CANopen index:	2016/3E	Read/write:	R/W
	INTERBUS index:	5FB9/3D (reading via PCP) 5FB6/4F (writing via PCP)	Unit:	1
	DeviceNet path:	7B/01/3E		
AO2C	Parameter name: Physical image of analog output 2			
	Logic address:	5272 = 16#1498	Type:	INT
	CANopen index:	2016/49	Read/write:	R/W
	INTERBUS index:	5FB9/41 (reading via PCP) 5FB6/52 (writing via PCP)	Unit:	0.001 mA or 0.001 V
	DeviceNet path:	7B/01/49		
	The unit is:			
	<ul style="list-style-type: none"> 0.001 V if parameter [AO2 Type] (AO2t) is configured as [Voltage] (10U) or [Voltage +/-] (n10U) 0.001 mA if parameter [AO2 Type] (AO2t) is configured as [Current] (0A) 			

I/O parameters

Code	Description			
AO2r	Parameter name:	Standardized image of analog output 2		
	Logic address:	5262 = 16#148E	Type:	INT
	CANopen index:	2016/3F	Read/write:	R/W
	INTERBUS index:	5FB9/3E (reading via PCP) 5FB6/51 (writing via PCP)	Unit:	1
	DeviceNet path:	7B/01/3F		
AO3C	Parameter name:	Physical image of analog output 3		
	Logic address:	5273 = 16#1499	Type:	INT
	CANopen index:	2016/4A	Read/write:	R/W
	INTERBUS index:	5FB9/42 (reading via PCP) 5FB6/54 (writing via PCP)	Unit:	0.001 mA or 0.001 V
	DeviceNet path:	7B/01/4A		
	The unit is:			
	<ul style="list-style-type: none"> • 0.001 V if parameter [AO3 Type] (AO3t) is configured as [Voltage] (10U) or [Voltage +/-] (n10U) • 0.001 mA if parameter [AO3 Type] (AO3t) is configured as [Current] (0A) 			
AO3r	Parameter name:	Standardized image of analog output 3		
	Logic address:	5263 = 16#148F	Type:	INT
	CANopen index:	2016/40	Read/write:	R/W
	INTERBUS index:	5FB9/3F (reading via PCP) 5FB6/53 (writing via PCP)	Unit:	1
	DeviceNet path:	7B/01/40		

Encoder

Code	Description			
PUC	Parameter name:	Pulse counter		
	Logic address:	5611 = 16#15EB	Type:	UINT
	CANopen index:	201A/C	Read/write:	R
	INTERBUS index:	5FB9/44	Unit:	1
	DeviceNet path:	7D/01/0C		

Fault parameters

Code	Description	
Errd	Parameter name: CiA402 fault code	
	CiA402 name: Error code	
	DRIVECOM name: Malfunction code	
	Logic address: 8606 = 16#219E	Type: WORD (listing)
	CANopen index: 603F/0	Read/write: R
	INTERBUS index: 603F/0	Unit: -
DeviceNet path: 29/01/0D (1) 8C/01/07 (2)		
<p>(1) ODVA standard path. It can be used for explicit messaging. Do not use it for configuring an assembly. (2) Altivar path. To ensure better interchangeability, avoid using it for explicit messaging. This is the path that must be used for configuring an assembly.</p>		
<p>Parameter conforming to CiA402 profile Last fault that occurred. This parameter retains its value after the fault has disappeared and been acknowledged.</p>		
<p>16#0000: No fault written to memory (nOF) 16#1000: Pre-charge relay control fault or charging resistor damaged (CrF1) or excessive motor current (OLF) or motor overspeed fault (SOF) or short-circuit output from braking unit (bUF) or braking resistor under excessive stress (bOF) or short-circuit or grounding at the drive output (HdF) or internal microprocessor fault (InFE) 16#2230: Power component fault (SCF4) 16#2310: Overcurrent fault (OCF) 16#2311: Process overload (OLC) 16#2320: Short-circuit or grounding at the drive output (SCF1, SCF2, SCF5) 16#2330: Ground short-circuit (SCF3) 16#3110: Line supply overvoltage fault (OSF) 16#3120: Line supply undervoltage fault (USF) 16#3130: Input phase loss fault (PHF) 16#3310: DC bus overvoltage fault (ObF) or 1 output phase loss fault (OPF1) or 3 output phase loss fault (OPF3) 16#4210: Drive overheat fault (OHF, tJF) 16#4310: Overheating of motor probes detected (OtF1, OtF2, OtFL) 16#5000: Initialization of the drive is incomplete (InF7) or fault on the electronic time measurement component (InFC) or output contactor fault (FCF1, FCF2) or line contactor fault (LCF) or DC bus charging fault (thyristors) (CrF2) 16#5100: The control section power supply is incorrect (InF8) 16#5210: Current measurements are incorrect (InF9) or input stage not operating correctly (InFA) or drive temperature sensor not operating correctly (InFb) 16#5530: EEPROM non-volatile memory fault (EEF, EEF2) 16#6100: Internal fault (InF, InF1, InF2, InF3, InF4, HCF) 16#6300: Incorrect configuration (parameters) (CFF) or invalid configuration (CFI) or inconsistency between control card and power card (PtrF) 16#7000: The option installed in the drive is not recognized (InF6) 16#7300: Loss of the 4-20 mA reference on analog input AI2 (LFF2, LFF3, LFF4) or non-conforming signal on analog input AI2(AI2F) or PTC probes open or short-circuited (PtF1, PtF2, PtFL) 16#7310: Encoder feedback fault (EnF) or encoder feedback signal missing (SPF) 16#7510: Modbus communication fault (SLF1) or fault communicating with the graphic display terminal (SLF3) 16#7520: Communication fault between option card and drive (ILF) or communication fault on communication card (CnF)</p>		

Fault parameters

Code	Description
Errd (continued)	16#7530: Fault communicating with PowerSuite (SLF2) 16#8100: CANopen communication fault (COF) 16#9000: External fault (EPF1) or fault triggered by a communication network (EPF2) or "Controller Inside" card fault (APF) 16#FF00: Auto-tuning fault (tnF) 16#FF02: No fluid(nFF) or switch to torque limitation (SSF) 16#FF03: Fault with the drive's "Power Removal" safety function (PrF) or process underload (ULF) 16#FF04: PID feedback below lower limit (SPIF)

Fault parameters

Code	Description
LFt	Parameter name: Altivar fault code
	Logic address: 7121 = 16#1BD1 Type: WORD (listing)
	CANopen index: 2029/16 Read/write: R
	INTERBUS index: 5FB9/58 Unit: -
	DeviceNet path: 84/01/7A
<p>The last fault that occurred remains stored in the "Altivar fault code" (LFt) parameter, even if it disappears and even after the drive has been turned off and then on again.</p>	
<p>0: (nOF) No fault 1: Reserved 2: [Control Eeprom] (EEF1) Internal memory fault, control card 3: [Incorrect config.] (CFF) Option card changed or removed Control card replaced by a control card configured on a drive with a different rating The current configuration is inconsistent 4: [Invalid config.] (CFI) Invalid configuration. The configuration loaded in the drive via the bus or communication network is inconsistent 5: [Modbus com.] (SLF1) Interruption in communication on the Modbus bus 6: [internal com. link] (ILF) Communication fault between option card and drive 7: [Com. network] (CnF) Communication fault on communication card 8: [External flt-LI/Bit] (EPF1) Fault triggered by an external device, depending on user 9: [Overcurrent] (OCF) Parameters in [SETTINGS] (SEt-) and [1.4 MOTOR CONTROL] (drC-) menus are not correct Inertia or load too high Mechanical locking 10: [Precharge] (CrF1) Pre-charge relay control fault or charging resistor damaged 11: [Speed fdback loss] (SPF) Encoder feedback signal missing 12: Reserved 13: [AI2 4-20mA loss] (LFF2) Loss of the 4-20 mA reference on analog input AI2 14: [PTC1 probe] (PtF1) PTC1 probes open or shorted 15: [PTC1 overheat] (OtF1) Overheating of the PTC1 probes detected 16: [Drive overheat] (OHF) Drive temperature too high 17: [Motor overload] (OLF) Triggered by excessive motor current 18: [Overbraking] (ObF) Braking too sudden or driving load 19: [Mains overvoltage] (OSF) Line voltage too high Disturbed line supply 20: [1 output phase loss] (OPF1) Loss of one phase at drive output 21: [Input phase loss] (PHF) Drive incorrectly supplied or a fuse blown Loss of one phase Three-phase ATV61 used on a single-phase line supply Unbalanced load This protection only operates with the drive on load 22: [Undervoltage] (USF) Line supply too low Transient voltage dip Damaged precharge resistor 23: [Motor short circuit] (SCF1) Short-circuit or grounding at the drive output Significant earth leakage current at the drive output if several motors are connected in parallel 24: [Overspeed] (SOF) Instability or driving load too high 25: [Auto-tuning] (tnF) Special motor or motor whose power is not suitable for the drive Motor not connected to the drive 26: [Rating error] (InF1) The power card is not the one stored 27: [Incompatible PB] (InF2) The power card is incompatible with the control card 28: [Internal serial link] (InF3) Communication fault between the internal cards 29: [Internal MFG area] (InF4) Internal data inconsistent 30: [Power EEprom] (EEF2) Internal memory fault, power card 31: [Impedant sh. circuit] (SCF2) Impedant short-circuit 32: [Ground short circuit] (SCF3) Ground short-circuit 33: [3 output phase loss] (OPF2) Motor not connected or motor power too low Output contactor open Instantaneous instability in the motor current 34: [CAN com.] (COF) Interruption in communication on the CANopen bus</p>	

Fault parameters

Code	Description
((LFT), continued)	35: Reserved
	36: Reserved
	37: [Internal - hard init.] (InF7) Initialization of the drive is incomplete
	38: [External fault com.] (EPF2) Fault triggered by a communication network
	39: [Application fault] (APF) "Controller Inside" card fault
	40: [Internal-ctrl supply] (InF8) The control supply is not correct
	41: Reserved
	42: [PowerSuite com.] (SLF2) Fault communicating with PowerSuite
	43: Reserved
	44: [Torque/current lim] (SSF) Switch to torque limitation
	45: [HMI com.] (SLF3) Fault communicating with the graphic display terminal
	46: [Power removal] (PrF) Fault with the drive's "Power removal" safety function
	47: [PTC2 probe] (PtF2) PTC2 probes open or short-circuited
	48: [PTC2 overheat] (OtF2) Overheating of the PTC2 probes detected
	49: [LI6=PTC probe] (PtFL) PTC probes on input LI6 open or short-circuited
	50: [LI6=PTC overheat] (OtFL) Overheating of PTC probes detected on input LI6
	51: [Internal- I measure] (InF9) The current measurements are not correct
	52: [Internal-mains circuit] (InFA) The input stage is not operating correctly
	53: [Internal-th. sensor] (InFb) The drive temperature sensor is not operating correctly
	54: [IGBT overheat] (tJF) Drive overheated
	55: [IGBT short circuit] (SCF4) Power component fault
	56: [Motor short circuit] (SCF5) Short-circuit at the drive output
	57: Reserved
	58: [Out. contact. stuck] (FCF1) The output contactor remains closed although the opening conditions have been met
	59: [Out. contact. open] (FCF2) The output contactor remains open although the closing conditions have been met
	60: [Internal-time meas.] (InFC) Fault on the electronic time measurement component
	61: [AI2 input] (AI2F) Non-conforming signal on analog input AI2
	62: [Encoder] (EnF) Encoder feedback fault
	63: [Thyr. soft charge] (CrF2) DC bus charging fault (thyristors)
	64: [input contactor] (LCF) The drive is not turned on even though [Mains V. time out] (LCt) has elapsed
	65: [DB unit sh. circuit] (bUF) Short-circuit output from braking unit
	66: Reserved
	67: [IGBT desaturation] (HdF) Short-circuit or grounding at the drive output
	68: [Internal-option] (InF6) The option installed in the drive is not recognized
	69: [Internal- CPU] (InFE) Internal microprocessor fault
	70: [DBR overload] (bOF) The braking resistor is under excessive stress
	71: [AI3 4-20mA loss] (LFF3) Loss of the 4-20 mA reference on analog input AI3
	72: [AI4 4-20mA loss] (LFF4) Loss of the 4-20 mA reference on analog input AI4
	73: [Cards pairing] (HCF) The [CARDS PAIRING] (PPI-) function has been configured and a drive card has been changed
	74: [No Flow Flt] (nFF) No fluid
	75: [Power Ident] (PtrF) Inconsistency between control card and power card
	76 to 99: Reserved
	100: [Proc. Underload Flt] (ULF) Process underload
	101: [Proc. Overload Flt] (OLC) Process overload
	102: [PI Feedback] (SPIF) PID feedback below lower limit

Fault parameters

Code	Description	
CIC	Parameter name:	Incorrect configuration
	Logic address:	7130 = 16#1BDA
	CANopen index:	2029/1F
	INTERBUS index:	5FB6/1A
	DeviceNet path:	84/01/83
<p>bit 0: = 1: Change of rating bit 1: Reserved (= 0 or 1) bit 2: = 1: The network card has been removed bit 3: = 1: Saving to the EEPROM non-volatile memory is inconsistent with power on</p> <p>bit 4: = 1: The network card has been changed bit 5: Reserved (= 0 or 1) bit 6: = 1: The (Controller Inside) card has been removed bit 7: = 1: The (Controller Inside) card has been changed</p> <p>bit 8: Reserved (= 0 or 1) bit 9: = 1: An I/O card has been removed bit 10: = 1: The I/O card has been changed bit 11: Reserved (= 0 or 1)</p> <p>bit 12: = 1: An encoder card has been removed bit 13: = 1: The encoder card has been changed bit 14: Reserved (= 0 or 1) bit 15: Reserved (= 0 or 1)</p> <p>If one of these events occurs, the drive switches to [Incorrect config.] (CFF) fault mode and then automatically applies a factory setting.</p>		<p>Type: WORD (bit register)</p> <p>Read/write: R</p> <p>Unit: -</p>
APF	Parameter name:	"Controller Inside" card fault code
	Logic address:	7133 = 16#1BDD
	CANopen index:	2029/22
	INTERBUS index:	5FB0/99
	DeviceNet path:	84/01/86
<p>The fault remains saved in the parameter, even if it disappears. The parameter is reset after the drive is disconnected and then reconnected.</p> <p>Consult the "Controller Inside" card manual.</p>		<p>Type: UINT</p> <p>Read/write: R</p> <p>Unit: 1</p>
CnF	Parameter name:	Network card fault code
	Logic address:	7132 = 16#1BDC
	CANopen index:	2029/21
	INTERBUS index:	5FB0/98
	DeviceNet path:	84/01/85
<p>The fault remains saved in the parameter, even if it disappears. The parameter is reset after the drive is disconnected and then reconnected.</p> <p>The possible values of this parameter depend on the network card protocol. Consult the manual for the corresponding card.</p>		<p>Type: UINT</p> <p>Read/write: R</p> <p>Unit: 1</p>

Fault parameters

Code	Description	
ILF1	Parameter name: Option card 1 fault code	
	Logic address: 7134 = 16#1BDE	Type: UINT
	CANopen index: 2029/23	Read/write: R
	INTERBUS index: 5FB0/9A	Unit: 1
	DeviceNet path: 84/01/87	Factory setting:
<p>The fault remains saved in the parameter, even if it disappears. The parameter is reset after the drive is disconnected and then reconnected.</p> <p>0 = No fault 1 = Loss of internal communication with the drive 2 = Hardware fault detected 3 = Error in the EEPROM non-volatile memory checksum 4 = Faulty EEPROM non-volatile memory 5 = Faulty Flash memory 6 = Faulty RAM memory 7 = Faulty NVRAM memory 8 = Faulty analog input 9 = Faulty analog output 10 = Faulty logic input 11 = Faulty logic output 101 = Unknown card 102 = Exchange problem on the drive internal bus 103 = Time-out on the drive internal bus (500 ms)</p>		
ILF2	Parameter name: Option card 2 fault code	
	Logic address: 7135 = 16#1BDF	Type: UINT
	CANopen index: 2029/24	Read/write: R
	INTERBUS index: 5FB0/9B	Unit: 1
	DeviceNet path: 84/01/88	
<p>The fault remains saved in the parameter, even if it disappears. The parameter is reset after the drive is disconnected and then reconnected.</p> <p>Same values as ILF1.</p>		
Fdrd	Parameter name: Ethernet fault code	
	Terminal display: [FDR fault]	
	Logic address: 64233 = 16#FAE9	Type: UINT
	CANopen index: -	Read/write: R
	INTERBUS index: -	Unit: -
<p>DeviceNet path: -</p> <p>When an Ethernet fault is present, this parameter is used to ascertain the cause of the fault. The fault code remains saved after the disappearance of the fault.</p> <p>2: The FDR configuration file is not compatible with the type of drive (e.g., incorrect drive rating) 3: Error reading the FDR configuration file on the server 4: Error writing the FDR configuration file to the server 5: Error writing the FDR configuration file to the drive (e.g., the drive is in forced local mode) 7: Time-out for receipt of the FDR configuration file from the server 9: Duplication of IP address 12: The FDR configuration file is missing</p>		

Fault parameters

Code	Description		
Fnb	Parameter name:	Fault counter	
	Logic address:	7393 = 16#1CE1	Type: UINT
	CANopen index:	202B/5E	Read/write: R
	INTERBUS index:	5FB9/D0	Unit: -
	DeviceNet path:	99/01/CC	

Log parameters

Description of last fault log

Code	Description	
dP0	Parameter name: Fault code on last fault	
	Logic address: 7200 = 16#1C20	Type: WORD (listing)
	CANopen index: 202A/1	Read/write: R
	INTERBUS index: 5FB9/59	Unit: -
	DeviceNet path: 85/01/01	
Value of the "Altivar fault code" (LfT) parameter, written to memory when the last fault occurred.		
See the possible values of the "Altivar fault code" (LfT) parameter.		
ULP0	Parameter name: Power supply voltage on last fault	
	Logic address: 7270 = 16#1C66	Type: UINT
	CANopen index: 202A/47	Read/write: R
	INTERBUS index: 5FB9/98	Unit: 0.1 V
	DeviceNet path: 85/01/47	
Value of the "Power supply voltage" (ULn) parameter, written to memory when the last fault occurred.		
LCPO	Parameter name: Motor current on last fault	
	Logic address: 7240 = 16#1C48	Type: INT
	CANopen index: 202A/29	Read/write: R
	INTERBUS index: 5FB9/7D	Unit: 0.1 A
	DeviceNet path: 85/01/29	
Value of the "Motor current" (LCr) parameter, written to memory when the last fault occurred.		
rFPO	Parameter name: Output frequency on last fault	
	Logic address: 7250 = 16#1C52	Type: INT
	CANopen index: 202A/33	Read/write: R
	INTERBUS index: 5FB9/86	Unit: 0.1 Hz
	DeviceNet path: 85/01/33	
Value of the "Output frequency" (rFr) parameter, written to memory when the last fault occurred.		
tHP0	Parameter name: Motor thermal state on last fault	
	Logic address: 7280 = 16#1C70	Type: UINT
	CANopen index: 202A/51	Read/write: R
	INTERBUS index: 5FB9/A1	Unit: 1
	DeviceNet path: 85/01/51	
EP0	Parameter name: Status word on last fault	
	Logic address: 7210 = 16#1C2A	Type: WORD (bit register)
	CANopen index: 202A/B	Read/write: R
	INTERBUS index: 5FB9/62	Unit: -
	DeviceNet path: 85/01/0B	
Value of the "Status word" (EtA) parameter, written to memory when the last fault occurred.		
See the possible values of the "Status word" (EtA) parameter.		

Log parameters

Code	Description	
IP0	Parameter name: Extended status word on last fault	
	Logic address: 7220 = 16#1C34	Type: WORD (bit register)
	CANopen index: 202A/15	Read/write: R
	INTERBUS index: 5FB9/6B	Unit: -
	DeviceNet path: 85/01/15	
Value of the "Extended status word 0" (Etl) parameter, written to memory when the last fault occurred.		
See the possible values of the "Extended status word 0" (Etl) parameter.		
CMPO	Parameter name: Command word on last fault	
	Logic address: 7230 = 16#1C3E	Type: WORD (bit register)
	CANopen index: 202A/1F	Read/write: R
	INTERBUS index: 5FB9/74	Unit: -
	DeviceNet path: 85/01/1F	
Value of the "Command word" (CMd) parameter, written to memory when the last fault occurred.		
See the possible values of the "Command word" (CMd) parameter.		
dCC0	Parameter name: Command channel active on last fault	
	Logic address: 64300 = 16#FB2C	Type: WORD (listing)
	CANopen index: -	Read/write: R
	INTERBUS index: 5FBA/21	Unit: -
	DeviceNet path: -	
0: Terminals 2: Graphic display terminal 3: Modbus 6: CANopen 9: Network card 10: "Controller Inside" card 15: PowerSuite		
drCO	Parameter name: Reference channel active on last fault	
	Logic address: 64310 = 16#FB36	Type: WORD (listing)
	CANopen index: -	Read/write: R
	INTERBUS index: 5FBA/2A	Unit: -
	DeviceNet path: -	
0: Analog input terminals 2: Graphic display terminal 3: Modbus 6: CANopen 7: +/- speed terminals 9: Network card 10: "Controller Inside" card 15: PowerSuite		

Log parameters

Code	Description	
CrPO	Parameter name: Channels active on last fault	
	Logic address: 7290 = 16#1C7A	Type: WORD
	CANopen index: 202A/5B	Read/write: R
	INTERBUS index: 5FB9/AA	Unit: -
	DeviceNet path: 85/01/5B	
Command channel: Low order byte:		
0: Terminals		
2: Graphic display terminal		
3: Modbus		
6: CANopen		
9: Network card		
10: "Controller Inside" card		
15: PowerSuite		
Reference channel: High order byte:		
0: Analog input terminals		
2: Graphic display terminal		
3: Modbus		
6: CANopen		
7: +/- speed terminals		
9: Network card		
10: "Controller Inside" card		
15: PowerSuite		
rtPO	Parameter name: Motor operating time on last fault	
	Logic address: 7260 = 16#1C5C	Type: UINT
	CANopen index: 202A/3D	Read/write: R
	INTERBUS index: 5FB9/8F	Unit: 1 hour
	DeviceNet path: 85/01/3D	
Md0	Parameter name: Date on last fault	
	Logic address: 7300 = 16#1C84	Type: UINT
	CANopen index: 202B/1	Read/write: R
	INTERBUS index: 5FB9/B3	Unit: See page 110
	DeviceNet path: 85/01/65	
This parameter is only significant if a "Controller Inside" card is installed in the drive.		
dM0	Parameter name: Time on last fault	
	Logic address: 7310 = 16#1C8E	Type: UINT
	CANopen index: 202B/B	Read/write: R
	INTERBUS index: 5FB9/BC	Unit: See page 110
	DeviceNet path: 85/01/6F	
This parameter is only significant if a "Controller Inside" card is installed in the drive.		

Log parameters

Format of "Date" and "Time" parameters

Date and time are binary-coded using the corresponding word bits indicated in the table below.

Note: The value 0 for year corresponds to the year **2000** (2006 = 36, for example).

Bits		15	14	13	12	11	10	9	8	7	6	5	4	3	2	1	0
Date	Year	X	X	X	X	X	X	X									
	Month								X	X	X	X					
	Day												X	X	X	X	X
Time	Hours	X	X	X	X	X	X	X	X								
	Minutes									X	X	X	X	X	X	X	X

Log parameters

Log of the following faults

The log shown for the first fault can be used to review the last 8 faults. All codes and addresses are summarized in the tables below.

Fault n-1

Log	Code	Logic address:	CANopen index:	INTERBUS index:	DeviceNet path:
Fault code	dP1	7201 = 16#1C21	202A/2	5FB9/5A	85/01/02
Power supply voltage	ULP1	7271 = 16#1C67	202A/48	5FB9/99	85/01/48
Motor current	LCP1	7241 = 16#1C49	202A/2A	5FB9/7E	85/01/2A
Output frequency	rFP1	7251 = 16#1C53	202A/34	5FB9/87	85/01/34
Motor thermal state	tHP1	7281 = 16#1C71	202A/52	5FB9/A2	85/01/52
Status word	EP1	7211 = 16#1C2B	202A/C	5FB9/63	85/01/0C
Extended status word	IP1	7221 = 16#1C35	202A/16	5FB9/6C	85/01/16
Command word	CMP1	7231 = 16#1C3F	202A/20	5FB9/75	85/01/20
Active command channel	dCC1	64301 = 16#FB2D		5FBA/22	
Active reference channel	drC1	64311 = 16#FB37		5FBA/2B	
Active channels	CrP1	7291 = 16#1C7B	202A/5C	5FB9/AB	85/01/5C
Motor operating time	rtP1	7261 = 16#1C5D	202A/3E	5FB9/90	85/01/3E
Date	Md1	7301 = 16#1C85	202B/2	5FB9/B4	85/01/66
Time	dM1	7311 = 16#1C8F	202B/C	5FB9/BD	85/01/70

Fault n-2

Log	Code	Logic address:	CANopen index:	INTERBUS index:	DeviceNet path:
Fault code	dP2	7202 = 16#1C22	202A/3	5FB9/5B	85/01/03
Power supply voltage	ULP2	7272 = 16#1C68	202A/49	5FB9/9A	85/01/49
Motor current	LCP2	7242 = 16#1C4A	202A/2B	5FB9/7F	85/01/2B
Output frequency	rFP2	7252 = 16#1C54	202A/35	5FB9/88	85/01/35
Motor thermal state	tHP2	7282 = 16#1C72	202A/53	5FB9/A3	85/01/53
Status word	EP2	7212 = 16#1C2C	202A/D	5FB9/64	85/01/0D
Extended status word	IP2	7222 = 16#1C36	202A/17	5FB9/6D	85/01/17
Command word	CMP2	7232 = 16#1C40	202A/21	5FB9/76	85/01/21
Active command channel	dCC2	64302 = 16#FB2E		5FBA/23	
Active reference channel	drC2	64312 = 16#FB38		5FBA/2C	
Active channels	CrP2	7292 = 16#1C7C	202A/5D	5FB9/AC	85/01/5D
Motor operating time	rtP2	7262 = 16#1C5E	202A/3F	5FB9/91	85/01/3F
Date	Md2	7302 = 16#1C86	202B/3	5FB9/B5	85/01/67
Time	dM2	7312 = 16#1C90	202B/D	5FB9/BE	85/01/71

Log parameters

Fault n-3

Log	Code	Logic address:	CANopen index:	INTERBUS index:	DeviceNet path:
Fault code	dP3	7203 = 16#1C23	202A/4	5FB9/5C	85/01/04
Power supply voltage	ULP3	7273 = 16#1C69	202A/4A	5FB9/9B	85/01/4A
Motor current	LCP3	7243 = 16#1C4B	202A/2C	5FB9/80	85/01/2C
Output frequency	rFP3	7253 = 16#1C55	202A/36	5FB9/89	85/01/36
Motor thermal state	tHP3	7283 = 16#1C73	202A/54	5FB9/A4	85/01/54
Status word	EP3	7213 = 16#1C2D	202A/E	5FB9/65	85/01/0E
Extended status word	IP3	7223 = 16#1C37	202A/18	5FB9/6E	85/01/18
Command word	CMP3	7233 = 16#1C41	202A/22	5FB9/77	85/01/22
Active command channel	dCC3	64303 = 16#FB2F		5FBA/24	
Active reference channel	drC3	64313 = 16#FB39		5FBA/2D	
Active channels	CrP3	7293 = 16#1C7D	202A/5E	5FB9/AD	85/01/5E
Motor operating time	rtP3	7263 = 16#1C5F	202A/40	5FB9/92	85/01/40
Date	Md3	7303 = 16#1C87	202B/4	5FB9/B6	85/01/68
Time	dM3	7313 = 16#1C91	202B/E	5FB9/BF	85/01/72

Fault n-4

Log	Code	Logic address:	CANopen index:	INTERBUS index:	DeviceNet path:
Fault code	dP4	7204 = 16#1C24	202A/5	5FB9/5D	85/01/05
Power supply voltage	ULP4	7274 = 16#1C6A	202A/4B	5FB9/9C	85/01/4B
Motor current	LCP4	7244 = 16#1C4C	202A/2D	5FB9/81	85/01/2D
Output frequency	rFP4	7254 = 16#1C56	202A/37	5FB9/8A	85/01/37
Motor thermal state	tHP4	7284 = 16#1C74	202A/55	5FB9/A5	85/01/55
Status word	EP4	7214 = 16#1C2E	202A/F	5FB9/66	85/01/0F
Extended status word	IP4	7224 = 16#1C38	202A/19	5FB9/6F	85/01/19
Command word	CMP4	7234 = 16#1C42	202A/23	5FB9/78	85/01/23
Active command channel	dCC4	64304 = 16#FB30		5FBA/25	
Active reference channel	drC4	64314 = 16#FB3A		5FBA/2E	
Active channels	CrP4	7294 = 16#1C7E	202A/5F	5FB9/AE	85/01/5F
Motor operating time	rtP4	7264 = 16#1C60	202A/41	5FB9/93	85/01/41
Date	Md4	7304 = 16#1C88	202B/5	5FB9/B7	85/01/69
Time	dM4	7314 = 16#1C92	202B/F	5FB9/C0	85/01/73

Log parameters

Fault n-5

Log	Code	Logic address:	CANopen index:	INTERBUS index:	DeviceNet path:
Fault code	dP5	7205 = 16#1C25	202A/6	5FB9/5E	85/01/06
Power supply voltage	ULP5	7275 = 16#1C6B	202A/4C	5FB9/9D	85/01/4C
Motor current	LCP5	7245 = 16#1C4D	202A/2E	5FB9/82	85/01/2E
Output frequency	rFP5	7255 = 16#1C57	202A/38	5FB9/8B	85/01/38
Motor thermal state	tHP5	7285 = 16#1C75	202A/56	5FB9/A6	85/01/56
Status word	EP5	7215 = 16#1C2F	202A/10	5FB9/67	85/01/10
Extended status word	IP5	7225 = 16#1C39	202A/1A	5FB9/70	85/01/1A
Command word	CMP5	7235 = 16#1C43	202A/24	5FB9/79	85/01/24
Active command channel	dCC5	64305 = 16#FB31		5FBA/26	
Active reference channel	drC5	64315 = 16#FB3B		5FBA/2F	
Active channels	CrP5	7295 = 16#1C7F	202A/60	5FB9/AF	85/01/60
Motor operating time	rtP5	7265 = 16#1C61	202A/42	5FB9/94	85/01/42
Date	Md5	7305 = 16#1C89	202B/6	5FB9/B8	85/01/6A
Time	dM5	7315 = 16#1C93	202B/10	5FB9/C1	85/01/74

Fault n-6

Log	Code	Logic address:	CANopen index:	INTERBUS index:	DeviceNet path:
Fault code	dP6	7206 = 16#1C26	202A/7	5FB9/5F	85/01/07
Power supply voltage	ULP6	7276 = 16#1C6C	202A/4D	5FB9/9E	85/01/4D
Motor current	LCP6	7246 = 16#1C4E	202A/2F	5FB9/83	85/01/2F
Output frequency	rFP6	7256 = 16#1C58	202A/39	5FB9/8C	85/01/39
Motor thermal state	tHP6	7286 = 16#1C76	202A/57	5FB9/A7	85/01/57
Status word	EP6	7216 = 16#1C30	202A/11	5FB9/68	85/01/11
Extended status word	IP6	7226 = 16#1C3A	202A/1B	5FB9/71	85/01/1B
Command word	CMP6	7236 = 16#1C44	202A/25	5FB9/7A	85/01/25
Active command channel	dCC6	64306 = 16#FB32		5FBA/27	
Active reference channel	drC6	64316 = 16#FB3C		5FBA/30	
Active channels	CrP6	7296 = 16#1C80	202A/61	5FB9/B0	85/01/61
Motor operating time	rtP6	7266 = 16#1C62	202A/43	5FB9/95	85/01/43
Date	Md6	7306 = 16#1C8A	202B/7	5FB9/B9	85/01/6B
Time	dM6	7316 = 16#1C94	202B/11	5FB9/C2	85/01/75

Log parameters

Fault n-7

Log	Code	Logic address:	CANopen index:	INTERBUS index:	DeviceNet path:
Fault code	dP7	7207 = 16#1C27	202A/8	5FB9/60	85/01/08
Power supply voltage	ULP7	7277 = 16#1C6D	202A/4E	5FB9/9F	85/01/4E
Motor current	LCP7	7247 = 16#1C4F	202A/30	5FB9/84	85/01/30
Output frequency	rFP7	7257 = 16#1C59	202A/3A	5FB9/8D	85/01/3A
Motor thermal state	tHP7	7287 = 16#1C77	202A/58	5FB9/A8	85/01/58
Status word	EP7	7217 = 16#1C31	202A/12	5FB9/69	85/01/12
Extended status word	IP7	7227 = 16#1C3B	202A/1C	5FB9/72	85/01/1C
Command word	CMP7	7237 = 16#1C45	202A/26	5FB9/7B	85/01/26
Active command channel	dCC7	64307 = 16#FB33		5FBA/28	
Active reference channel	drC7	64317 = 16#FB3D		5FBA/31	
Active channels	CrP7	7297 = 16#1C81	202A/62	5FB9/B1	85/01/62
Motor operating time	rtP7	7267 = 16#1C63	202A/44	5FB9/96	85/01/44
Date	Md7	7307 = 16#1C8B	202B/8	5FB9/BA	85/01/6C
Time	dM7	7317 = 16#1C95	202B/12	5FB9/C3	85/01/76

Fault n-8

Log	Code	Logic address:	CANopen index:	INTERBUS index:	DeviceNet path:
Fault code	dP8	7208 = 16#1C28	202A/9	5FB9/61	85/01/09
Power supply voltage	ULP8	7278 = 16#1C6E	202A/4F	5FB9/A0	85/01/4F
Motor current	LCP8	7248 = 16#1C50	202A/31	5FB9/85	85/01/31
Output frequency	rFP8	7258 = 16#1C5A	202A/3B	5FB9/8E	85/01/3B
Motor thermal state	tHP8	7288 = 16#1C78	202A/59	5FB9/A9	85/01/59
Status word	EP8	7218 = 16#1C32	202A/13	5FB9/6A	85/01/13
Extended status word	IP8	7228 = 16#1C3C	202A/1D	5FB9/73	85/01/1D
Command word	CMP8	7238 = 16#1C46	202A/27	5FB9/7C	85/01/27
Active command channel	dCC8	64308 = 16#FB34		5FBA/29	
Active reference channel	drC8	64318 = 16#FB3E		5FBA/32	
Active channels	CrP8	7298 = 16#1C82	202A/63	5FB9/B2	85/01/63
Motor operating time	rtP8	7268 = 16#1C64	202A/45	5FB9/97	85/01/45
Date	Md8	7308 = 16#1C8C	202B/9	5FB9/BB	85/01/6D
Time	dM8	7318 = 16#1C96	202B/13	5FB9/C4	85/01/77

Identification parameters

Code	Description		
nCVr	Parameter name: Drive nominal rating		
	Logic address:	3020 = 16#0BCC	Type: WORD (listing)
	CANopen index:	2000/15	Read/write: R
	INTERBUS index:	5FB0/0A	Unit: -
	DeviceNet path:	70/01/15	
	0 = nO (Unknown rating)		25 = D55 (55 kW / 75 HP)
	4 = 037 (0.37 kW / 0.5 HP)		26 = D75 (75 kW / 100 HP)
	6 = 075 (0.75 kW / 1 HP)		27 = D90 (90 kW / 125 HP)
	9 = U15 (1.5 kW / 2 HP)		28 = C11 (110 kW / 150 HP)
	11 = U22 (2.2 kW / 3 HP)		29 = C13 (132 kW / 200 HP)
	12 = U30 (3 kW)		30 = C16 (160 kW / 250 HP)
	14 = U40 (4 kW / 5 HP)		31 = C20 (200 kW / 300 HP)
	15 = U55 (5.5 kW / 7.5 HP)		32 = C22 (220 kW / 350 HP)
	16 = U75 (7.5 kW / 10 HP)		33 = C25 (250 kW / 400 HP)
			34 = C28 (280 kW / 450 HP)
		35 = C31 (315 kW / 500 HP)	
		37 = C40 (400 kW / 600 HP)	
		39 = C50 (500 kW / 700 HP)	
		40 = C56 (560 kW)	
		41 = C63 (630 kW)	
		42 = C71 (710 kW)	
		43 = C80 (800 kW)	
		44 = C90 (900 kW)	
		45 = M12 (1200 kW)	
UCAL	Parameter name: Drive voltage		
	Logic address:	3012 = 16#0BC4	Type: WORD (listing)
	CANopen index:	2000/D	Read/write: R
	INTERBUS index:	5FB0/03	Unit: -
	DeviceNet path:	70/01/0D	
	3 = 220 V single-phase (M2)		
4 = 220 V three-phase (M3)			
6 = 480 V three-phase (N4)			
8 = 690 V three-phase (S6)			
InV	Parameter name: Rated drive current		
	Logic address:	3017 = 16#0BC9	Type: UINT
	CANopen index:	2000/12	Read/write: R
	INTERBUS index:	5FB0/07	Unit: 0.1 A
	DeviceNet path:	70/01/12	
UdP	Parameter name: Drive software version		
	Logic address:	3302 = 16#0CE6	Type: UINT
	CANopen index:	2003/3	Read/write: R
	INTERBUS index:	5FB0/0F	Unit: 1
	DeviceNet path:	71/01/67	

Identification parameters

Code	Description		
PAn0	Parameter name:	Device name: characters 1 and 2	
	Logic address:	3340 = 16#0D0C	Type: UINT
	CANopen index:	2003/29	Read/write: R/W
	INTERBUS index:	5FB0/27	Unit:
	DeviceNet path:	71/01/8D	
<p>This parameter can be modified via the graphic display terminal in the [7.1 USER PARAMETERS] menu. If the device is called "Ventilateur 1234", the values of the "device name" parameters are:</p> <p>PAn0 = 16#5665 = "Ve" PAn1 = 16#6E74 = "nt" PAn2 = 16#696C = "il" PAn3 = 16#6174 = "at" PAn4 = 16#6575 = "eu" PAn5 = 16#7220 = "r " PAn6 = 16#3132 = "12" PAn7 = 16#3334 = "34"</p>			
PAn1	Parameter name:	Device name: characters 3 and 4	
	Logic address:	3341 = 16#0D0D	Type: UINT
	CANopen index:	2003/2A	Read/write: R/W
	INTERBUS index:	5FB0/28	Unit:
	DeviceNet path:	71/01/8E	
PAn2	Parameter name:	Device name: characters 5 and 6	
	Logic address:	3342 = 16#0D0E	Type: UINT
	CANopen index:	2003/2B	Read/write: R/W
	INTERBUS index:	5FB0/29	Unit:
	DeviceNet path:	71/01/8F	
PAn3	Parameter name:	Device name: characters 7 and 8	
	Logic address:	3343 = 16#0D0F	Type: UINT
	CANopen index:	2003/2C	Read/write: R/W
	INTERBUS index:	5FB0/2A	Unit:
	DeviceNet path:	71/01/90	
PAn4	Parameter name:	Device name: characters 9 and 10	
	Logic address:	3344 = 16#0D10	Type: UINT
	CANopen index:	2003/2D	Read/write: R/W
	INTERBUS index:	5FB0/2B	Unit:
	DeviceNet path:	71/01/91	
PAn5	Parameter name:	Device name: characters 11 and 12	
	Logic address:	3345 = 16#0D11	Type: UINT
	CANopen index:	2003/2E	Read/write: R/W
	INTERBUS index:	5FB0/2C	Unit:
	DeviceNet path:	71/01/92	

Identification parameters

Code	Description		
PAn6	Parameter name:	Device name: characters 13 and 14	
	Logic address:	3346 = 16#0D12	Type: UINT
	CANopen index:	2003/2F	Read/write: R/W
	INTERBUS index:	5FB0/2CD	Unit:
	DeviceNet path:	71/01/93	
PAn7	Parameter name:	Device name: characters 15 and 16	
	Logic address:	3347 = 16#0D13	Type: UINT
	CANopen index:	2003/30	Read/write: R/W
	INTERBUS index:	5FB0/2E	Unit:
	DeviceNet path:	71/01/94	

CiA402 standard configuration and adjustment parameters

Code	Description		
SMIL	Parameter name:	Minimum speed	
	CiA402 name:	vl velocity min speed	
	DRIVECOM name:	Speed-Min-Amount	
	Logic address:	8607 = 16#219F and 8608 = 16#21A0	Type: UDINT
	CANopen index:	6046/1	Read/write: R/W
	INTERBUS index:	6046/1	Unit: rpm
	DeviceNet path:	8C/01/08	
	Parameter conforming to CiA402 profile 32-bit word (low order: 8607, high order: 8608). High orders always = 0. Writing this parameter also modifies: <ul style="list-style-type: none"> • [Low speed] (LSP) • ODVA low speed limit (LSPd) 		
SMAL	Parameter name:	Maximum speed	
	CiA402 name:	vl velocity max speed	
	DRIVECOM name:	Speed-Max-Amount	
	Logic address:	8609 = 16#21A1 and 8610 = 16#21A2	Type: UDINT
	CANopen index:	6046/2	Read/write: R/W
	INTERBUS index:	6046/2	Unit: rpm
	DeviceNet path:	8C/01/0A	
	Parameter conforming to CiA402 profile 32-bit word (low order: 8609, high order: 8610). High orders always = 0. Writing this parameter also modifies: <ul style="list-style-type: none"> • [High speed] (HSP) • ODVA high speed limit (HSPd) 		
SPAL	Parameter name:	Acceleration speed delta	
	CiA402 name:	vl velocity acceleration/delta speed	
	DRIVECOM name:	Speed-Acceleration/Delta speed	
	Logic address:	8611 = 16#21A3 and 8612 = 16#21A4	Type: UDINT
	CANopen index:	6048/1	Read/write: R/W
	INTERBUS index:	6048/1	Unit: rpm
	DeviceNet path:	8C/01/0C	
	Parameter conforming to CiA402 profile Speed for calculation of acceleration ramp. 32-bit word (low order: 8611, high order: 8612). If writing registers 8611 and 8612 in succession, write register 8611 first, then register 8612. Writing this parameter also modifies: <ul style="list-style-type: none"> • [Acceleration] (ACC) • ODVA acceleration time 		

CiA402 standard configuration and adjustment parameters

Code	Description	
SPAt	Parameter name:	Acceleration time delta
	CiA402 name:	vl velocity acceleration/delta time
	DRIVECOM name:	Speed-Acceleration/Delta time
	Logic address:	8613 = 16#21A5
	CANopen index:	6048/2
	INTERBUS index:	6048/2
DeviceNet path:	8C/01/0E	Type: UINT Read/write: R/W Unit: 1 s
Parameter conforming to CiA402 profile Time for calculation of acceleration ramp (time to go from 0 to delta speed). Writing this parameter also modifies: <ul style="list-style-type: none"> • [Acceleration] (ACC) • ODVA acceleration time 		
SPdL	Parameter name:	Deceleration speed delta
	CiA402 name:	vl velocity deceleration/delta speed
	DRIVECOM name:	Speed-Deceleration/Delta speed
	Logic address:	8614 = 16#21A6 and 8615 = 16#21A7
	CANopen index:	6049/1
	INTERBUS index:	6049/1
DeviceNet path:	8C/01/0F	Type: UDINT Read/write: R/W Unit: rpm
Parameter conforming to CiA402 profile Speed for calculation of deceleration ramp. 32-bit word (low order: 8614, high order: 8615). If writing registers 8614 and 8615 in succession, write register 8614 first, then register 8615. Writing this parameter also modifies: <ul style="list-style-type: none"> • [Deceleration] (DEC) • ODVA deceleration time 		
SPdt	Parameter name:	Deceleration time delta
	CiA402 name:	vl velocity deceleration/delta time
	DRIVECOM name:	Speed-Deceleration/Delta time
	Logic address:	8616 = 16#21A8
	CANopen index:	6049/2
	INTERBUS index:	6049/2
DeviceNet path:	8C/01/11	Type: UINT Read/write: R/W Unit: 1 s
Parameter conforming to CiA402 profile Time for calculation of deceleration ramp (time to go from 0 to delta speed). Writing this parameter also modifies: <ul style="list-style-type: none"> • [Deceleration] (DEC) • ODVA deceleration time 		

CiA402 standard configuration and adjustment parameters

Code	Description		
SPFn	Parameter name:	Speed setpoint factor numerator	
	CiA402 name:	vl setpoint factor numerator	
	DRIVECOM name:	Setpoint-Factor-Numerator	
	Logic address:	8642 = 16#21C2	Type: INT
	CANopen index:	604B/1	Read/write: R/W
	INTERBUS index:	604B/1	Unit: -
	DeviceNet path:	8C/01/2B	Factory setting: 1 Adjustment range: -32768 ... -1; 1 ... 32767
Parameter conforming to CiA402 profile			
SPFd	Parameter name:	Speed setpoint factor denominator	
	CiA402 name:	vl setpoint factor denominator	
	DRIVECOM name:	Setpoint-Factor-Denominator	
	Logic address:	8643 = 16#21C3	Type: INT
	CANopen index:	604B/2	Read/write: R/W
	INTERBUS index:	604B/2	Unit: -
	DeviceNet path:	8C/01/2C	Factory setting: 1 Adjustment range: -32768 ... -1; 1 ... 32767
Parameter conforming to CiA402 profile			
<p>The speed setpoint factor is obtained by the Divisor and Multiplier parameters. These parameters have no unit and can take a value from -32768 to 32767, excluding value 0.</p> <p>The factor is used to modify the resolution or the direction of the setpoint. It is applied to the setpoint, and the references and output values of the speed function only.</p> <p>Setpoint:</p> <p>References and output values:</p>			

CiA402 standard configuration and adjustment parameters

Code	Description	
DOTD	Parameter name: Disable operation option code	
	CiA402 name: Disable operation option code	
	DRIVECOM name:	
	Logic address: 8652 = 16#21CC	Type: WORD (listing)
	CANopen index: 605C/0	Read/write: R/WS
INTERBUS index: 5FBD/82	Factory setting: 0	
DeviceNet path: 8C/01/35		
Parameter conforming to CiA402 profile 0 = Freewheel stop 1 = Stop on ramp		
QSTD	Parameter name: Quick stop option code	
	CiA402 name: Quick stop option code	
	DRIVECOM name:	
	Logic address: 8651 = 16#21CB	Type: WORD (listing)
	CANopen index: 605A/0	Read/write: R/WS
INTERBUS index: 5FBD/81	Factory setting: 6	
DeviceNet path: 8C/01/34		
Parameter conforming to CiA402 profile 2 = Fast stop then transition to "2 - Switch on disabled" state 6 = Fast stop and remaining in "6 - Quick stop active" state		

ODVA standard configuration and adjustment parameters

Code	Description	
ACCd	Parameter name:	ODVA acceleration time
	ODVA name:	AccelTime
	Logic address:	-
	CANopen index:	-
	INTERBUS index:	-
	DeviceNet path:	2A/01/12
	Parameter conforming to ODVA profile. Speed for calculation of acceleration ramp. Writing this parameter also modifies: <ul style="list-style-type: none"> • [Acceleration] (ACC) • CiA402 "vl velocity acceleration/delta speed" (SPAL) and "vl velocity acceleration/delta time" (SPAt) Parameter only accessible via DeviceNet.	
dECd	Parameter name:	ODVA deceleration time
	ODVA name:	DecelTime
	Logic address:	-
	CANopen index:	-
	INTERBUS index:	-
	DeviceNet path:	2A/01/13
	Parameter conforming to ODVA profile. Speed for calculation of deceleration ramp. Writing this parameter also modifies: <ul style="list-style-type: none"> • [Deceleration] (dEC) • CiA402 "vl velocity deceleration/delta speed" (SPdL) and "vl velocity deceleration/delta time" (SPDt) Parameter only accessible via DeviceNet.	
LSPd	Parameter name:	ODVA low speed limit
	ODVA name:	LowSpdLimit
	Logic address:	-
	CANopen index:	-
	INTERBUS index:	-
	DeviceNet path:	2A/01/14
	Parameter conforming to ODVA profile Parameter only accessible via DeviceNet.	
HSPd	Parameter name:	ODVA high speed limit
	ODVA name:	HighSpdLimit
	Logic address:	-
	CANopen index:	-
	INTERBUS index:	-
	DeviceNet path:	2A/01/15
	Parameter conforming to ODVA profile Parameter only accessible via DeviceNet.	

Index of parameter codes

Code	Name	Page
ACCd	ODVA acceleration time	122
AI1C	Physical image of analog input 1	97
AI1r	Standardized image of analog input 1	97
AI2C	Physical image of analog input 2	97
AI2r	Standardized image of analog input 2	97
AI3C	Physical image of analog input 3	97
AI3r	Standardized image of analog input 3	97
AI4C	Physical image of analog input 4	98
AI4r	Standardized image of analog input 4	98
AIU1	[Network AI]	78
AO1C	Physical image of analog output 1	98
AO1r	Standardized image of analog output 1	98
AO2C	Physical image of analog output 2	98
AO2r	Standardized image of analog output 2	99
AO3C	Physical image of analog output 3	99
AO3r	Standardized image of analog output 3	99
APF	"Controller Inside" card fault code	104
CCC	Active command channel	86
CFPS	Active parameter set	67
CFPS	Active parameter set	86
CHA1	Assignment for 2 sets	67
CHA2	Assignment for 3 sets	67
CIC	Incorrect configuration	104
CMd	Control word	74
CMI	Extended control word	76
CMP0	Command word on last fault	108
CMP1	Log	111
CMP2	Log	111
CMP3	Log	112
CMP4	Log	112
CMP5	Log	113

Index of parameter codes

Code	Name	Page
CMP6	Log	113
CMP7	Log	114
CMP8	Log	114
CnF	Network card fault code	104
CNF1	Assignment for 2 configurations	63
CNF2	Assignment for 3 configurations	63
CNFS	[Config. active]	63
CNFS	[Config. Active]	86
CRC	Active reference channel	85
CrPO	Channels active on last fault	109
CrP1	Log	111
CrP2	Log	111
CrP3	Log	112
CrP4	Log	112
CrP5	Log	113
CrP6	Log	113
CrP7	Log	114
CrP8	Log	114
dAY	Date	94
dCC0	Command channel active on last fault	108
dCC1	Log	111
dCC2	Log	111
dCC3	Log	112
dCC4	Log	112
dCC5	Log	113
dCC6	Log	113
dCC7	Log	114
dCC8	Log	114
dECd	ODVA deceleration time	122
dM0	Time on last fault	109
dM1	Log	111
dM2	Log	111

Index of parameter codes

Code	Name	Page
dM3	Log	112
dM4	Log	112
dM5	Log	113
dM6	Log	113
dM7	Log	114
dM8	Log	114
DOTD	Disable operation option code	121
dP0	Fault code on last fault	107
dP1	Log	111
dP2	Log	111
dP3	Log	112
dP4	Log	112
dP5	Log	113
dP6	Log	113
dP7	Log	114
dP8	Log	114
drC0	Reference channel active on last fault	108
drC1	Log	111
drC2	Log	111
drC3	Log	112
drC4	Log	112
drC5	Log	113
drC6	Log	113
drC7	Log	114
drC8	Log	114
EP0	Status word on last fault	107
EP1	Log	111
EP2	Log	111
EP3	Log	112
EP4	Log	112
EP5	Log	113
EP6	Log	113

Index of parameter codes

Code	Name	Page
EP7	Log	114
EP8	Log	114
Errd	CiA402 fault code	100
ETA	Status word	79
ETI	Extended status word	81
FCS	Restore configuration	66
Fdrd	Ethernet fault code	105
Fnb	Fault counter	106
FrH	Frequency reference before ramp	90
FrHd	Speed reference before ramp	90
FrO	Frequency reference after ramp	90
FrOd	Speed reference after ramp	90
FrY	[PARAMETER GROUP LIST]	66
HSPd	ODVA high speed limit	122
IL1r	Logic input map	96
ILF1	Option card 1 fault code	105
ILF2	Option card 2 fault code	105
InV	Rated drive current	115
IP0	Extended status word on last fault	108
IP1	Log	111
IP2	Log	111
IP3	Log	112
IP4	Log	112
IP5	Log	113
IP6	Log	113
IP7	Log	114
IP8	Log	114
IPHr	[Consumption]	92
IPr	[Input Power]	92
LCP0	Motor current on last fault	107
LCP1	Log	111
LCP2	Log	111

Index of parameter codes

Code	Name	Page
LCP3	Log	112
LCP4	Log	112
LCP5	Log	113
LCP6	Log	113
LCP7	Log	114
LCP8	Log	114
LCr	Motor current	89
LFR	Frequency reference	77
LFRD	Speed reference	77
LFt	Altivar fault code	102
LRS1	Extended status word 1	81
LRS2	Extended status word 2	82
LRS3	Extended status word 3	82
LRS4	Extended status word 4	83
LRS5	Extended status word 5	83
LRS6	Extended status word 6	84
LRS7	Extended status word 7	84
LRS8	Extended status word 8	85
LSPd	ODVA low speed limit	122
Md0	Date on last fault	109
Md1	Log	111
Md2	Log	111
Md3	Log	112
Md4	Log	112
Md5	Log	113
Md6	Log	113
Md7	Log	114
Md8	Log	114
MFr	Multiplying coefficient	78
nCVr	Drive nominal rating	115
OL1r	Logic output map	96
OPr	Motor power	89

Index of parameter codes

Code	Name	Page
Otr	Output torque	88
PAn0	Device name: characters 1 and 2	116
PAn1	Device name: characters 3 and 4	116
PAn2	Device name: characters 5 and 6	116
PAn3	Device name: characters 7 and 8	116
PAn4	Device name: characters 9 and 10	116
PAn5	Device name: characters 11 and 12	116
PAn6	Device name: characters 13 and 14	117
PAn7	Device name: characters 15 and 16	117
PEt	[Proc. Operat. Time]	95
PISP	PID regulator reference	78
PtH	Total drive operating time	94
PUC	Pulse counter	99
QSTD	Quick stop option code	121
rFP0	Output frequency on last fault	107
rFP1	Log	111
rFP2	Log	111
rFP3	Log	112
rFP4	Log	112
rFP5	Log	113
rFP6	Log	113
rFP7	Log	114
rFP8	Log	114
rFr	Output frequency	87
rFrd	Output speed	87
rPC	PID reference after ramp	91
rPE	PID regulator discrepancy	91
rPF	PID regulator feedback reference	91
rPO	PID regulator limit output reference	91
rtH	Total motor operating time	94
rtHI	Internal motor operating time	94
rtP0	Motor operating time on last fault	109

Index of parameter codes

Code	Name	Page
rtP1	Log	111
rtP2	Log	111
rtP3	Log	112
rtP4	Log	112
rtP5	Log	113
rtP6	Log	113
rtP7	Log	114
rtP8	Log	114
SCS	Save configuration	66
SMAL	Maximum speed	118
SMIL	Minimum speed	118
SPAL	Acceleration speed delta	118
SPAt	Acceleration time delta	119
SPdL	Deceleration speed delta	119
SPdt	Deceleration time delta	119
SPFd	Speed setpoint factor denominator	120
SPFn	Speed setpoint factor numerator	120
tAC	IGBT alarm time	94
tHb	DBR thermal state	93
tHd	Drive thermal state	93
tHP0	Motor thermal state on last fault	107
tHP1	Log	111
tHP2	Log	111
tHP3	Log	112
tHP4	Log	112
tHP5	Log	113
tHP6	Log	113
tHP7	Log	114
tHP8	Log	114
tHr	Motor thermal state	93
tIME	Time	94
UCAL	Drive voltage	115

Index of parameter codes

Code	Name	Page
UdP	Drive software version	115
ULn	Power supply voltage	92
ULP0	Power supply voltage on last fault	107
ULP1	Log	111
ULP2	Log	111
ULP3	Log	112
ULP4	Log	112
ULP5	Log	113
ULP6	Log	113
ULP7	Log	114
ULP8	Log	114
UNT	Units of parameters APH, PTH, RTH and RTHI	89
UOP	Motor voltage	89
VAL	Load parameter set command	71

Index of parameter codes
