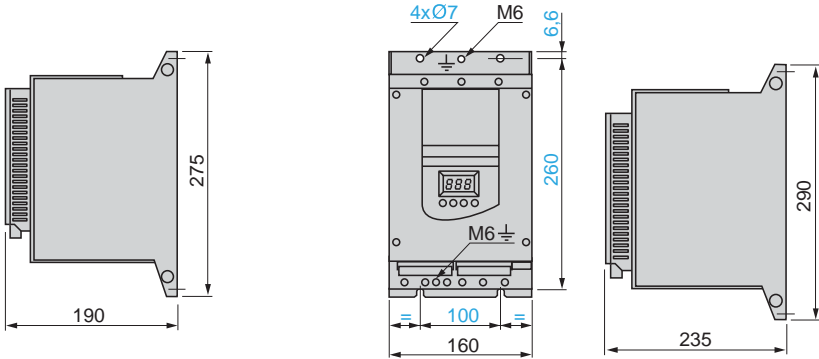


Soft starters

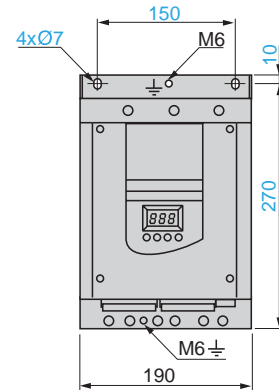
Altistart 48 soft start - soft stop units

ATS 48D17● to ATS 48D47●



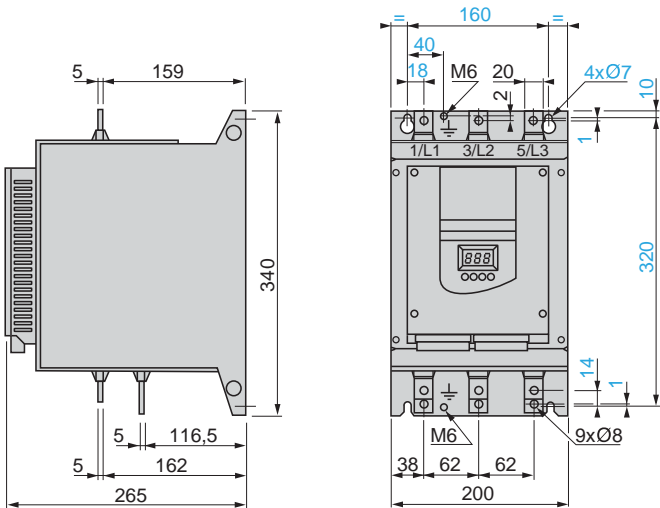
Maximum connection capacity:
 Earth connections: 10 mm² (AWG 8)
 Power terminals: 16 mm² (AWG 8)

ATS 48D62● to ATS 48C11●



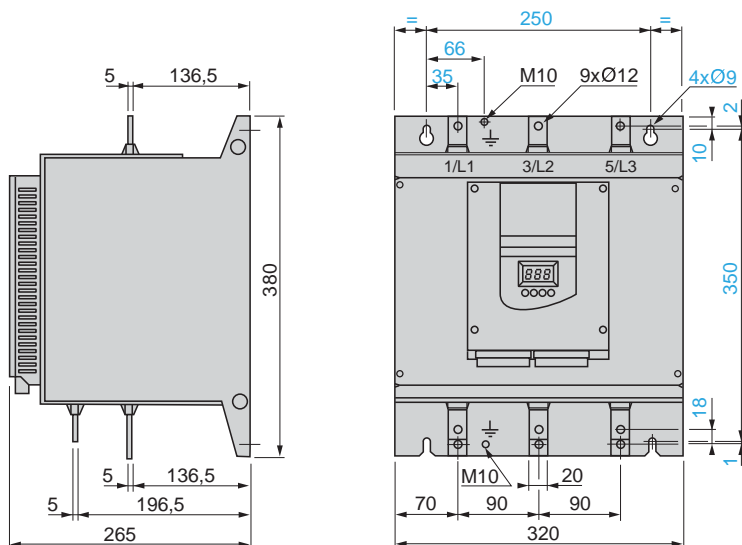
Maximum connection capacity:
 Earth connections: 16 mm² (AWG 4)
 Power terminals: 50 mm² (AWG 2/0)

ATS 48C14● to ATS 48C17●



Maximum connection capacity:
 Earth connections: 120 mm² (busbar)
 Power terminals: 95 mm² (AWG 2/0)

ATS 48C21● to ATS 48C32●

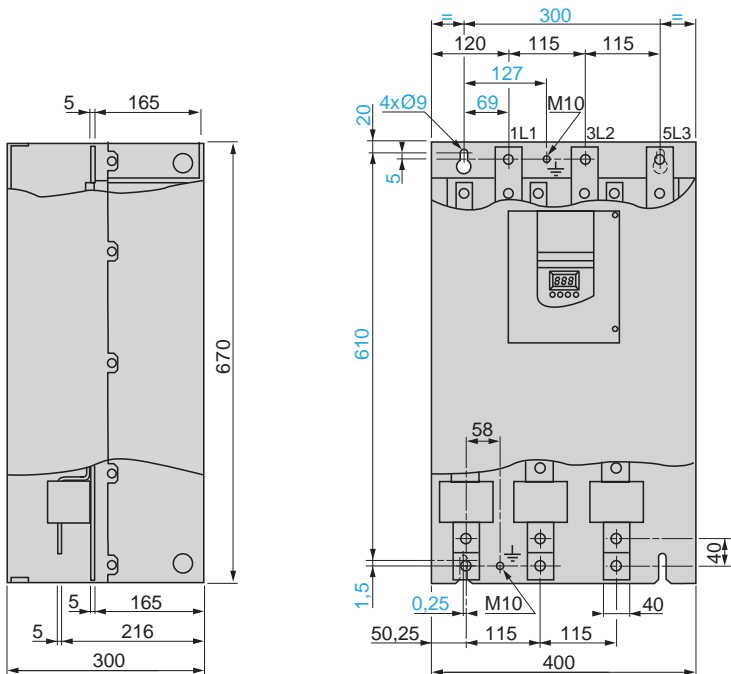


Maximum connection capacity:
 Earth connections: 120 mm² (busbar)
 Power terminals: 240 mm² (busbar)

Soft starters

Altistart 48 soft start - soft stop units

ATS 48C41 to C66



Maximum connection capacity:

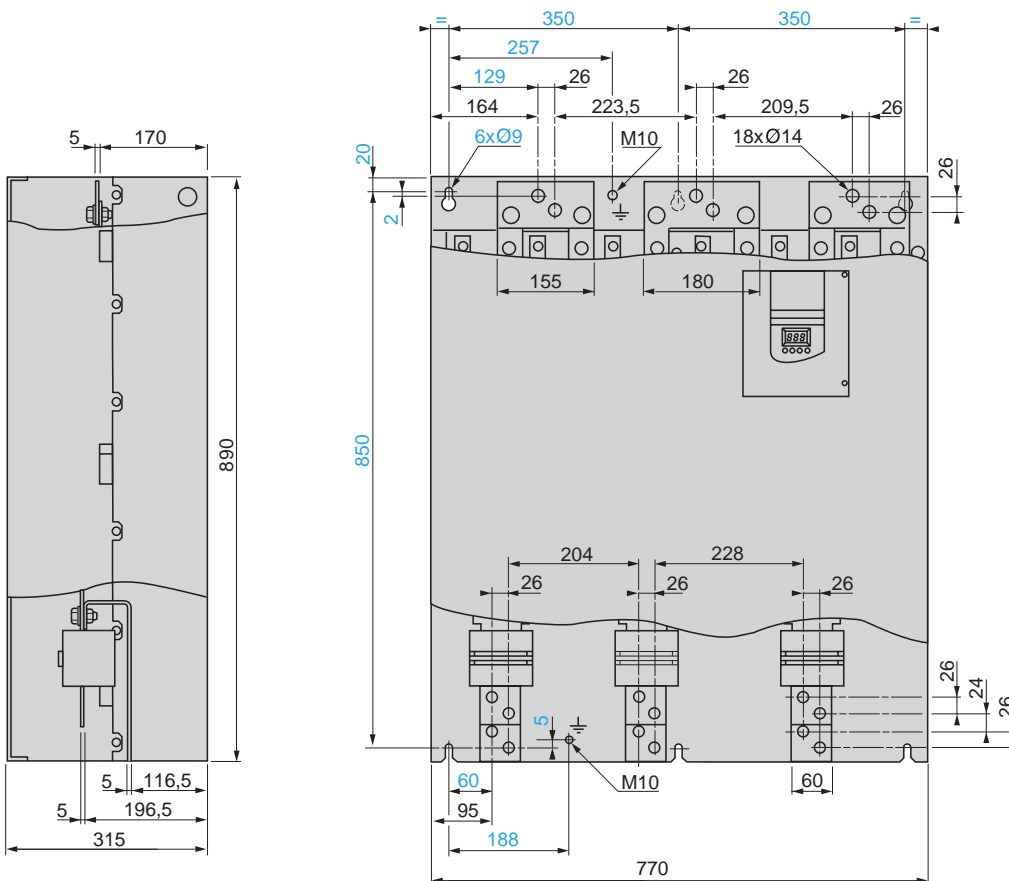
Earth connections:

240 mm² (busbar)

Power terminals:

2 x 240 mm² (busbar)

ATS 48C79 to M12



Maximum connection capacity:

Earth connections:

2 x 240 mm² (busbar)

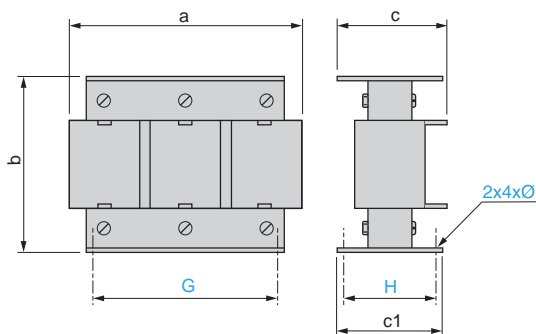
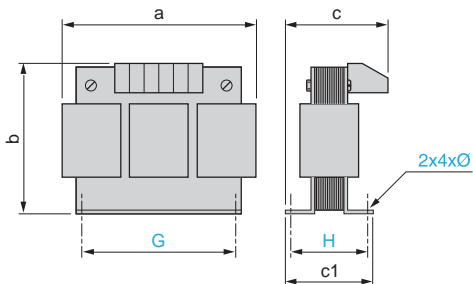
Power terminals:

4 x 240 mm² (busbar)

Chokes

VZ1-L015UM17T to L070U350T

VZ1-L150U170T to LM14U016T



| VZ1- | a | b | c | c1 | G | H | Ø |
|-----------|-----|-----|-----|-----|----------|----|---|
| L015UM17T | 120 | 150 | 80 | 75 | 60/80.5 | 52 | 6 |
| L030U800T | 150 | 180 | 120 | 100 | 75/106.5 | 76 | 7 |
| L040U600T | 180 | 215 | 130 | 100 | 85/122 | 76 | 7 |
| L070U350T | 180 | 215 | 150 | 130 | 85/122 | 97 | 7 |

| VZ1- | a | b | c | c1 | G | H | Ø |
|-----------|-----|-----|-----|-----|---------|-----|------|
| L150U170T | 270 | 240 | 170 | 140 | 105/181 | 96 | 11.5 |
| L250U100T | 270 | 240 | 220 | 160 | 105/181 | 125 | 11.5 |
| L325U075T | 270 | 240 | 240 | 175 | 105/181 | 138 | 11.5 |
| L530U045T | 380 | 410 | 225 | 140 | 310 | 95 | 9 |
| LM10U024T | 400 | 410 | 310 | 170 | 310 | 125 | 9 |
| LM14U016T | 420 | 490 | 340 | 170 | 310 | 125 | 9 |

Mounting the remote terminal

VW3 G48101

